

- NOTES :
- MATERIAL :
 - HOUSING:LCP UL94 V-0, BLACK COLOR.
 - SHELL: STAINLESS STEEL
 - CONTACT: COPPER ALLOY
 - FINISH :
 - CONTACT: CONTACT AREA SEE PART.NO, MATTE TIN 80u"MIN ON SOLDER TAIL AREA. 50u" MIN NICKEL PLATING OVERALL.
 - SHELL: 30u" MIN NICKEL PLATING OVERALL.
 - ELECTRICAL CHARACTERISTICS:
 - OPERATING VOLTAGE : 100V AC(rms)/DC.
 - CURRENT RATING : 0.5 A.
 - OPERATING TEMPERATURE: -25°C~+85°C.
 - CONTACT RESISTANCE: 100 m OHMS MAX.
 - INSULATION RESISTANCE: 1000M OHMS MIN. AT 250VDC.
 - DIELECTRIC WITHSTANDING VOLTAGE:500 VAC/1MINUTE.

PIN ASSIGNMENT

PIN NO.	MICRO SD EXPRESS CARD
P1	MICRO SD DAT2/CLKREQ#
P2	MICRO SD CD/DAT3/PERST#
P3	MICRO SD CMD
P4	MICRO SD V _{DD1}
P5	MICRO SD CLK
P6	MICRO SD V _{SS}
P7	MICRO SD DAT0/REFCLK+
P8	MICRO SD DAT1/REFCLK-
P9	MICRO SD CD
P10	GND
P11	GND
P12	GND
P13	GND
P14	MICRO SD V _{DD2}
P15	MICRO SD VDD3
P16	MICRO SD V _{SS}
P17	MICRO SD PCIe TX+
P18	MICRO SD PCIe TX-
P19	MICRO SD V _{SS}
P20	MICRO SD PCIe Rx-
P21	MICRO SD PCIe Rx+
P22	MICRO SD V _{SS}

OPENING/CLOSE OF SWITCH

	CARD DETECT SWITCH
CARD UNINSERTION	OPEN
CARD HALF INSERTION	OPEN
CARD INSERTION	CLOSE
N/O	

PROPRIETARY NOTE:
This document contains confidential information and proprietary to Rego Electronics and shall not be reproduced or disclosed to other documents or used for any purpose other than that for which was obtained without the expressed written consent of Rego Electronics.

.X ± 0.30	APPROVED: Chris	
.XX ± 0.20	CHECKED: Andy	
.XXX ± 0.15	DRAWN: Vic	
X* ± 3°		
UNITS: mm	SCALE: NONE	TITLE: Micro SD 7.1 Push-Push Type H:2.525
PART NO: 9177MSD7-F00001		SHEET: 2 OF 3

A	25.2.2022
REV	DATE

A

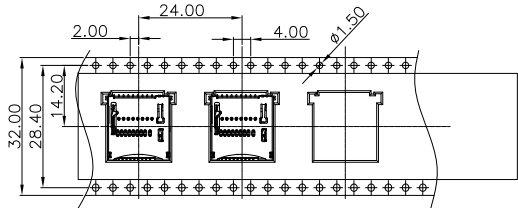
PACKAGING

A

包裝作業圖示及說明 (PACKING OPERATION DIAGRAM & INSTRUCTION)

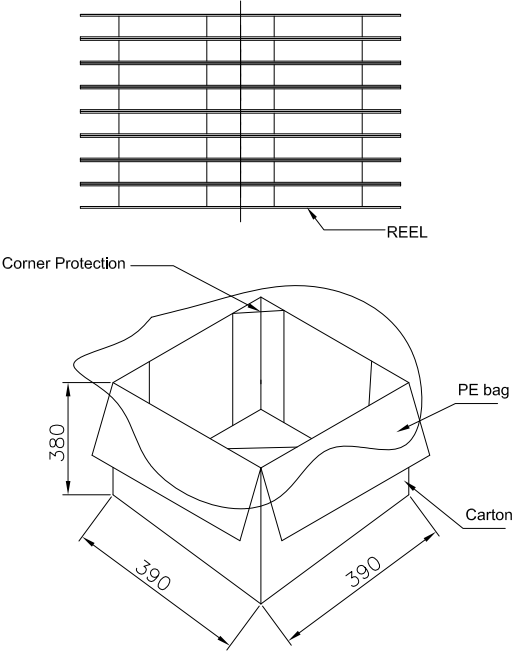
One.

- Put MicroSD inot REEL in the same direction.
- Packed as shown below.
- 800pcs/ Reel .



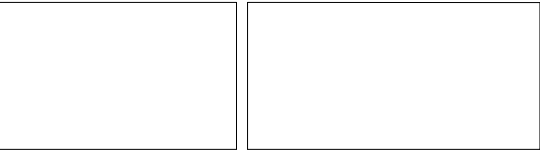
Three.

- 800pcs/ Reel; 10 reels/ Carton.
- 8000pcs/Carton.



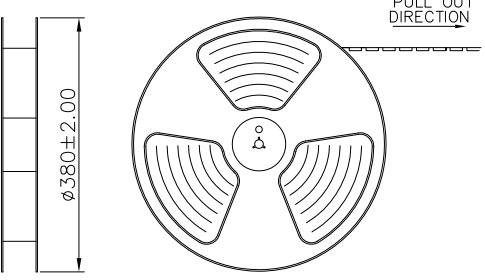
Four.

- Seal carton with tape.



Two.

- Reserve 15pcs empty space in both ends of reel as pull-out release,
- Full REEL packaging as below.



備註 (REMARK)

- If the carton is not full, it needs to be filled with protective material.

B

B

C

C

D

D


E

E

F

F

A	25.2.2022
REV	DATE

<p>PROPRIETARY NOTE: This document contains confidential information and proprietary to Rego Electronics and shall not be reproduced or disclosed to other documents or used for any purpose other than that for which was obtained without the expressed written consent of Rego Electronics.</p>			
.X ± 0.30	APPROVED: Chris	 http://www.rego.com.tw	<p>TITLE: Micro SD 7.1 Push-Push Type H:2.525</p>
.XX ± 0.20	CHECKED: Andy		
.XXX ± 0.15	DRAWN: Vic		
X° ± 3°	UNITS: mm	SCALE: NONE	<p>PART NO: 9177MSD7-F00001</p> <p>SHEET: 3 OF 3</p>