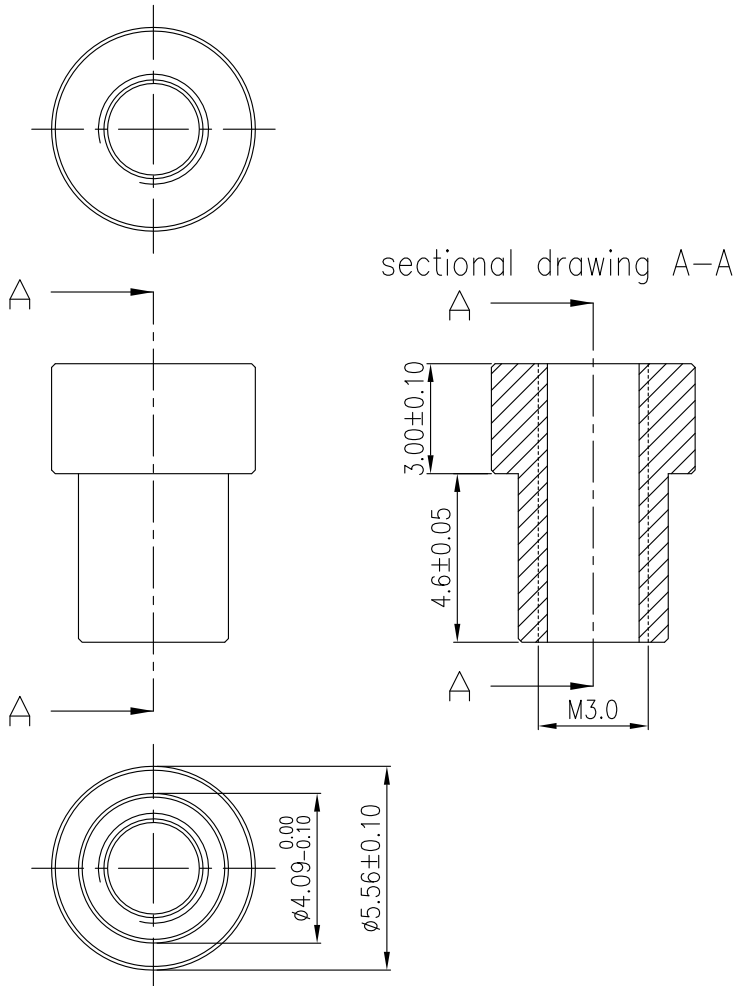
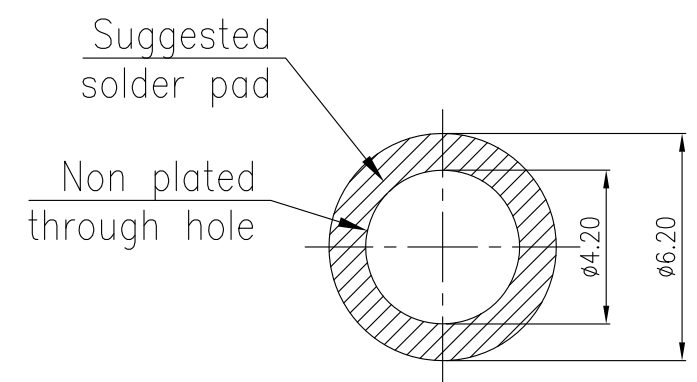


1 2 3 4 5 6 7 8 9 10

A
B
C
D
E
F

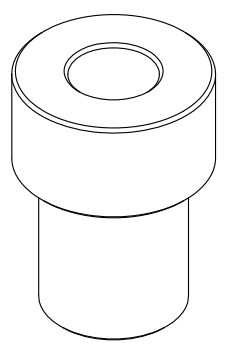
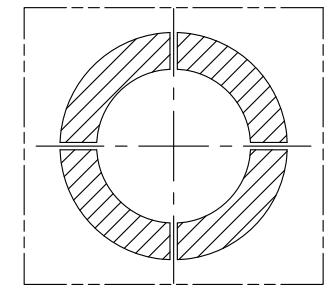


Recommended land pattern:


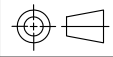


Stencil suggestion:

Stencil Example



NOTES:
 1. MATEREAL
 1-1.BRASS.
 1-2.FINISH:NICKEL(30~150u'')UNDERPLATING
 ALL OVER BASE MATERIAL.
 MATTE TIN(40~80u'') PLATING
 OVER UNDERPLATE.

PROPRIETARY NOTE: This document contains confidential information and proprietary to Rego Electronics and shall not be reproduced or disclosed to other documents or used for any purpose other than that for which was obtained without the expressed written consent of Rego Electronics.			
.X ± 0.30	APPROVED:	 http://www.rego.com.tw	TITLE: Stand Off 5.56x7.60mm M3 (3.0H)
.XX ± 0.20	CHECKED:		
.XXX ± 0.15	DRAWN:		
X° ± 3'			
	UNITS:	SCALE:	PART NO:
	mm	NONE	S0-M30H30D556
			SHEET: 1 of 1

A	03.12.2018
REV	DATE

1 2 3 4 5 6 7 8 9 10