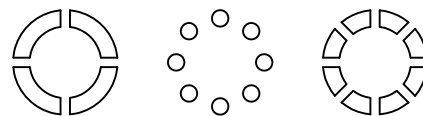
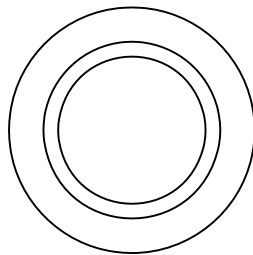
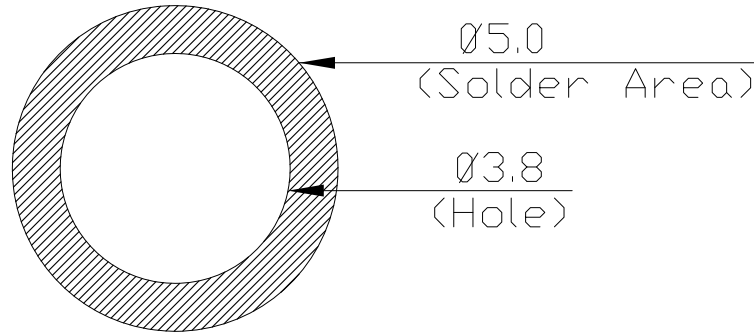
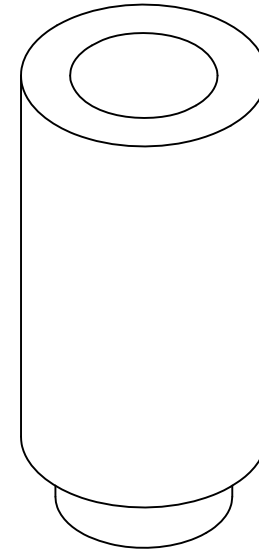
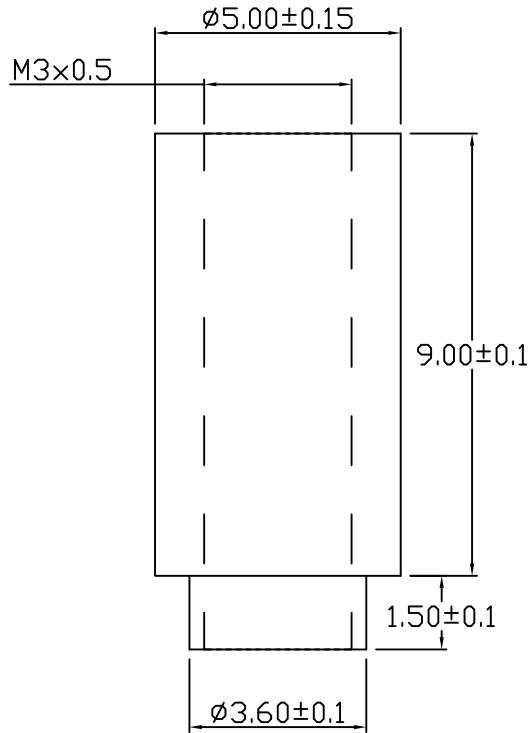


NOTES :


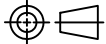
- 1 . Material : C3604
- 2 . The tolerance is ± 0.1 mm
- 3 . Dimension : 9.0(H)X5.0(ϕ)XM3.0
- 4 . Plated : Sn Plated



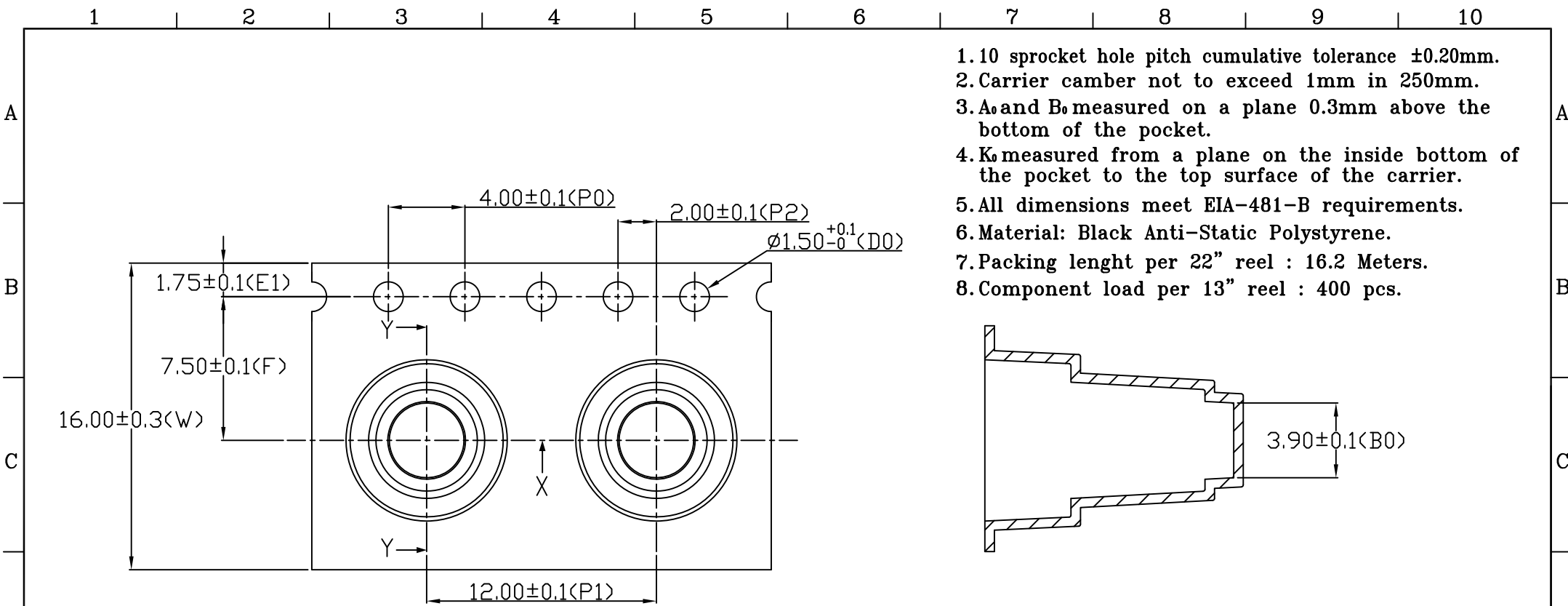
Stencil Masking Examples

PROPRIETARY NOTE:

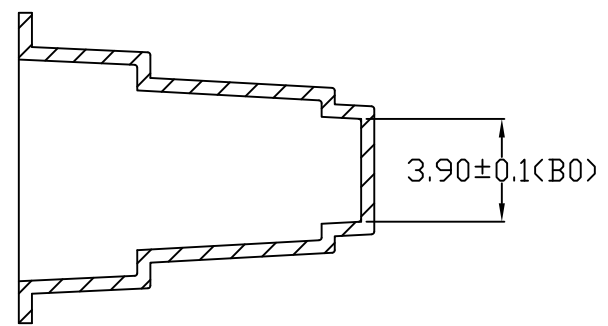
This document contains confidential information and proprietary to Rego Electronics and shall not be reproduced or disclosed to other documents or used for any purpose other than that for which was obtained without the expressed written consent of Rego Electronics.

.X ± 0.30	APPROVED: Chris	 http://www.rego.com.tw
.XX ± 0.20	CHECKED: Andy	
.XXX ± 0.15	DRAWN: Vic	
X* ± 3		
	UNITS: mm	SCALE: NONE
PART NO: SO-M30H90D500		SHEET: 1 OF 2

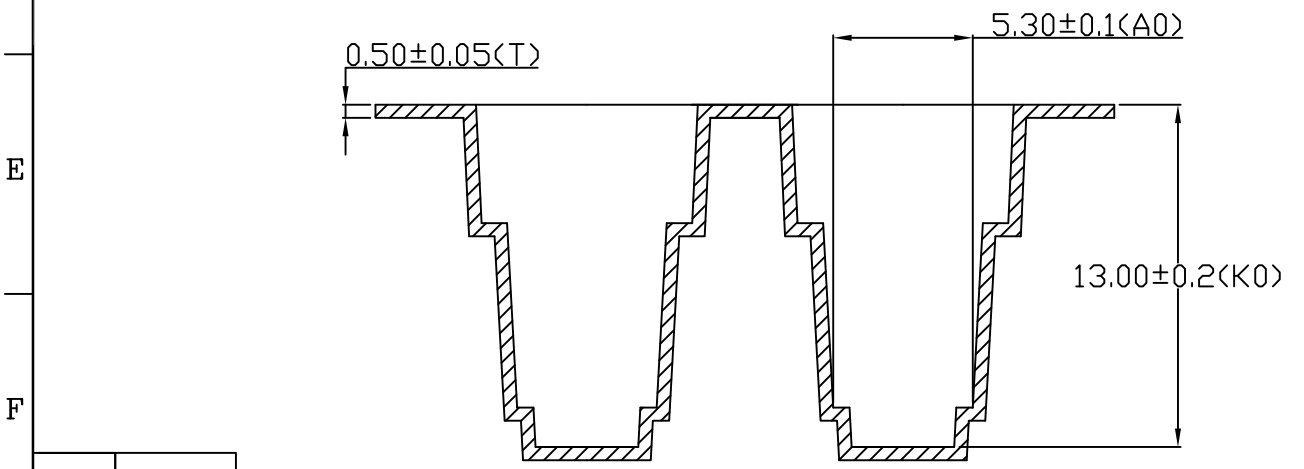
A	05.11.2019
REV	DATE



1. 10 sprocket hole pitch cumulative tolerance ± 0.20 mm.
2. Carrier camber not to exceed 1mm in 250mm.
3. A₀ and B₀ measured on a plane 0.3mm above the bottom of the pocket.
4. K₀ measured from a plane on the inside bottom of the pocket to the top surface of the carrier.
5. All dimensions meet EIA-481-B requirements.
6. Material: Black Anti-Static Polystyrene.
7. Packing length per 22" reel : 16.2 Meters.
8. Component load per 13" reel : 400 pcs.


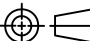


SECTION Y-Y



SECTION X-X

1	26.05.1999
REV	DATE

PROPRIETARY NOTE: This document contains confidential information and proprietary to Rego Electronics and shall not be reproduced or disclosed to other documents or used for any purpose other than that for which was obtained without the expressed written consent of Rego Electronics.			
.X ± 0.30	APPROVED: Chris	 http://www.rego.com.tw	
.XX ± 0.20	CHECKED: Andy		
.XXX ± 0.15	DRAWN: Vic		
X* $\pm 3'$			
	UNITS: mm	SCALE: NONE	TITLE: Stand Off $\phi 5.00 \times 10.50$ mm (H:9.0) PART NO: SO-M30H90D500 SHEET: 2 OF 2