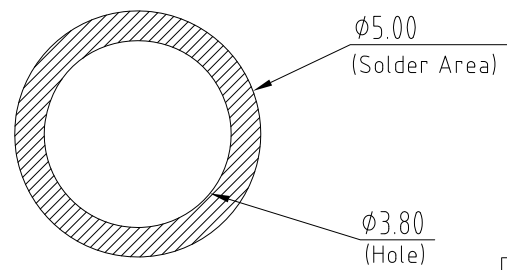
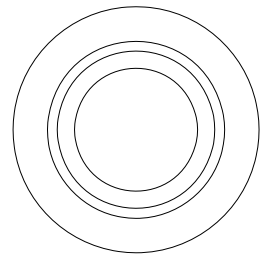
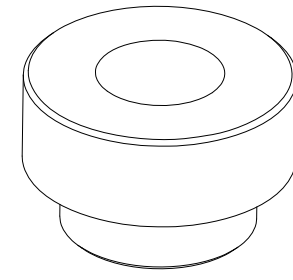
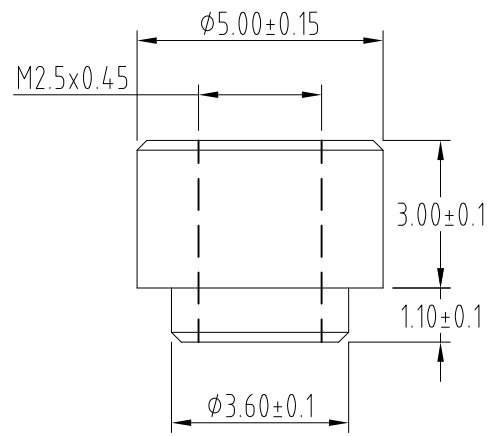




1 2 3 4 5 6 7 8 9 10

A
B
C
D
E
F

NOTE :
 1.Material: Cu
 2.Plate : Tin
 3.The surface should be clean
 4.Dimension : 3.0(H)-5.0(φ)-M2.5



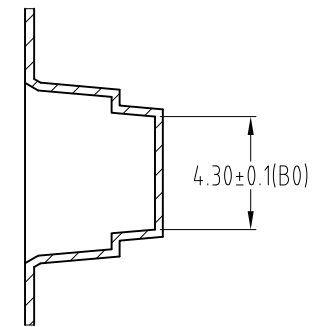
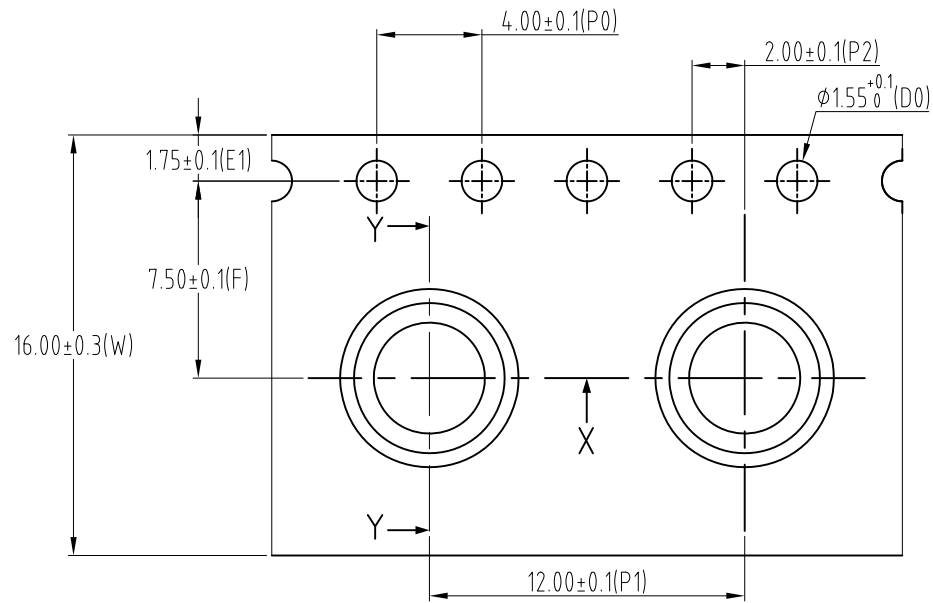
PROPRIETARY NOTE: This document contains confidential information and proprietary to Rego Electronics and shall not be reproduced or disclosed to other documents or used for any purpose other than that for which was obtained without the expressed written consent of Rego Electronics.			
.X ± 0.30	APPROVED:	Chris	 http://www.rego.com.tw
.XX ± 0.20	CHECKED:	Andy	
.XXX ± 0.15	DRAWN:	Vic	
X° ± 3'			
	UNITS:	SCALE:	TITLE: Stand Off $\phi 5.00 \times 4.10\text{mm}$ (H:3.0)
	mm	NONE	PART NO: SO-M25H30D500
			SHEET: 1 OF 2

A	05.11.2019
REV	DATE

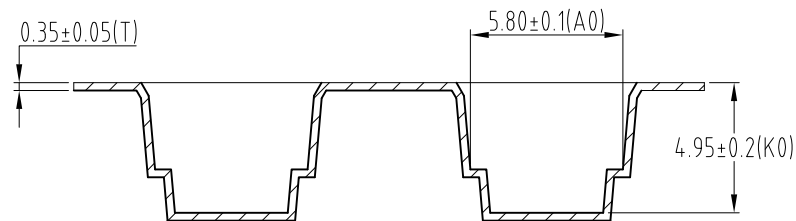
1 2 3 4 5 6 7 8 9 10

REMARK :

Component load per 13" reel : 1000 pcs.
 Packing length per 22" reel : 42 Meters.




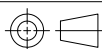
SECTION Y-Y



SECTION X-X

PROPRIETARY NOTE:

This document contains confidential information and proprietary to Rego Electronics and shall not be reproduced or disclosed to other documents or used for any purpose other than that for which was obtained without the expressed written consent of Rego Electronics.

.X ± 0.30	APPROVED: Chris	 http://www.rego.com.tw TITLE: Stand Off $\phi 5.00 \times 4.10$ mm (H:3.0)
.XX ± 0.20	CHECKED: Andy	
.XXX ± 0.15	DRAWN: Vic	
X° ± 3'		
 UNITS: mm SCALE: NONE	PART NO: SO-M25H30D500	SHEET: 2 OF 2

ØA	18.11.2009
REV	DATE