

NOTE:

RG150008-HS006GX02ZX

- 1.H: FEMALE HALOGEN FREE  
2. PLATING

- G1-5u" GOLD OVER 50U"MIN NICKEL.  
G2-GOLD FLASH OVER 50U"MIN NICKEL.  
G3-10u" GOLD OVER 50U"MIN NICKEL.  
G4-15u" GOLD OVER 50U"MIN NICKEL.  
G5-30u" GOLD OVER 50U"MIN NICKEL.

3. MECHANICAL CHARACTERISTICS:

- 3-1. INSERTION FORCE:0.03~0.18KgF PER PIN WHEN MATTING 1~100 CYCLES,  
0.03~0.25KgF PER PIN WHEN MATTING 101~5000 CYCLES.  
3-2. EXTRACTION FORCE:0.02~0.15KgF PER PIN WHEN MATTING 1~100 CYCLES,  
0.02~0.20KgF PER PIN WHEN MATTING 101~5000 CYCLES.

4. ELECTRICAL CHARACTERISTICS:

- 4-1. RATING: DC 30V/7A(PER PIN).  
4-2. CONTACT RESISTANCE: 20 milliohms Max. INITIAL.  
4-3. DIELECTRIC WITHSTANDING VOLTAGE:  
500 VOLTS DC FOR 1 MINUTE.  
4-4. INSULATION RESISTANCE:  
1000 MEGA OHMS MINIMUM INITIAL.


5. PACKAGE INFORMATION

P/NO	PACKAGE
RG150008-HS006GX02ZA	TRAY PACKAGE WITHOUT CAP
RG150008-HS006GX02ZR	REEL PACKAGE WITH Marly

NO.	DESCRIPTION	MATERIAL	COLOR	REMARK
3				
2	TERMINAL	COPPER ALLOY	—	GOLD/MATTE PLATED
1	PLASTIC	HIGH TEMP PLASTIC	BLACK	UL94V-0

PROPRIETARY NOTE:

This document contains confidential information and proprietary to Rego Electronics and shall not be reproduced or disclosed to other documents or used for any purpose other than that for which was obtained without the expressed written consent of Rego Electronics.

.X ± 0.30	APPROVED: Chris	 <a href="http://www.rego.com.tw">http://www.rego.com.tw</a>
.XX ± 0.20	CHECKED: Andy	
.XXX ± 0.15	DRAWN: Vic	
X* ± 3'		
UNITS: mm	SCALE: NONE	TITLE: 1.50mm PITCH BATTERY FEMALE CONN
		PART NO:RG150008-HS006GX02ZX
		SHEET: 1 OF 5

PA	16.5.2020
REV	DATE

1 2 3 4 5 6 7 8 9 10

PACKAGE INFORMATION

PART NUMBER	Q'TY PER TRAY	PACKING TRAY IN ONE OUTER CARTON	Q'TY PER BOX
RG150008-HS006GX02ZA	119 PCS	21	2499PCS

NOTE: ALL DIMENSIONS TOLERANCE ARE:

1.  $\pm 0.25\text{mm}$  UNLESS OTHERWISE NOTED.
2. THE OUTER BOX USED FOR PACKAGING IS: OC0135;14 TRAYS PER BOX

A

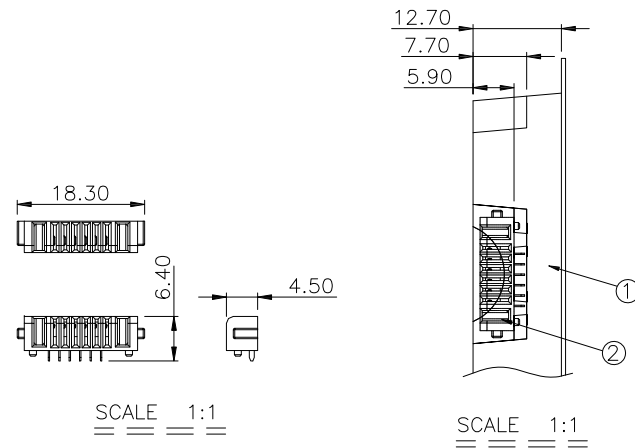
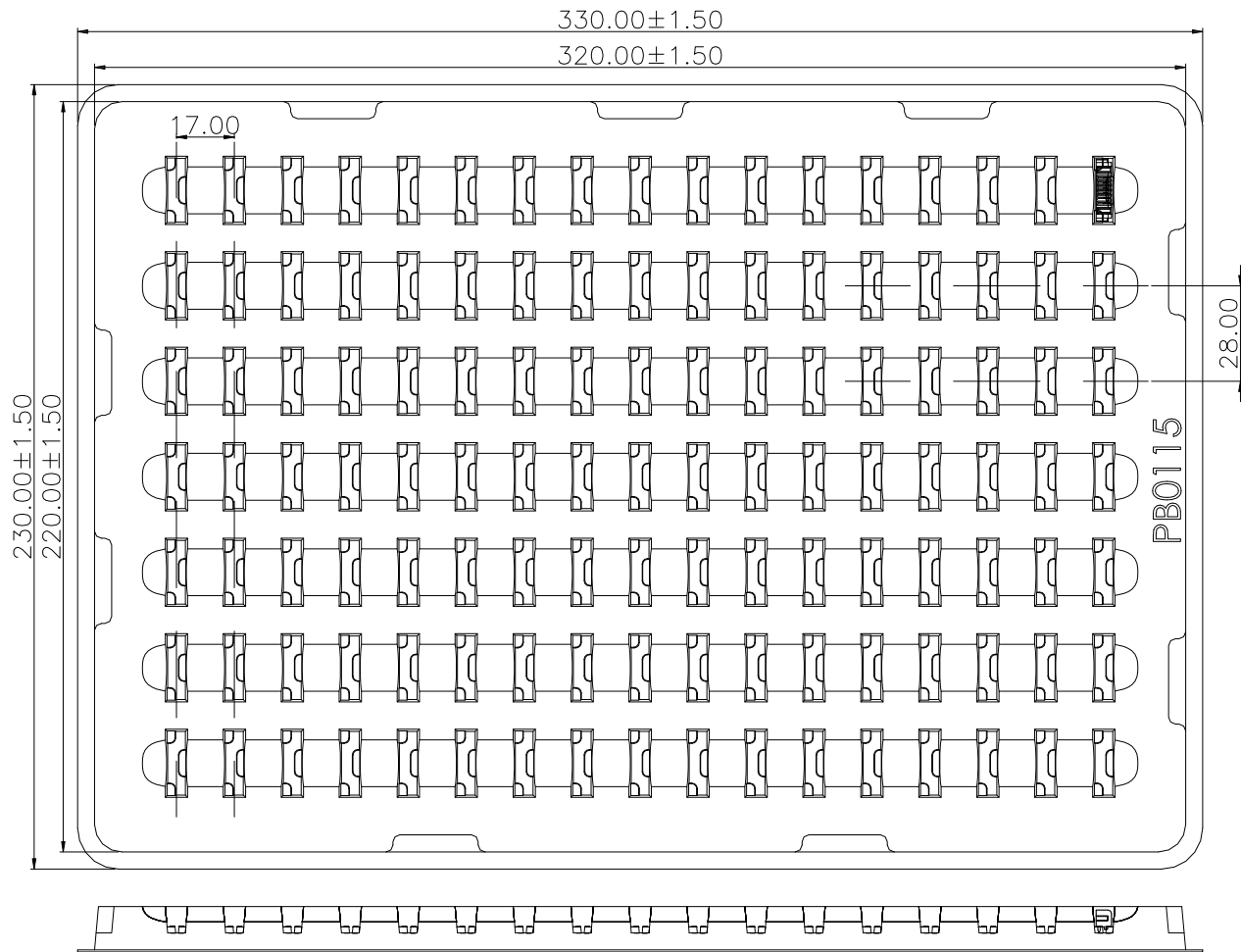
B

C

D

E


F



3				
2	PRODUCT	---	---	RG150008-HS006GX02ZX
1	TRAY	PVC	TRANS	PB0115
	NO. DESCRIPTION	MATERIAL	COLOR	REMARK

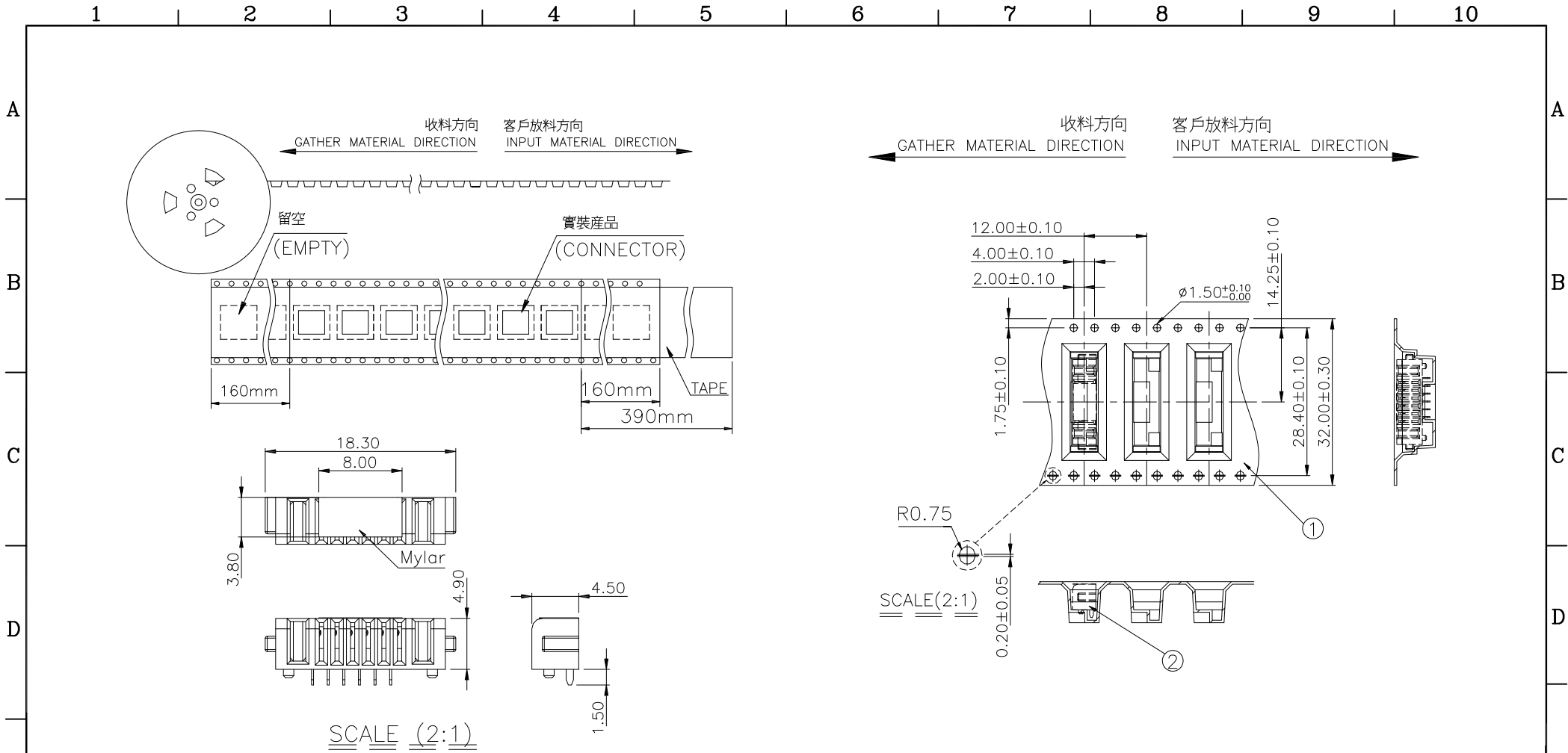
PROPRIETARY NOTE:

This document contains confidential information and proprietary to Rego Electronics and shall not be reproduced or disclosed to other documents or used for any purpose other than that for which was obtained without the expressed written consent of Rego Electronics.

.X $\pm 0.30$	APPROVED: Chris	 <a href="http://www.rego.com.tw">http://www.rego.com.tw</a>
.XX $\pm 0.20$	CHECKED: Andy	
.XXX $\pm 0.15$	DRAWN: Vic	
X* $\pm 3^*$		
UNITS: mm	SCALE: NONE	TITLE: 1.50mm PITCH BATTERY FEMALE CONN
		PART NO: RG150008-HS006GX02ZX
		SHEET: 2 OF 5

PA	16.5.2020
REV	DATE

1 2 3 4 5 6 7 8 9 10


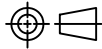


① PACKAGE INFORMATION

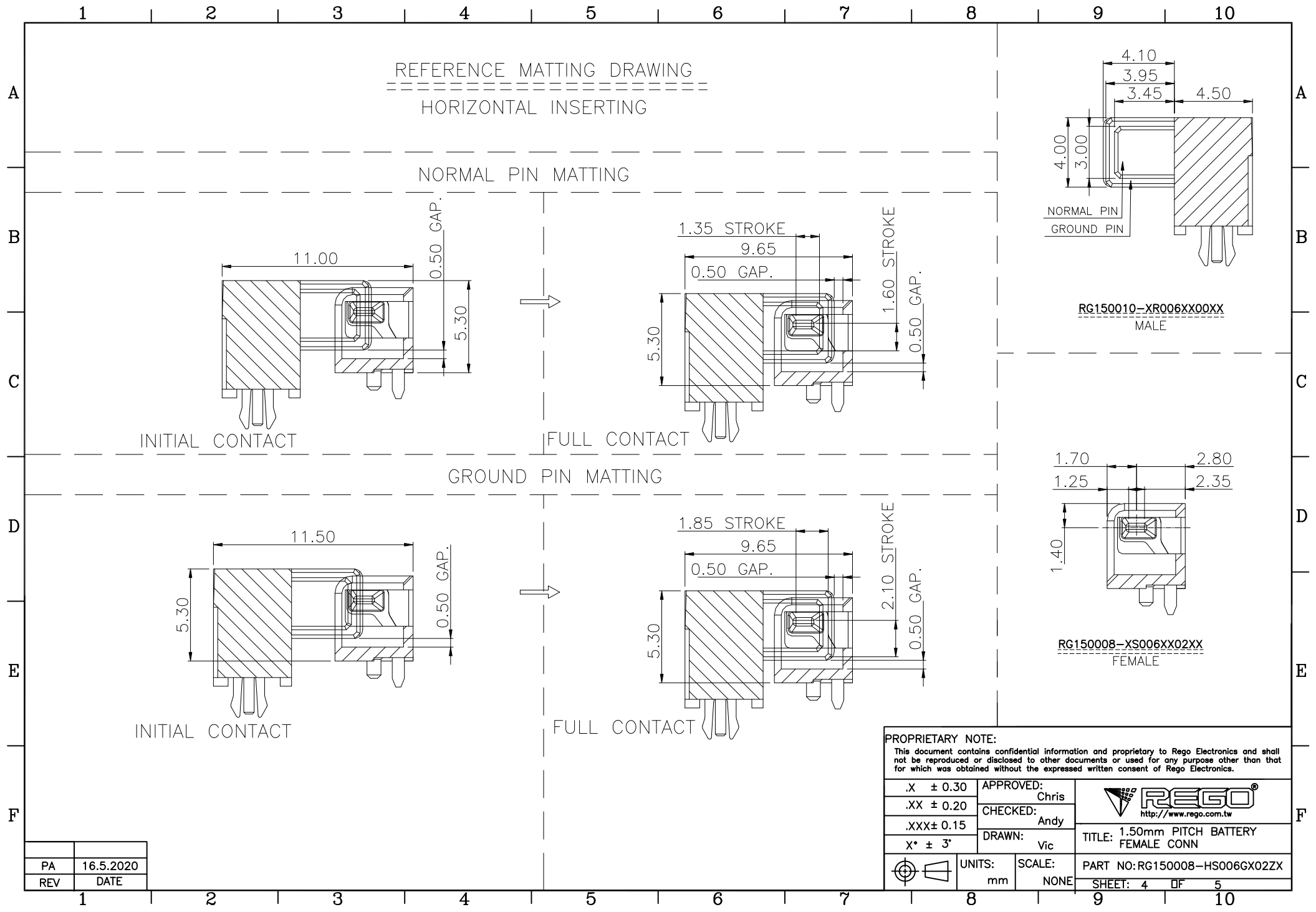
PART NUMBER	Q'TY PER REEL	PACKING TRAY IN ONE OUTER CARTON	Q'TY PER BOX
RG150008-HS006GX02ZR	700PCS	10 R	7000 PCS

② NOTE: ALL DIMENSIONS TORLERANCE ARE:


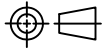
1.  $\pm 0.25\text{MM}$  UNLESS OTHERWISE NOTED.
2. COMPONENT LOAD BY 13" REEL.
3. THE OUTER BOX USED FOR PACKAGING IS:OC0137

3				
2	PRODUCT			RG150008-HS006GX02ZR
1	REEL	PS	BLACK	IPR1182-006-02
	NO. DESCRIPTION	MATERIAL	COLOR	REMARK
<b>PROPRIETARY NOTE:</b> This document contains confidential information and proprietary to Rego Electronics and shall not be reproduced or disclosed to other documents or used for any purpose other than that for which was obtained without the expressed written consent of Rego Electronics.				
.X $\pm 0.30$	APPROVED:	 <a href="http://www.rego.com.tw">http://www.rego.com.tw</a> TITLE: 1.50mm PITCH BATTERY FEMALE CONN		
.XX $\pm 0.20$	CHECKED:			
.XXX $\pm 0.15$	DRAWN:			
X* $\pm 3^*$				
	UNITS:	SCALE:	PART NO:RG150008-HS006GX02ZX	
	mm	NONE	SHEET: 3 OF 5	

PA	16.5.2020
REV	DATE

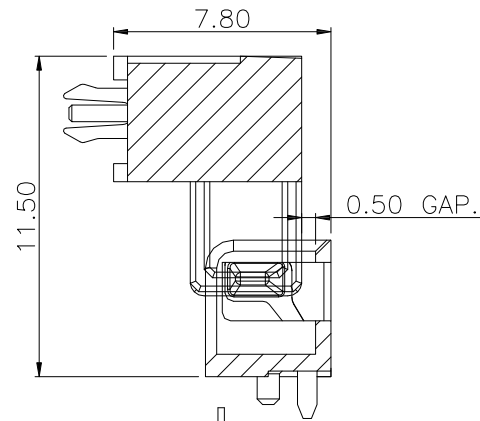


PA	16.5.2020
REV	DATE

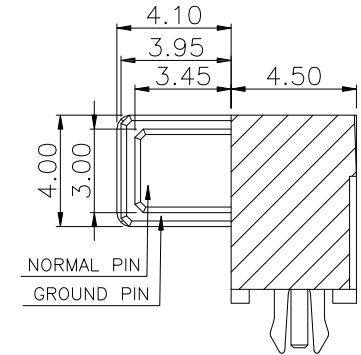
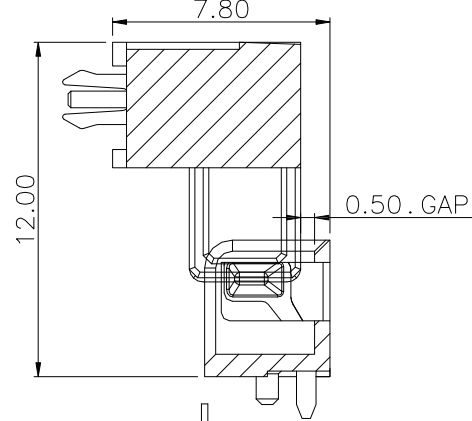
PROPRIETARY NOTE: This document contains confidential information and proprietary to Rego Electronics and shall not be reproduced or disclosed to other documents or used for any purpose other than that for which was obtained without the expressed written consent of Rego Electronics.		
.X ± 0.30	APPROVED: Chris	 <a href="http://www.rego.com.tw">http://www.rego.com.tw</a> TITLE: 1.50mm PITCH BATTERY FEMALE CONN
.XX ± 0.20	CHECKED: Andy	
.XXX ± 0.15	DRAWN: Vic	
X* ± 3°		
 UNITS: mm	SCALE: NONE	PART NO: RG150008-HS006GX02XX
		SHEET: 4 OF 5

REFERENCE MATTING DRAWING  
 VERTICAL INSERTING

NORMAL PIN MATTING

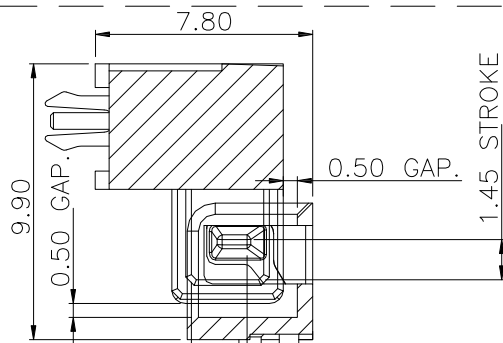


GROUND PIN MATTING

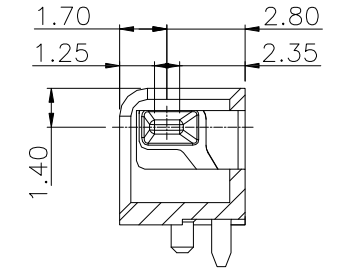
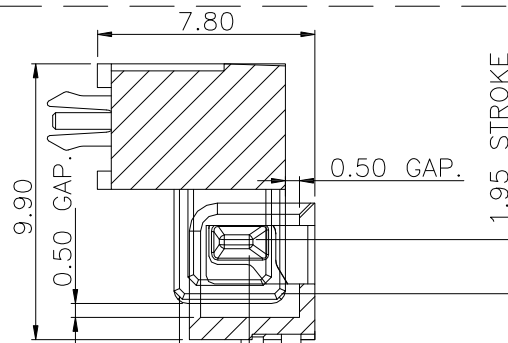


RG150010-XR006XX00XX  
 MALE

INITIAL CONTACT



INITIAL CONTACT



RG150008-XS006XX02XX  
 FEMALE

FULL CONTACT



FULL CONTACT



PROPRIETARY NOTE:

This document contains confidential information and proprietary to Rego Electronics and shall not be reproduced or disclosed to other documents or used for any purpose other than that for which was obtained without the expressed written consent of Rego Electronics.

.X ± 0.30

APPROVED: Chris

.XX ± 0.20

CHECKED: Andy

.XXX ± 0.15

DRAWN: Vic

X\* ± 3°

UNITS: mm

SCALE: NONE



TITLE: 1.50mm PITCH BATTERY FEMALE CONN

PART NO: RG150008-HS006GX02XX

SHEET: 5 OF 5

PA	16.5.2020
REV	DATE