

1. HALOGEN INFORMATION

P/NO.	HALOGEN NOTE	PRODUCT SPEC
RG250133-MS002XX00ZX	HALOGEN	RG250133-MX/RG25033X
RG250133-MS003XX00ZX	HALOGEN	RG250133-MX/RG25033X
RG250133-MS004XX00ZX	HALOGEN	RG250133-MX/RG25033X
RG250133-MS005XX00ZX	HALOGEN	RG250133-MX/RG25033X
RG250133-MS006XX00ZX	HALOGEN	RG250133-MX/RG25033X
RG250133-MS007XX00ZX	HALOGEN	RG250133-MX/RG25033X
RG250133-GS007XX00ZR	HALOGEN FREE	RG250133-GX
RG250133-MS008XX00ZX	HALOGEN	RG250133-MX/RG25033X
RG250133-MS009XX00ZX	HALOGEN	RG250133-MX/RG25033X
RG250133-MS010XX00ZX	HALOGEN	RG250133-MX/RG25033X
RG250133-GS007XX70ZR	HALOGEN FREE	RG250133-GX
RG250133-GS007XX78ZR	HALOGEN FREE	RG250133-GX

4. DIMENSION INFORMATION

P/NO.	DIM.A	DIM.B
RG250133-MS002XX00ZX	9.95	5.00
RG250133-MS003XX00ZX	12.45	7.50
RG250133-MS004XX00ZX	14.95	10.00
RG250133-MS005XX00ZX	17.45	12.50
RG250133-MS006XX00ZX	19.95	15.00
RG250133-MS007XX00ZX	22.45	17.50
RG250133-GS007XX00ZR	22.45	17.50
RG250133-MS008XX00ZX	24.95	20.00
RG250133-MS009XX00ZX	27.45	22.50
RG250133-MS010XX00ZX	29.95	25.00
RG250133-GS007XX70ZR	22.45	17.50
RG250133-GS007XX78ZR	22.45	17.50

5 PACKAGE INFORMATION

P/NO.	PACKAGE TYPE	AVAILABLE PINS NO.
RG250133-MSXXXXX00ZU	TUBE PACKAGE WITHOUT CAP	ALL PRODUCT
RG250133-MSXXXXX00ZR	REEL PACKAGE WITH CAP	06
RG250133-GS007XX00ZR	REEL PACKAGE WITH CAP	—
RG250133-GS007XX70ZR	REEL PACKAGE WITH CAP	—
RG250133-GS007XX78ZR	REEL PACKAGE WITH CAP	—

NOTE:

RG250133-XSXXXXXXXXZX

1 2 3 4 5

2. NO. OF PINS.


3. PLATING

- G1,-05u" GOLD OVER 30u" MIN NICKEL.
- G2,-GOLD FLASH OVER 30u" MIN NICKEL.
- G3,-10u" GOLD OVER 30u" MIN NICKEL.
- G4,-15u" GOLD OVER 30u" MIN NICKEL.
- G5,-30u" GOLD OVER 30u" MIN NICKEL.

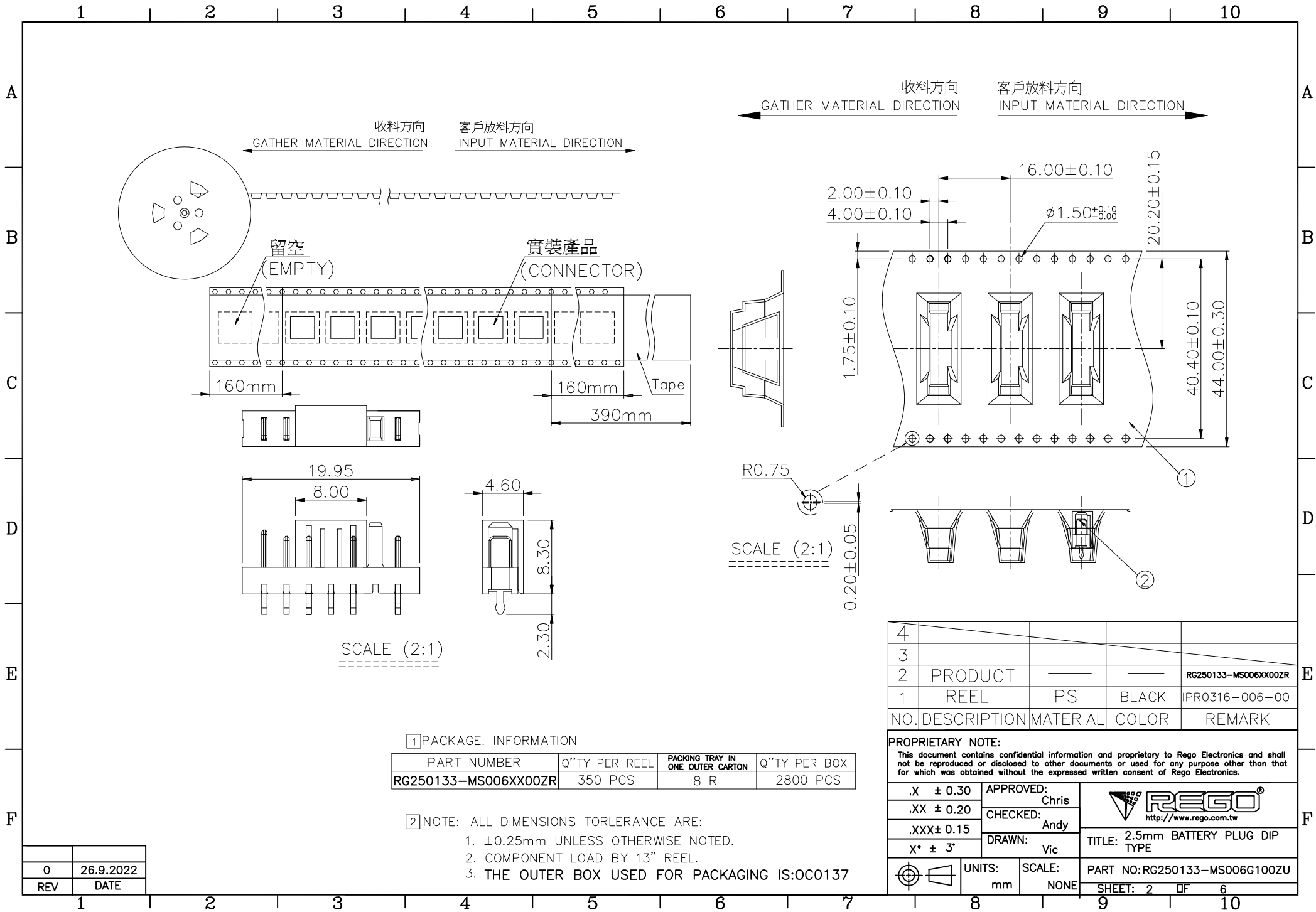
- *S1,-5u" MIN. GOLD IN CONTACT AREA/100u" MIN. TIN IN SOLDER AREA (OVER 30u" MIN. NICKEL).
- *S2,-GOLD FLASH IN CONTACT AREA/100u" MIN. TIN IN SOLDER AREA (OVER 30u" MIN. NICKEL).
- *S3,-10u" MIN. GOLD IN CONTACT AREA/100u" MIN. TIN IN SOLDER AREA (OVER 30u" MIN. NICKEL).
- *S4,-15u" MIN. GOLD IN CONTACT AREA/100u" MIN. TIN IN SOLDER AREA (OVER 30u" MIN. NICKEL).
- *S5,-30u" MIN. GOLD IN CONTACT AREA/100u" MIN. TIN IN SOLDER AREA (OVER 30u" MIN. NICKEL).

4				
3				
2	TERMINAL	COPPER ALLOY	—	GOLD PLATED
1	HOUSING	HIGH TEMP PLASTIC	BLACK	UL94V-0
NO.	DESCRIPTION	MATERIAL	COLOR	REMARK

PROPRIETARY NOTE:
This document contains confidential information and proprietary to Rego Electronics and shall not be reproduced or disclosed to other documents or used for any purpose other than that for which was obtained without the expressed written consent of Rego Electronics.

.X ± 0.30	APPROVED: Chris	 http://www.rego.com.tw	
.XX ± 0.20	CHECKED: Andy		
.XXX ± 0.15	DRAWN: Vic		
X* ± 3°	UNITS: mm	SCALE: NONE	TITLE: 2.5mm BATTERY PLUG DIP TYPE
PART NO: RG250133-MS006G100ZU		SHEET: 1 OF 6	

0	26.9.2022
REV	DATE



SCALE (2:1)

SCALE (2:1)

1] PACKAGE. INFORMATION


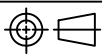
PART NUMBER	Q'TY PER REEL	PACKING TRAY IN ONE OUTER CARTON	Q'TY PER BOX
RG250133-MS006XX00ZR	350 PCS	8 R	2800 PCS

2] NOTE: ALL DIMENSIONS TOLRERANCE ARE:

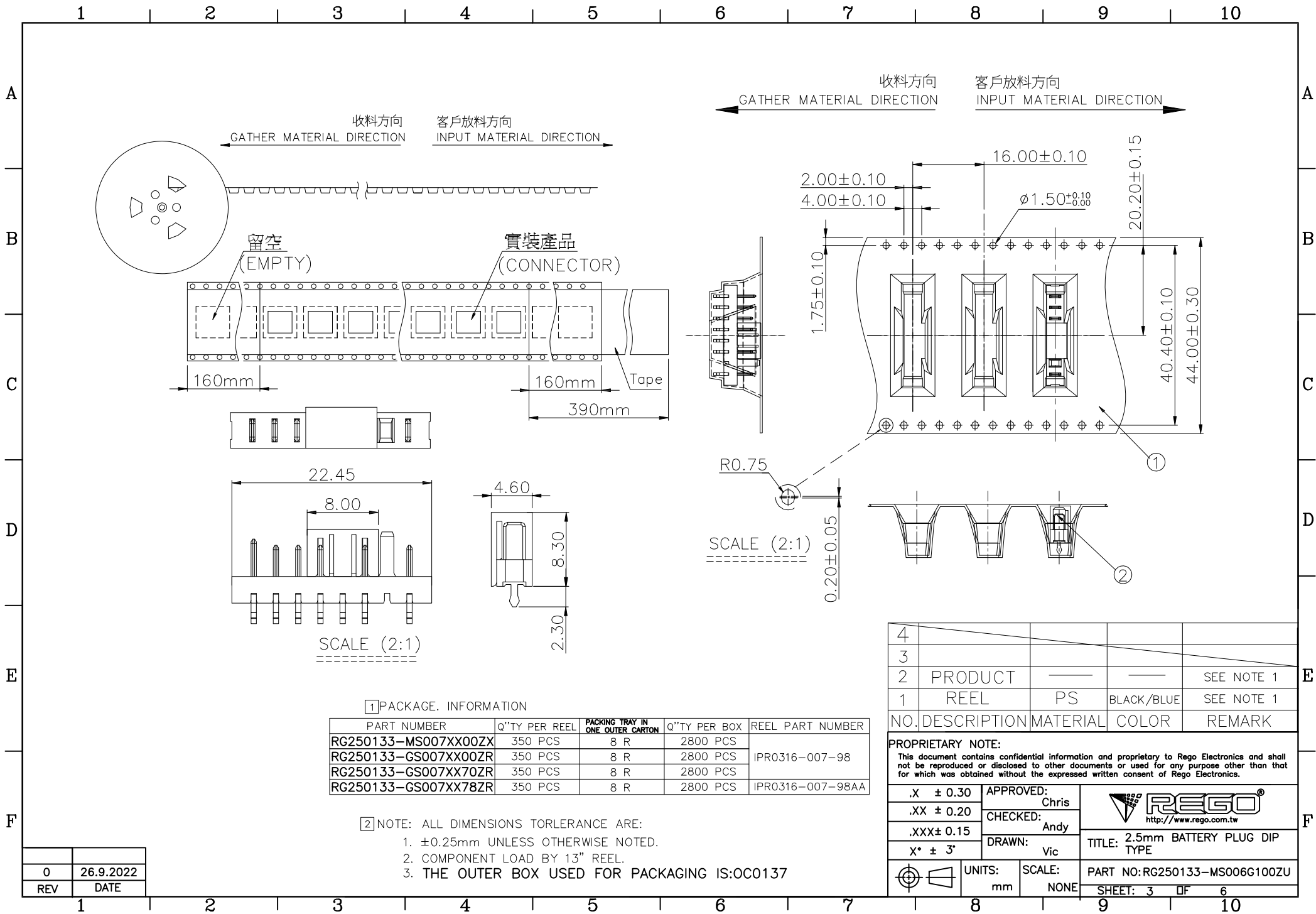
- ±0.25mm UNLESS OTHERWISE NOTED.
- COMPONENT LOAD BY 13" REEL.
- THE OUTER BOX USED FOR PACKAGING IS:OC0137

4				
3				
2	PRODUCT			RG250133-MS006XX00ZR
1	REEL	PS	BLACK	IPRO316-006-00
NO.	DESCRIPTION	MATERIAL	COLOR	REMARK

PROPRIETARY NOTE:
This document contains confidential information and proprietary to Rego Electronics and shall not be reproduced or disclosed to other documents or used for any purpose other than that for which was obtained without the expressed written consent of Rego Electronics.

.X ± 0.30	APPROVED: Chris	 http://www.rego.com.tw	
.XX ± 0.20	CHECKED: Andy		
.XXX ± 0.15	DRAWN: Vic		
X* ± 3'			
	UNITS: mm	SCALE: NONE	TITLE: 2.5mm BATTERY PLUG DIP TYPE
			PART NO: RG250133-MS006G100ZU
			SHEET: 2 OF 6

0	26.9.2022
REV	DATE



① PACKAGE INFORMATION


PART NUMBER	Q'TY PER REEL	PACKING TRAY IN ONE OUTER CARTON	Q'TY PER BOX	REEL PART NUMBER
RG250133-MS007XX00ZX	350 PCS	8 R	2800 PCS	IPR0316-007-98
RG250133-GS007XX00ZR	350 PCS	8 R	2800 PCS	
RG250133-GS007XX70ZR	350 PCS	8 R	2800 PCS	
RG250133-GS007XX78ZR	350 PCS	8 R	2800 PCS	

② NOTE: ALL DIMENSIONS TOLRERANCE ARE:

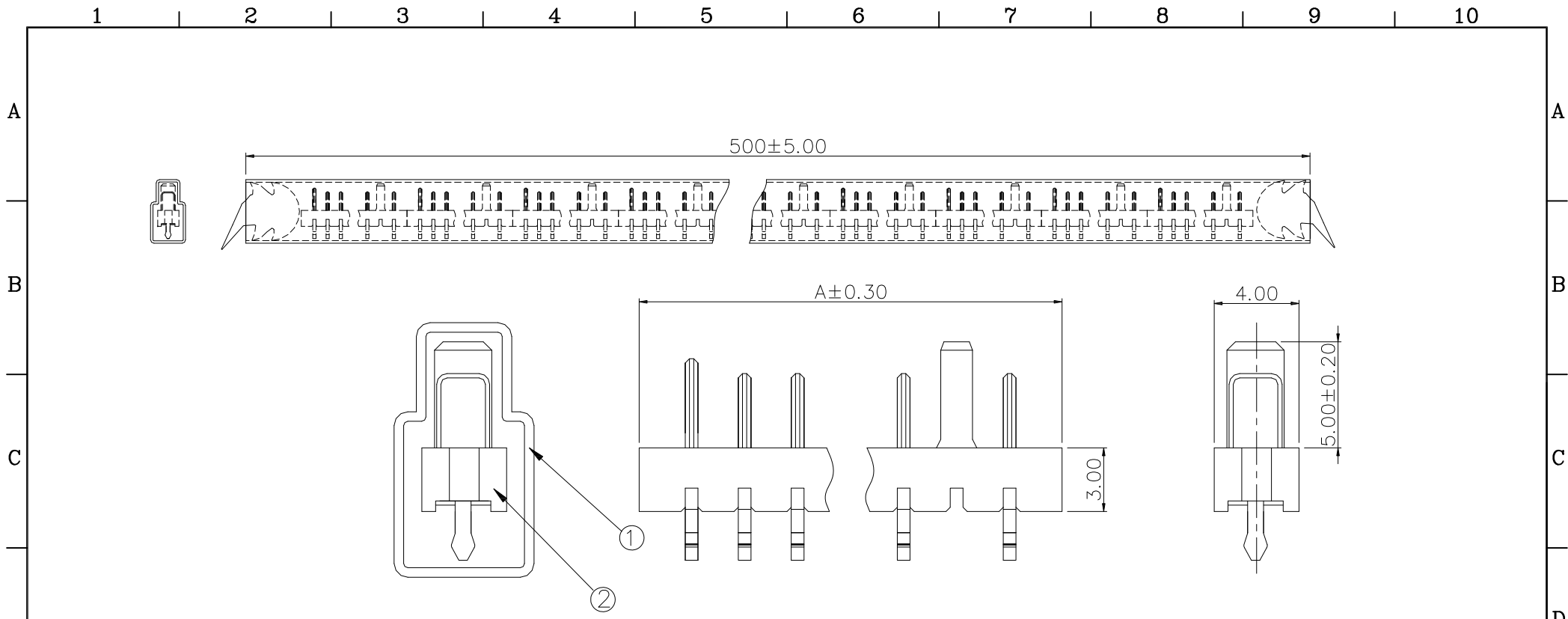
- ±0.25mm UNLESS OTHERWISE NOTED.
- COMPONENT LOAD BY 13" REEL.
- THE OUTER BOX USED FOR PACKAGING IS:OC0137

4				
3				
2	PRODUCT			SEE NOTE 1
1	REEL	PS	BLACK/BLUE	SEE NOTE 1
NO.	DESCRIPTION	MATERIAL	COLOR	REMARK

PROPRIETARY NOTE:
 This document contains confidential information and proprietary to Rego Electronics and shall not be reproduced or disclosed to other documents or used for any purpose other than that for which was obtained without the expressed written consent of Rego Electronics.

.X ± 0.30	APPROVED: Chris	 http://www.rego.com.tw
.XX ± 0.20	CHECKED: Andy	
.XXX ± 0.15	DRAWN: Vic	
X* ± 3'		
UNITS: mm	SCALE: NONE	TITLE: 2.5mm BATTERY PLUG DIP TYPE
		PART NO: RG250133-MS006G100ZU
		SHEET: 3 OF 6

0	26.9.2022
REV	DATE



[2] PACKAGE. INFORMATION

PART NUMBER	DIM.A	Q'TY PER TUBE	Q'TY PER BOX
RG250133-MS002GX00ZU	9.95	48 PCS	27648 PCS
RG250133-MS003GX00ZU	12.45	37 PCS	21312 PCS
RG250133-MS004GX00ZU	14.95	31 PCS	17856 PCS
RG250133-MS005GX00ZU	17.45	27 PCS	15552 PCS
RG250133-MS006GX00ZU	19.95	23 PCS	13248 PCS
RG250133-MS007GX00ZU	22.45	21 PCS	12096 PCS
RG250133-MS008GX00ZU	24.95	19 PCS	10944 PCS
RG250133-MS009GX00ZU	27.45	17 PCS	9792 PCS
RG250133-MS010GX00ZU	29.95	15 PCS	8640 PCS


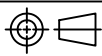
[1] DIMENSIONAL INFORMATION

P/NO.
RG250133-MSXXGXXXXU

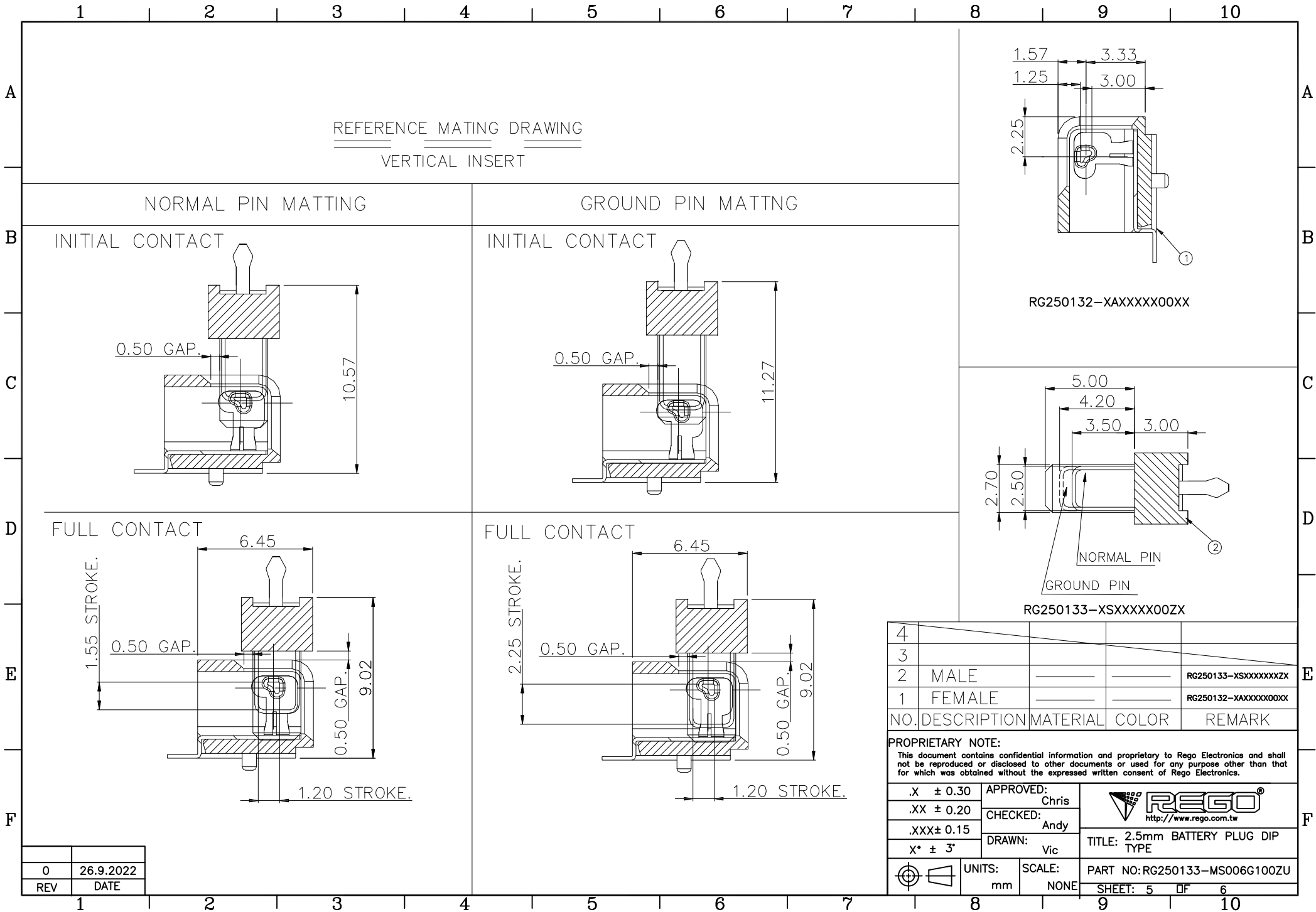
- [3] NOTE: All DIMENSIONS TOLERANCE ARE:
- ±0.25mm UNLESS OTHERWISE NOTED.
 - A LONG WHITE BOX CONTAINS 96 TUBES
 - THE OUTER BOX USED IS OC0126; ONE OUTER BOX IS FILLED WITH 6 WHITE LONG BOXES

4				
3				
2	PRODUCT			RG250133-MSXXXXX00ZU
1	TUBE	PS	BLACK	PT0023
	NO. DESCRIPTION	MATERIAL	COLOR	REMARK

PROPRIETARY NOTE:
 This document contains confidential information and proprietary to Rego Electronics and shall not be reproduced or disclosed to other documents or used for any purpose other than that for which was obtained without the expressed written consent of Rego Electronics.

.X ± 0.30	APPROVED: Chris	 http://www.rego.com.tw	
.XX ± 0.20	CHECKED: Andy		
.XXX ± 0.15	DRAWN: Vic		
X* ± 3'	UNITS: mm	SCALE: NONE	TITLE: 2.5mm BATTERY PLUG DIP TYPE
	PART NO: RG250133-MS006G100ZU		SHEET: 4 OF 6

0	26.9.2022
REV	DATE



REFERENCE MATING DRAWING
VERTICAL INSERT

NORMAL PIN MATTING


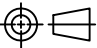
GROUND PIN MATTING

RG250132-XAXXXXX00XX

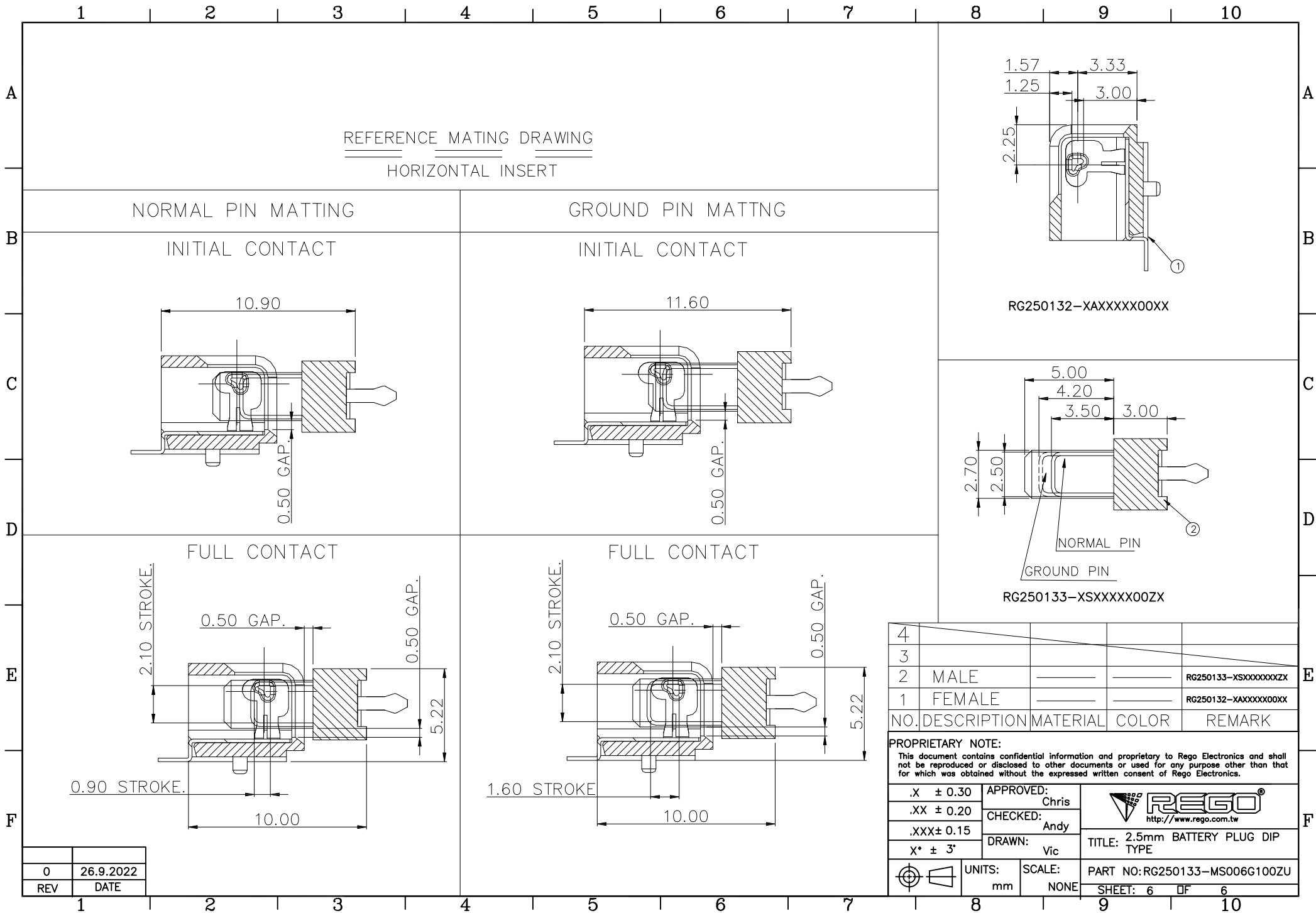
RG250133-XSXXXXX00ZX

4			
3			
2	MALE		RG250133-XSXXXXXXZX
1	FEMALE		RG250132-XAXXXXX00XX
	NO. DESCRIPTION	MATERIAL	COLOR
			REMARK

PROPRIETARY NOTE:
This document contains confidential information and proprietary to Rego Electronics and shall not be reproduced or disclosed to other documents or used for any purpose other than that for which was obtained without the expressed written consent of Rego Electronics.

.X ± 0.30	APPROVED: Chris	 http://www.rego.com.tw
.XX ± 0.20	CHECKED: Andy	
.XXX ± 0.15	DRAWN: Vic	
X* ± 3°		
	UNITS: mm	SCALE: NONE
	PART NO: RG250133-MS006G100ZU	
SHEET: 5		OF 6

0	26.9.2022
REV	DATE



0	26.9.2022
REV	DATE