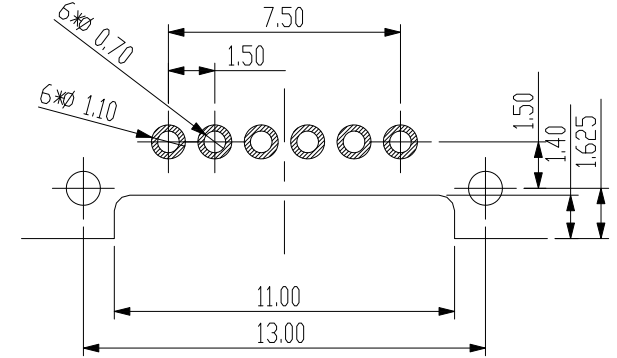


RECOMMENDED P.C.B LAYOUT (COMPONENT SIDE)
P.C.B THICKNESS=0.80mm (TOLERANCE=±0.05mm)




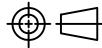
NOTE:
RG150013-HR006B600ZL

1. H/FEMALE HALOGEN FREE
2. SELECTIVE PLATING
G1-5U" GOLD OVER NICKEL.
M1-5U" MIN. GOLD IN CONTACT AREA
100U" MIN. MATT. TIN PLATE IN SOLDER AREA
OVER 50U" MIN. NICKEL
B6-3U" MIN. GOLD OVER 30U" MIN 80/20 Pd/Ni ON CONTACT AREA.
AND 100U" MATT TIN OVER SOLDER AREA,
50U" MIN NICKEL UNDER PLATING OVER ALL.

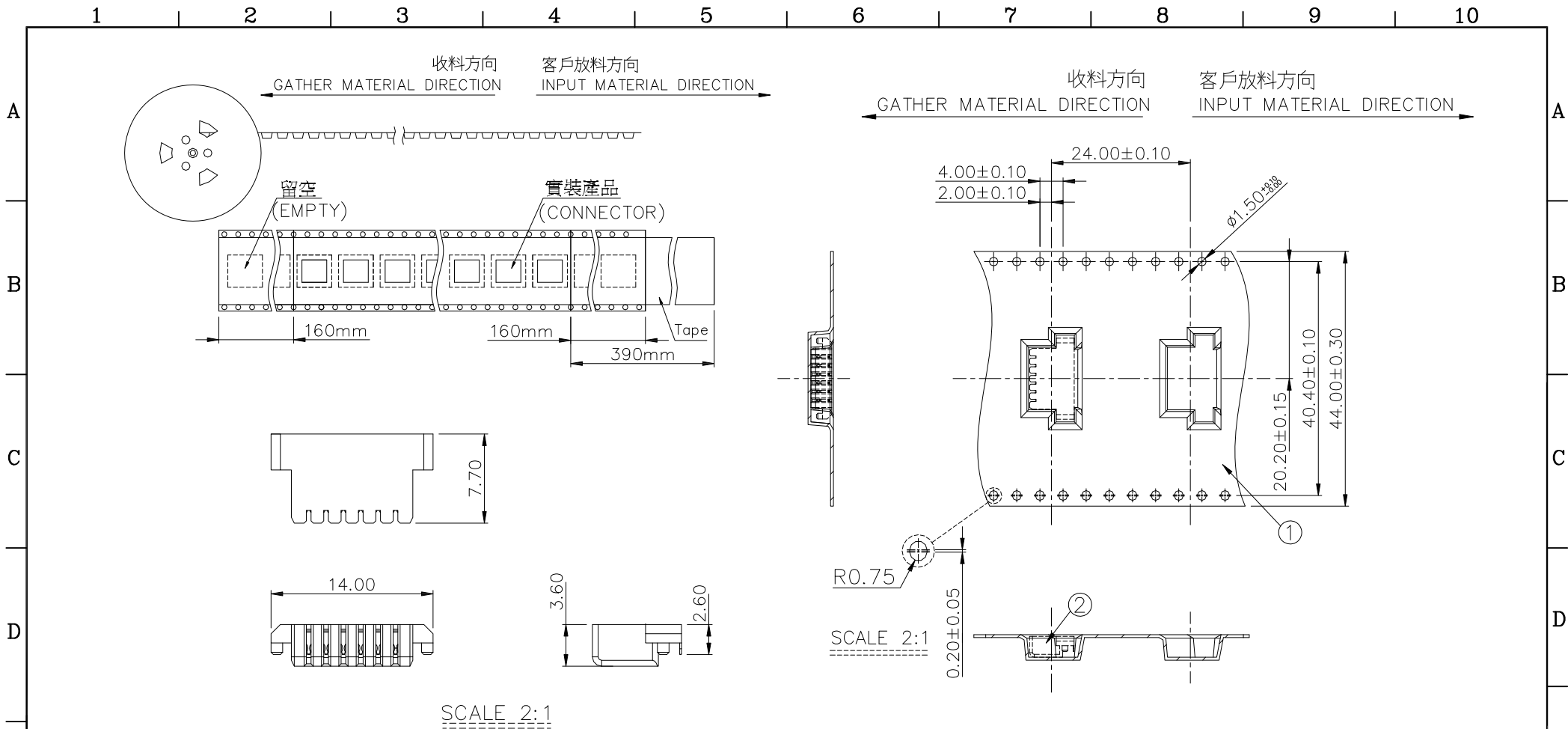
3				
2	TERMINAL	Copper Alloy		
1	HOUSING	High Temp Plastic	Black	UL94V-0
NO. DESCRIPTION		MATERIAL	COLOR	REMARK

PROPRIETARY NOTE:

This document contains confidential information and proprietary to Rego Electronics and shall not be reproduced or disclosed to other documents or used for any purpose other than that for which was obtained without the expressed written consent of Rego Electronics.

.X ± 0.30	APPROVED: Chris	 http://www.rego.com.tw
.XX ± 0.20	CHECKED: Andy	
.XXX ± 0.15	DRAWN: Vic	
X* ± 3"		
	UNITS: mm	SCALE: NONE
	TITLE: 1.50mm Pitch Battery Connector PART NO: RG150013-HR006B600ZL SHEET: 1 OF 4	

PA	13.7.2015
REV	DATE



SCALE 2:1

1 PACKAGE INFORMATION

PART NUMBER	Q'TY PER REEL	PACKING TRAY IN ONE OUTER CARTON	Q'TY PER BOX
RG150013-HR006XX00ZL	650 PCS	8 R	5200 PCS


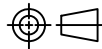
2 NOTE: ALL DIMENSIONS TOLERANCE ARE:

- ±0.25mm UNLESS OTHERWISE NOTED.
- COMPONENT LOAD BY 13" REEL.
- THE OUTER BOX USED FOR PACKAGING IS:OC0137;

NO.	DESCRIPTION	MATERIAL	COLOR	REMARK
3				
2	PRODUCT			RG150013-HR006XX00ZL
1	REEL	PS	BLACK	IPR1122-006-00

PROPRIETARY NOTE:

This document contains confidential information and proprietary to Rego Electronics and shall not be reproduced or disclosed to other documents or used for any purpose other than that for which was obtained without the expressed written consent of Rego Electronics.

.X ± 0.30	APPROVED: Chris	 http://www.rego.com.tw	
.XX ± 0.20	CHECKED: Andy		
.XXX ± 0.15	DRAWN: Vic		
X* ± 3"	TITLE: 1.50mm Pitch Battery Connector		
	UNITS: mm	SCALE: NONE	PART NO: RG150013-HR006B600ZL
			SHEET: 2 OF 4

PA	13.7.2015
REV	DATE
1	

1 2 3 4 5 6 7 8 9 10

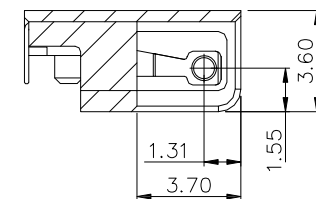
A

REFERENCE MATTING DRAWING
 HORIZONTAL INSERT

A

SIGNAL PIN MATTING

POWER PIN MATTING

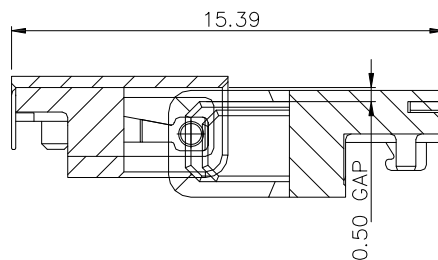
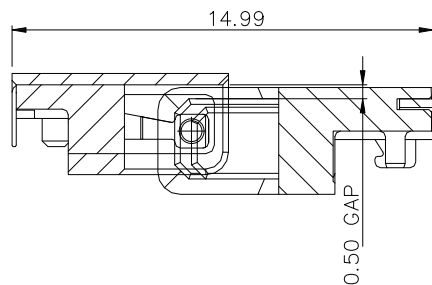


SCALE 4:1

B

INITIAL CONTACT

INITIAL CONTACT



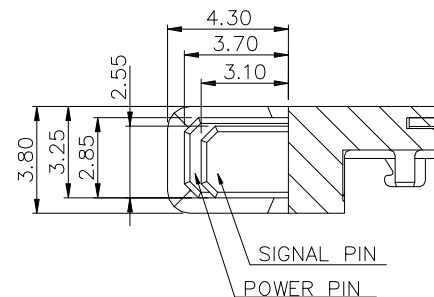
B

C

C

FULL CONTACT

FULL CONTACT



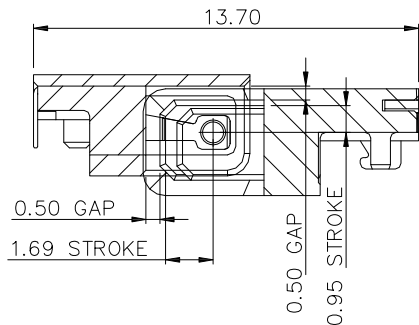
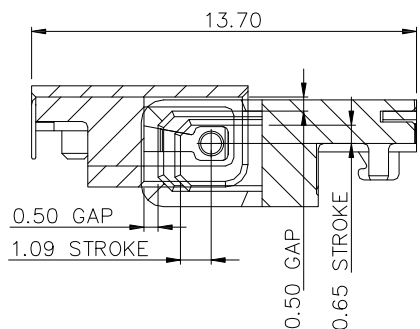
RG150010-GR006XX02ZR
 SCALE 4:1

D

D


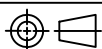
E

E



PROPRIETARY NOTE:

This document contains confidential information and proprietary to Rego Electronics and shall not be reproduced or disclosed to other documents or used for any purpose other than that for which was obtained without the expressed written consent of Rego Electronics.

.X ± 0.30	APPROVED: Chris	 http://www.rego.com.tw
.XX ± 0.20	CHECKED: Andy	
.XXX ± 0.15	DRAWN: Vic	
X* ± 3*		
	UNITS: mm	SCALE: NONE
PART NO: RG150013-HR006B600ZL		SHEET: 3 OF 4

F

PA	13.7.2015
REV	DATE

1 2 3 4 5 6 7 8 9 10

REFERENCE MATTING DRAWING

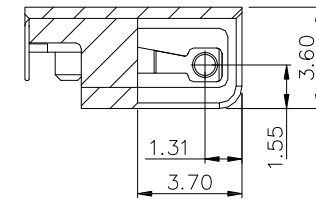
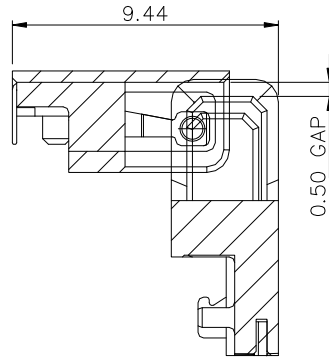
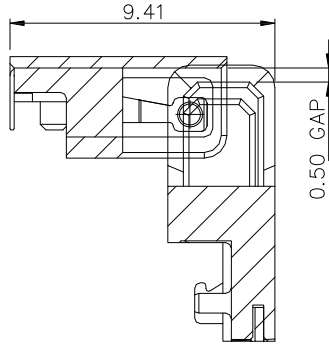
 VERTICAL INSERT

SIGNAL PIN MATTING

POWER PIN MATTING

INITIAL CONTACT

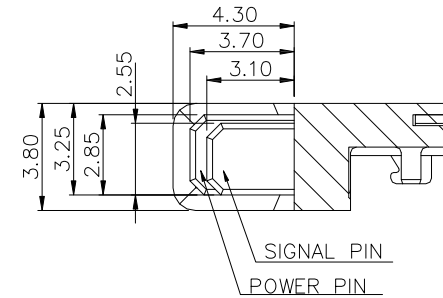
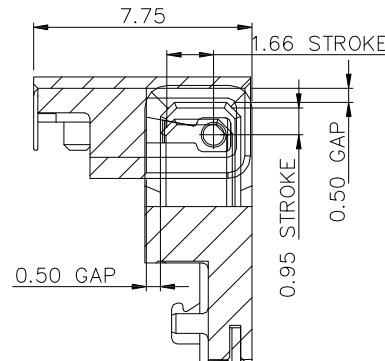
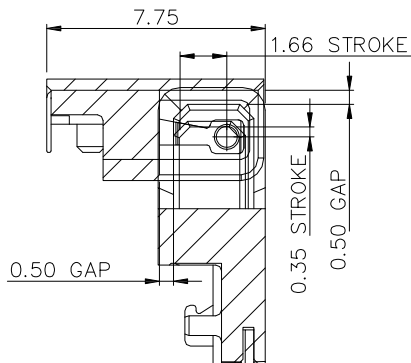
INITIAL CONTACT



SCALE 4:1

FULL CONTACT

FULL CONTACT



RG150010-GR006XX02ZR
 SCALE 4:1

PROPRIETARY NOTE:

This document contains confidential information and proprietary to Rego Electronics and shall not be reproduced or disclosed to other documents or used for any purpose other than that for which was obtained without the expressed written consent of Rego Electronics.

.X ± 0.30

APPROVED: Chris

.XX ± 0.20

CHECKED: Andy

.XXX ± 0.15

DRAWN: Vic

X* ± 3°

UNITS: mm

SCALE: NONE



TITLE: 1.50mm Pitch Battery Connector

PART NO: RG150013-HR006B600ZL

SHEET: 4 OF 4

PA	13.7.2015
REV	DATE