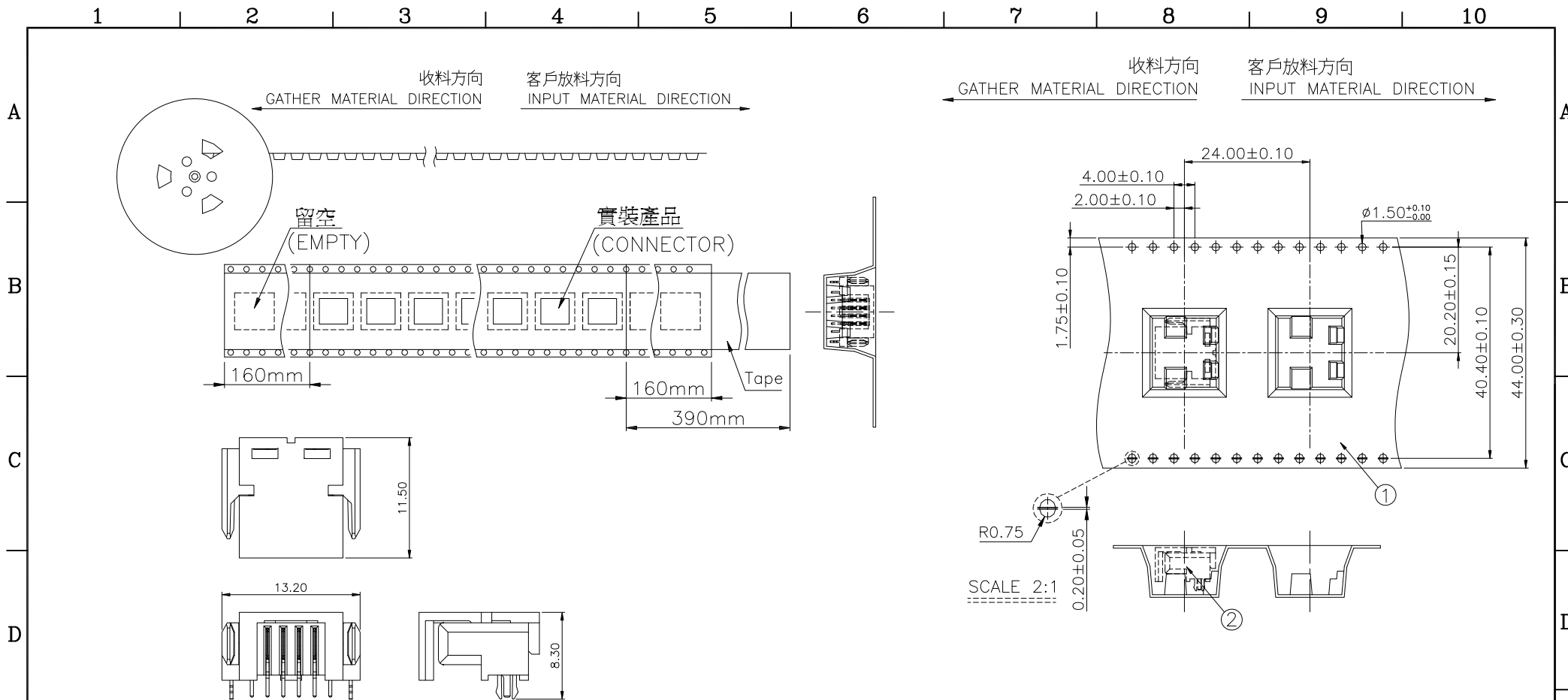


C	17.5.2004
REV	DATE




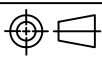
SCALE 2:1

NOTE: ALL DIMENSIONS TOLERANCE ARE:
 1. $\pm 0.25\text{mm}$ UNLESS OTHERWISE NOTED.
 2. COMPONENT LOAD BY 13" REEL.
 3. THE OUTER BOX USED FOR PACKAGING IS:OC0137

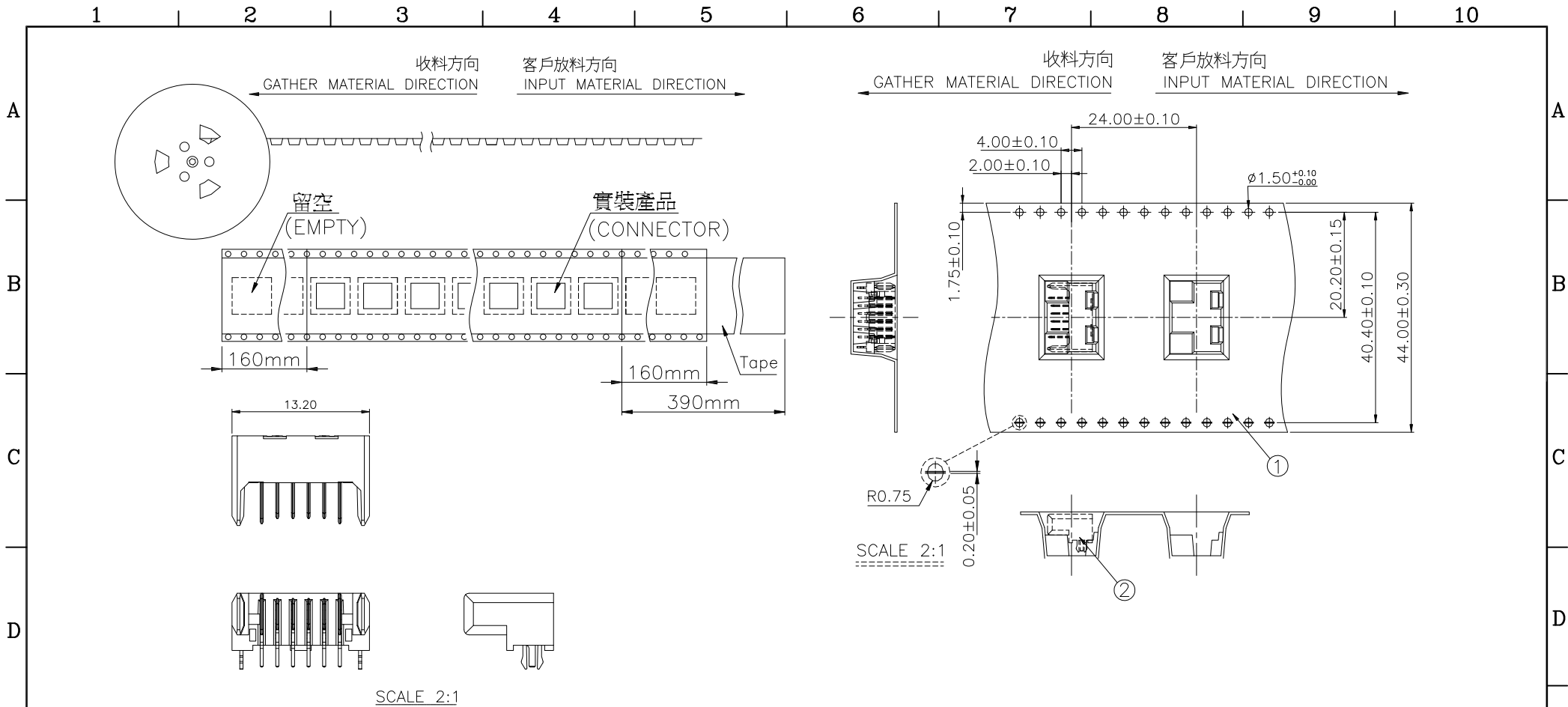
PACKAGE INFORMATION

PART NUMBER	Q'TY PER REEL	PACKING ROLLS IN ONE OUTER CARTON	Q'TY PER BOX
RG150010-GR006MX01ZR	280 PCS	8 R	2240 PCS

SCALE 2:1

3				
2	PRODUCT			RG150010-GR006MX01ZR
1	REEL	PS	BLACK	IPR1022-006-01
NO.	DESCRIPTION	MATERIAL	COLOR	REMARK
PROPRIETARY NOTE: This document contains confidential information and proprietary to Rego Electronics and shall not be reproduced or disclosed to other documents or used for any purpose other than that for which was obtained without the expressed written consent of Rego Electronics.				
.X ± 0.30	APPROVED:	 http://www.rego.com.tw		
.XX ± 0.20	Chris			
.XXX ± 0.15	ANDY			
X* $\pm 3'$	DRAWN:	TITLE: 1.50mm PITCH BATTERY MALE CONN		
	UNITS:	SCALE:	PART NO: RG150010-GR006MXXXXXZ	
	mm	NONE	SHEET: 2 OF 6	

C	17.5.2004
REV	DATE





NOTE: ALL DIMENSIONS TORLERANCE ARE:
 1. $\pm 0.25\text{mm}$ UNLESS OTHERWISE NOTED.
 2. COMPONENT LOAD BY 13" REEL.
 3. THE OUTER BOX USED FOR PACKAGING IS:OC0137

PACKAGE. INFORMATION

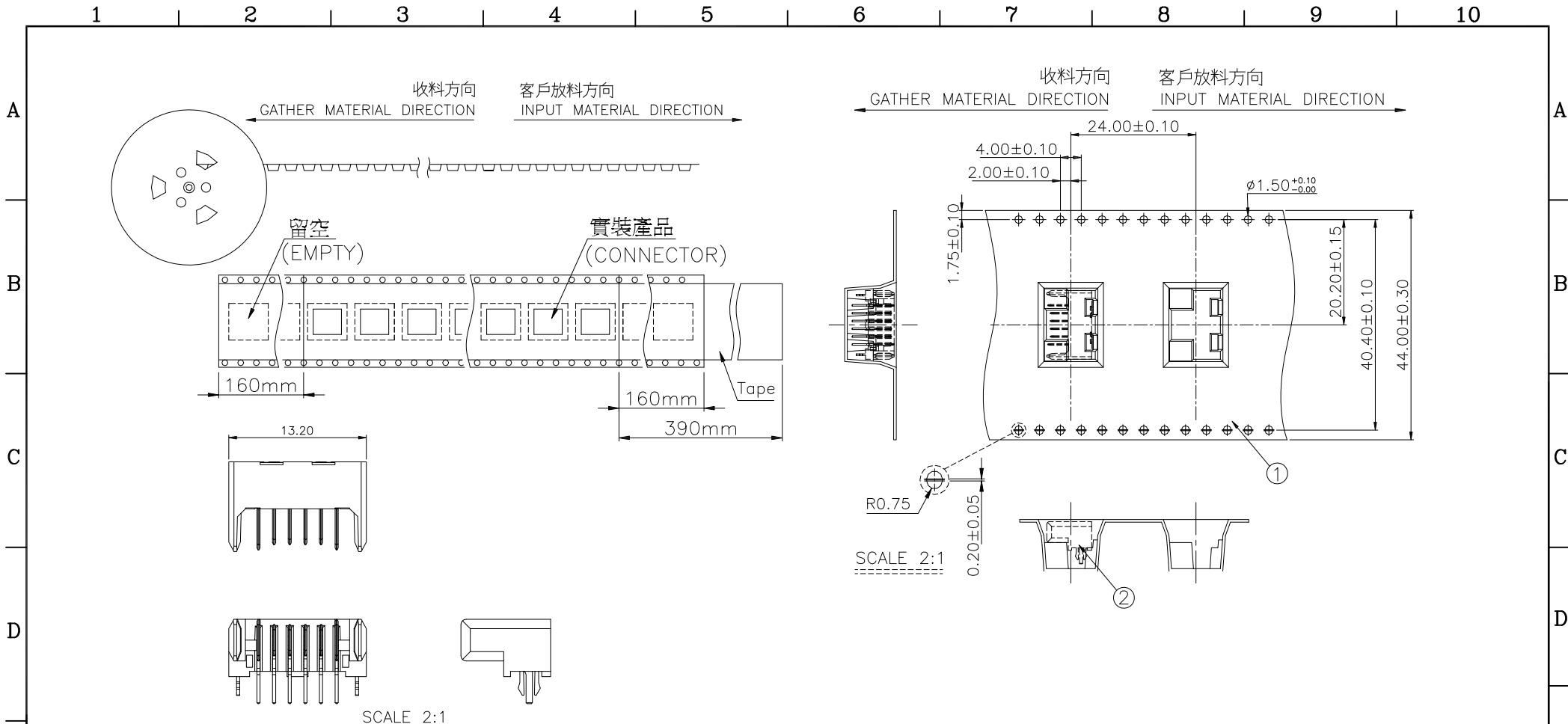
PART NUMBER	Q'TY PER REEL	PACKING ROLLS IN ONE OUTER CARTON	Q'TY PER BOX
RG150010-GR006MX01ZL	310 PCS	8 R	2480 PCS

3				
2	PRODUCT			RG150010-GR006MX01ZL
1	REEL	PS	BLACK	IPR1022-006-91
NO.	DESCRIPTION	MATERIAL	COLOR	REMARK

PROPRIETARY NOTE:
 This document contains confidential information and proprietary to Rego Electronics and shall not be reproduced or disclosed to other documents or used for any purpose other than that for which was obtained without the expressed written consent of Rego Electronics.

.X ± 0.30	APPROVED:	 http://www.rego.com.tw
.XX ± 0.20	CHECKED: Andy	
.XXX ± 0.15	DRAWN: Vic	
X* $\pm 3'$		
	UNITS: mm	SCALE: NONE
	TITLE: 1.50mm PITCH BATTERY MALE CONN PART NO: RG150010-GR006MXXXXX SHEET: 3 OF 6	

C	17.5.2004
REV	DATE



NOTE: ALL DIMENSIONS TOLERANCE ARE:
 1. ±0.25mm UNLESS OTHERWISE NOTED.
 2. COMPONENT LOAD BY 13" REEL.
 3. THE OUTER BOX USED FOR PACKAGING IS:OC0137


PACKAGE INFORMATION

PART NUMBER	Q'TY PER REEL	PACKING ROLL IN ONE CARTON	Q'TY PER BOX
RG150010-GR006MX06ZL	250 PCS	8 R	2000 PCS

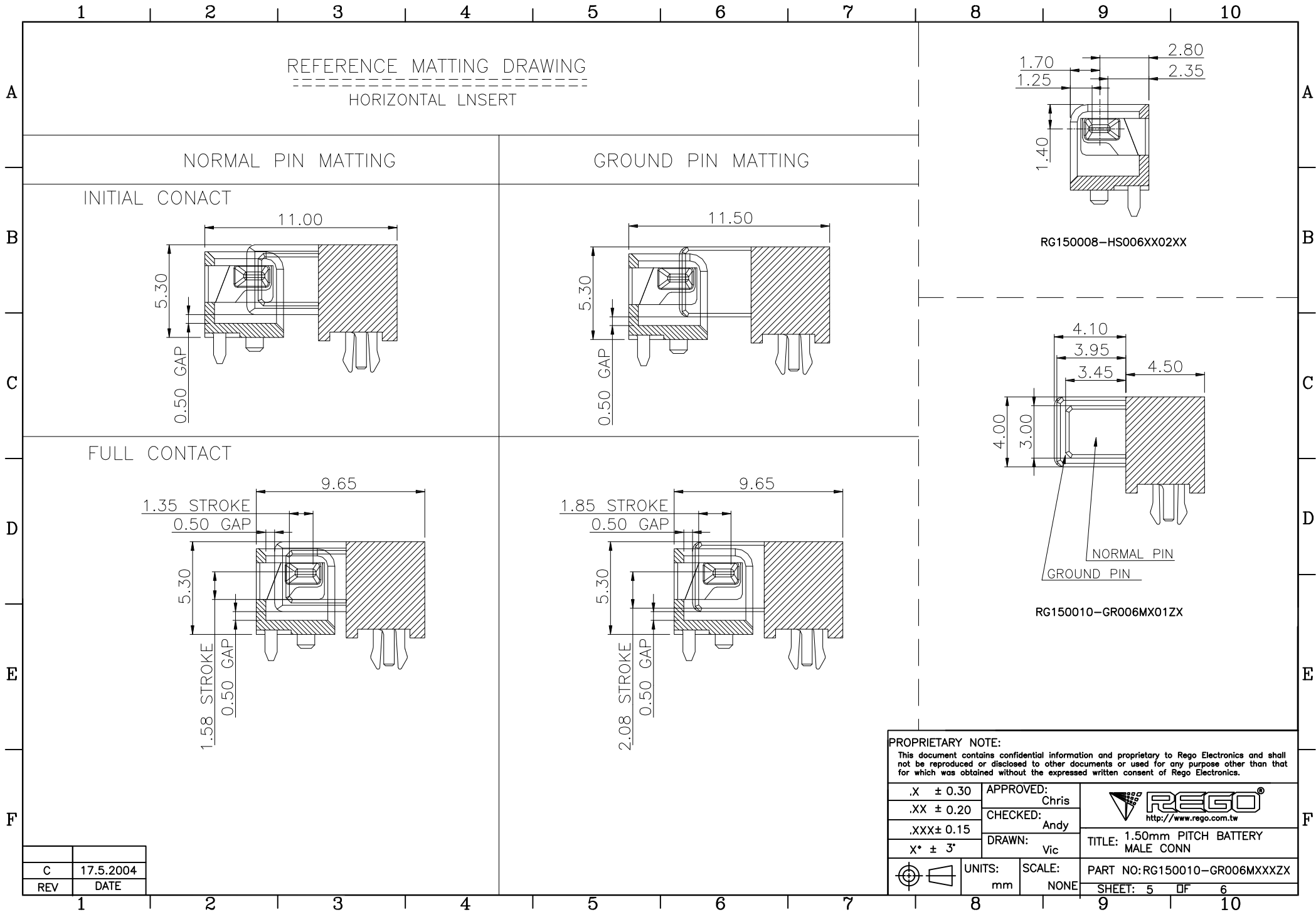
NO.	DESCRIPTION	MATERIAL	COLOR	REMARK
3				
2	PRODUCT			RG150010-GR006MX06ZL
1	REEL	PS	BLACK	IPR1022-006-06AA

PROPRIETARY NOTE:

This document contains confidential information and proprietary to Rego Electronics and shall not be reproduced or disclosed to other documents or used for any purpose other than that for which was obtained without the expressed written consent of Rego Electronics.

.X ± 0.30	APPROVED: Chris	 http://www.rego.com.tw
.XX ± 0.20	CHECKED: Andy	
.XXX ± 0.15	DRAWN: Vic	
X* ± 3*		
UNITS: mm	SCALE: NONE	TITLE: 1.50mm PITCH BATTERY MALE CONN
PART NO: RG150010-GR006MXXXXX		SHEET: 4 OF 6

C	17.5.2004
REV	DATE



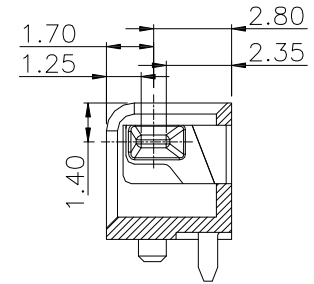
C	17.5.2004
REV	DATE

1 2 3 4 5 6 7 8 9 10

A

REFERENCE MATTING DRAWING

 VERTICAL INSERT

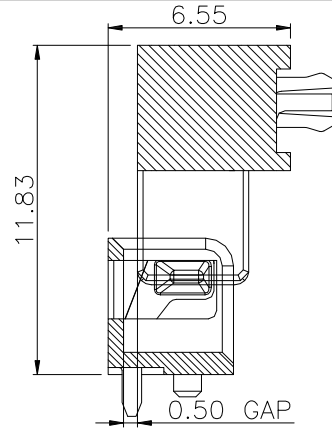
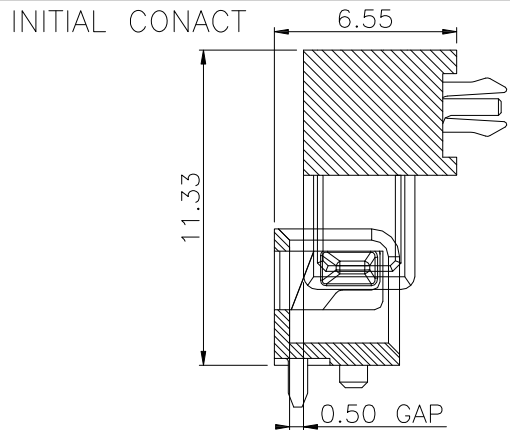


RG150008-HS006XX02XX

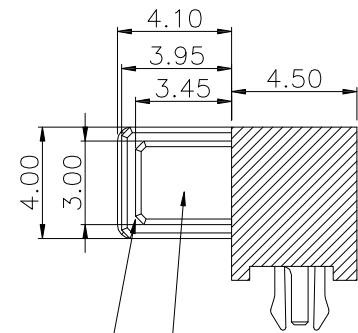
B

NORMAL PIN MATTING

GROUND PIN MATTING



C

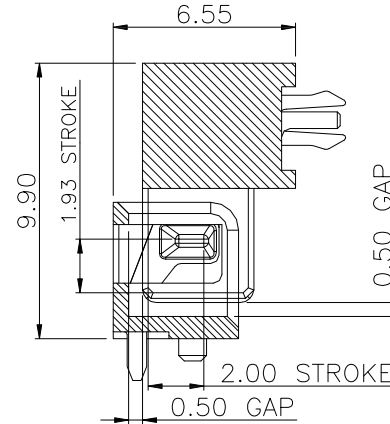
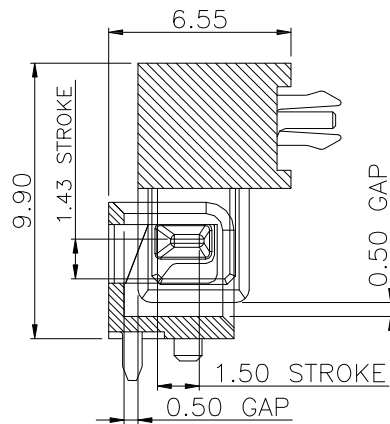


NORMAL PIN
 GROUND PIN

RG150010-GR006MX01ZX

D

FULL CONTACT



E


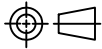
F

C	17.5.2004
REV	DATE

1 2 3 4 5 6 7 8 9 10

PROPRIETARY NOTE:

This document contains confidential information and proprietary to Rego Electronics and shall not be reproduced or disclosed to other documents or used for any purpose other than that for which was obtained without the expressed written consent of Rego Electronics.

.X ± 0.30	APPROVED: Chris	 http://www.rego.com.tw
.XX ± 0.20	CHECKED: Andy	
.XXX ± 0.15	DRAWN: Vic	
X* ± 3°		
	UNITS: mm	SCALE: NONE
PART NO: RG150010-GR006MXXXXX		SHEET: 6 OF 6

A

B

C

D

E

F