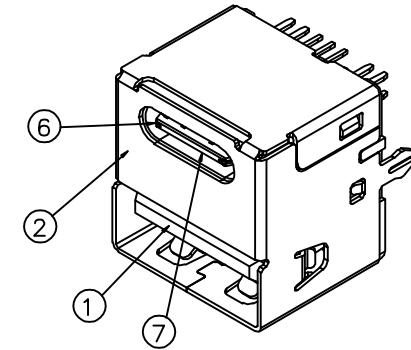


SPECIFICATION:


1. Withstanding Voltage: 100V AC.
2. TEMPERATURE RANGE: -30°C~85°C.
3. CONTACT RESISTANCE: 40 milliohms MAX.
4. INSULATION RESISTANCE: 100 MEGOHMS.
5. INSERTION FORCE: 5N~20N.



NO.	DESCRIPTION	MATERIAL	COLOR	REMARK
7	TYPE C MD	HIGH TEMP	BLACK	UL 94V-0
6	CENTER PIECE	STAINLESS STEEL	—	NO Plated
5	TYPE C TERMINAL	COPPER ALLOY	—	Gold Plated
4	CLIP	SEE NOTE	—	Ni Plated
3	USB TERMINAL	COPPER ALLOY	—	Gold Plated
2	SHELL	SEE NOTE	—	Ni Plated
1	HOUSING	HIGH TEMP	BLACK	UL 94V-0

PROPRIETARY NOTE:

This document contains confidential information and proprietary to Rego Electronics and shall not be reproduced or disclosed to other documents or used for any purpose other than that for which was obtained without the expressed written consent of Rego Electronics.

.X ± 0.30	APPROVED: Chris	 http://www.rego.com.tw
.XX ± 0.20	CHECKED: Andy	
.XXX ± 0.15	DRAWN: Vic	
X* ± 3'		
UNITS: mm	SCALE: NONE	TITLE: TYPE C Female 14 Pins With USB 2.0 Female Combo Vertical Type
		PART NO: 9177USB231-F00001
		SHEET: 1 OF 1

A	10.11.2022
REV	DATE