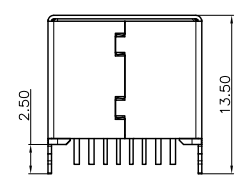
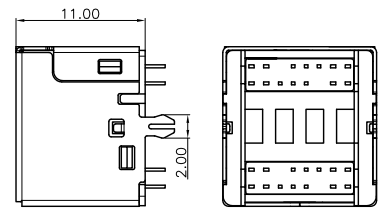
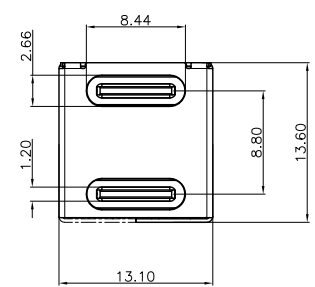
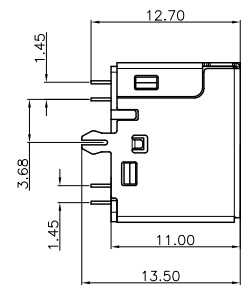
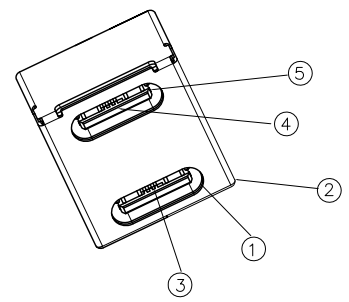
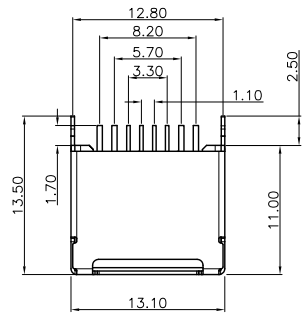


1 2 3 4 5 6 7 8 9 10

A
B
C
D
E
F

NOTES:

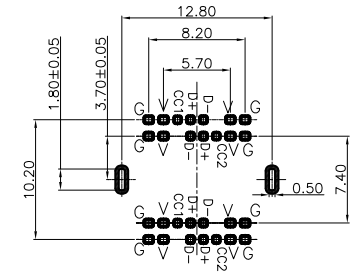
1. Mechanical property:
 - 1.1 Insertion force:5~20N.
 - 1.2 Pull out force:5~20N
 - 1.3 Durability life:1000 CYCLES.
2. Electrical properties:
 - 2.1 Rated current:5A MAX .
 - 2.2 Rated voltage:30V MAX.
 - 2.3 Withstand voltage:100V AC.
 - 2.4 Contact impedance:40mΩ MAX(Initial) , 50mΩ MAX .
 - 2.5 Insulation impedance:100MΩ MIN.
3. Environment temperature:
 - 3.1 Temperature range:-30° C ~ +85° C.



⑤	TYPE C Center piece	SUS		
④	TYPE C Moding	LCP+30GF	BLACK	UL 94V-0
③	TYPE C Terminal	C2680-H		GOLD:G/F Tin 80-120u"Ni:30u"
②	Enclosure	C2680-H		Ni :40-60"
①	Main rubber core	LCP+30GF	BLACK	UL 94V-0
Serial number	Description	Material	Color	Remark

PIN DEFINITION
FRONT VIEW


A12	A11	A10	A9	A8	A7	A6	A5	A4	A3	A2	A1
GND		VBus		D-	D+	CC	VBus			GND	
GND		VBus	Vconn				VBus			GND	
B1	B2	B3	B4	B5	B6	B7	B8	B9	B10	B11	B12



Recommended P.C.B Layout
Tolerance:±0.05

0	21.11.2021
REV	DATE

PROPRIETARY NOTE:
This document contains confidential information and proprietary to Rego Electronics and shall not be reproduced or disclosed to other documents or used for any purpose other than that for which was obtained without the expressed written consent of Rego Electronics.

.X ± 0.38	APPROVED: Chris	 http://www.rego.com.tw	
.XX ± 0.25	CHECKED: Andy		
.XXX ± 0.15	DRAWN: Vic		
X° ± 3°	UNITS: mm	SCALE: NONE	TITLE: USB Type C 14 Pins 2X1 Port Vertical Type
			PART NO: 897USCF-066S008
			SHEET: 1 OF 1

1 2 3 4 5 6 7 8 9 10