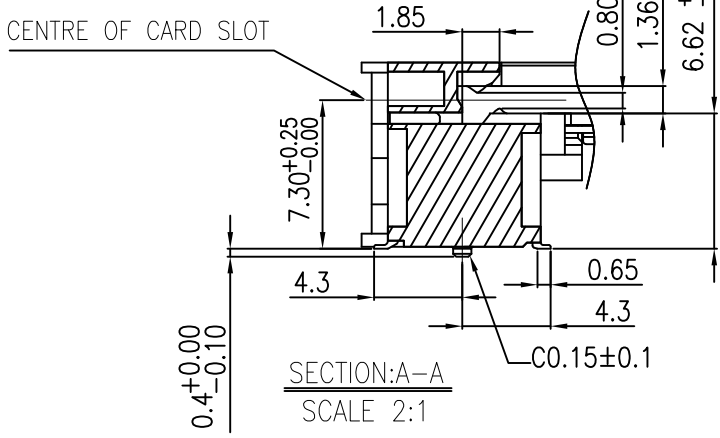
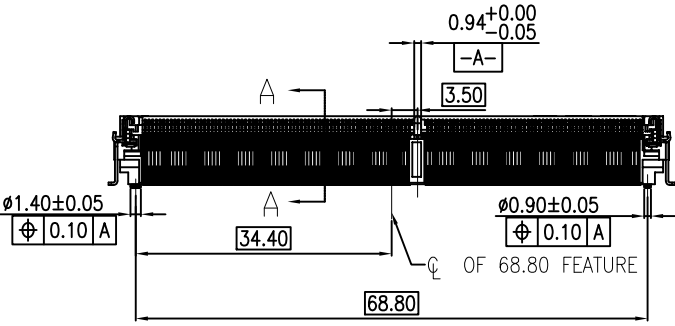
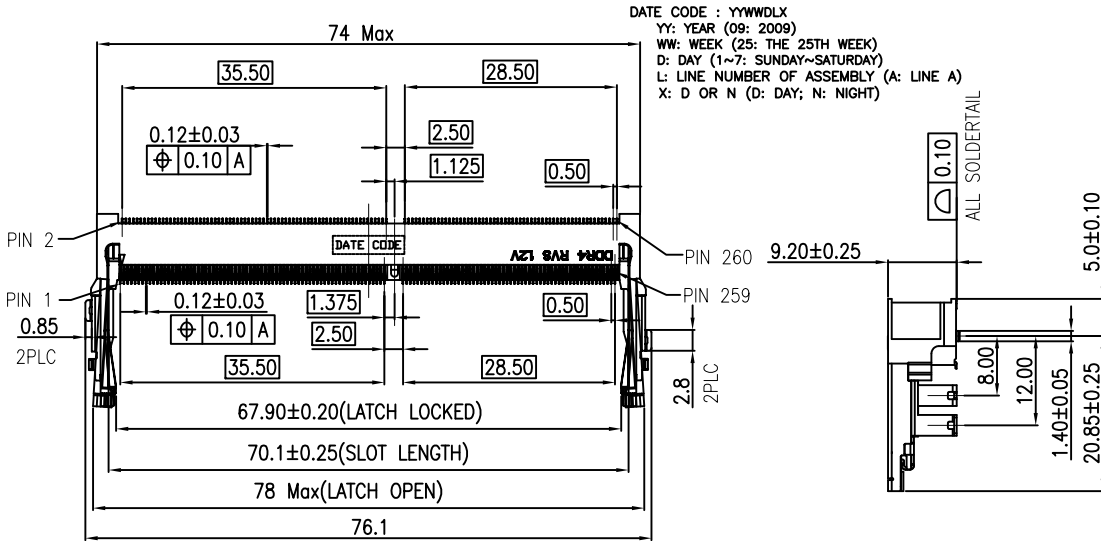


1 2 3 4 5 6 7 8 9 10

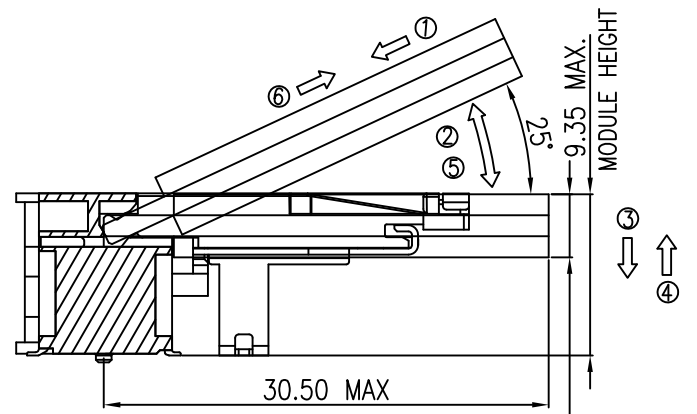
A
B
C
D
E
F



NOTES:
 1.MATERIAL:
 HOUSING: LCP, UL94V-0, Black
 CONTACT: PHOSPHOR BRONZE
 LATCH: STAINLESS


2.FINISH:
 CONTACT:
 CONTACT AREA: G/F GOLD PLATED
 SOLDER AREA: G/F GOLD PLATED
 UNDER PLATING: NICKEL PLATED.
 LATCH:
 SOLDER AREA: G/F GOLD PLATED
 UNDER PLATING: NICKEL PLATED.

3.SPECIFICATION:
 CURRENT RATING: 0.5A / (1PIN)
 VOLTAGE RATING: 25V AC
 DIELECTRIC WITHSTANDING: 125V AC FOR 1 MINUTE
 CONTACT RESISTANCE: 60mΩ Max.
 INSULATION RESISTANCE: 500MΩ Min
 OPERATING TEMPERATURE: -40°C to +85°C
 DURABILITY: 25 CYCLES MIN.



MATING: ① INSERTING(30°) → ② ROTATING → ③ FIXED
 UNMATING: ④ UNFIXED → ⑤ ROTATING → ⑥ WITHDRAWING

PROPRIETARY NOTE:
 This document contains confidential information and proprietary to Rego Electronics and shall not be reproduced or disclosed to other documents or used for any purpose other than that for which was obtained without the expressed written consent of Rego Electronics.

.X ± 0.30	APPROVED: Chris	 http://www.rego.com.tw
.XX ± 0.20	CHECKED: Andy	
.XXX ± 0.15	DRAWN: Vic	TITLE: SO DIMM DDR4 R/A 260 PIN Reverse Type H:9.2mm
X* ± 3'	UNITS: mm	SCALE: NONE
		PART NO: 906DDR4-320A16
		SHEET: 1 OF 3

AO	20.4.2017
REV	DATE

1 2 3 4 5 6 7 8 9 10

1 2 3 4 5 6 7 8 9 10

A

B

C

D

E

F

A

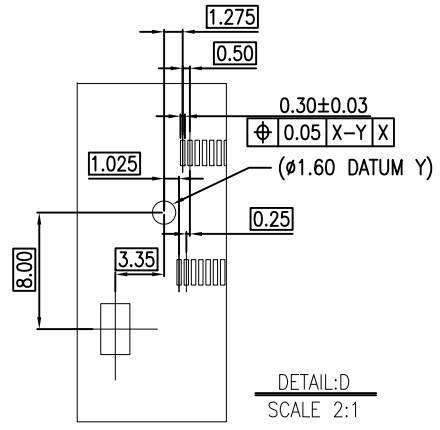
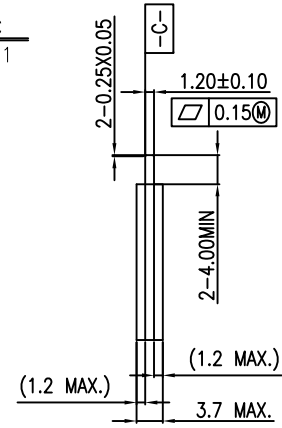
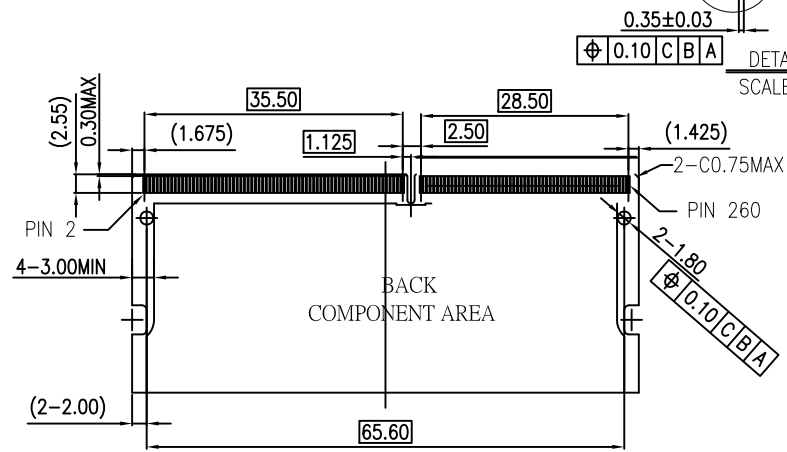
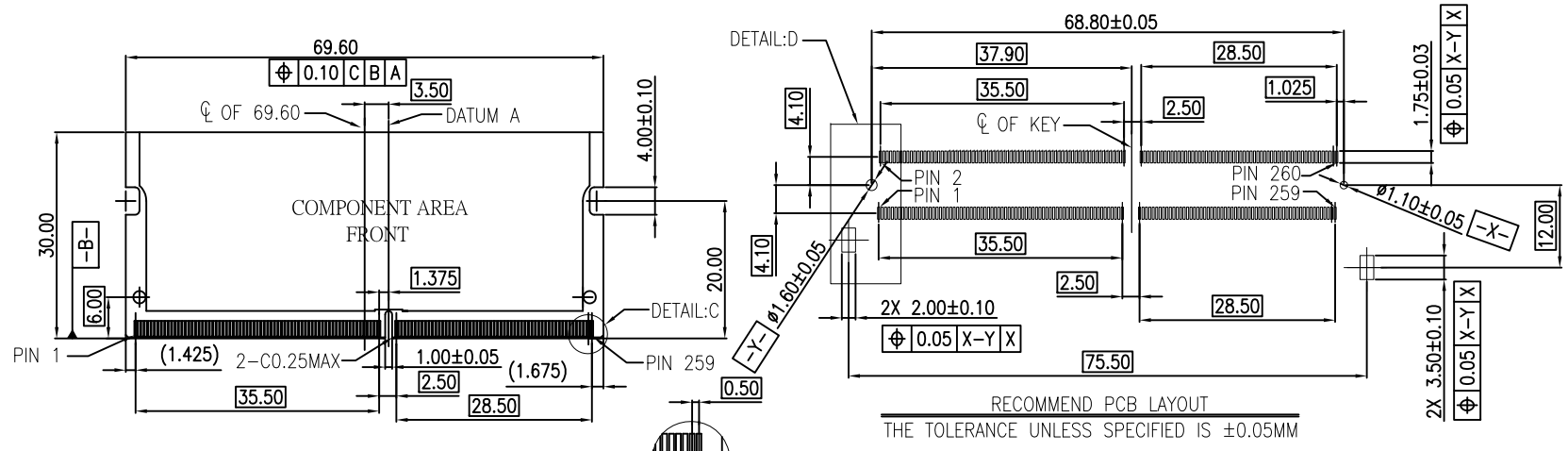
B

C


D

E

F



PROPRIETARY NOTE:
 This document contains confidential information and proprietary to Rego Electronics and shall not be reproduced or disclosed to other documents or used for any purpose other than that for which was obtained without the expressed written consent of Rego Electronics.

.X ± 0.30	APPROVED: Chris	 http://www.rego.com.tw
.XX ± 0.20	CHECKED: Andy	
.XXX ± 0.15	DRAWN: Vic	
X* ± 3'	UNITS: mm	TITLE: SO DIMM DDR4 R/A 260 PIN Reverse Type H:9.2mm
	SCALE: NONE	PART NO: 906DDR4-320A16
		SHEET: 2 OF 3

AO	20.4.2017
REV	DATE

1 2 3 4 5 6 7 8 9 10

1 2 3 4 5 6 7 8 9 10

A

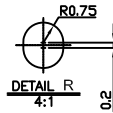
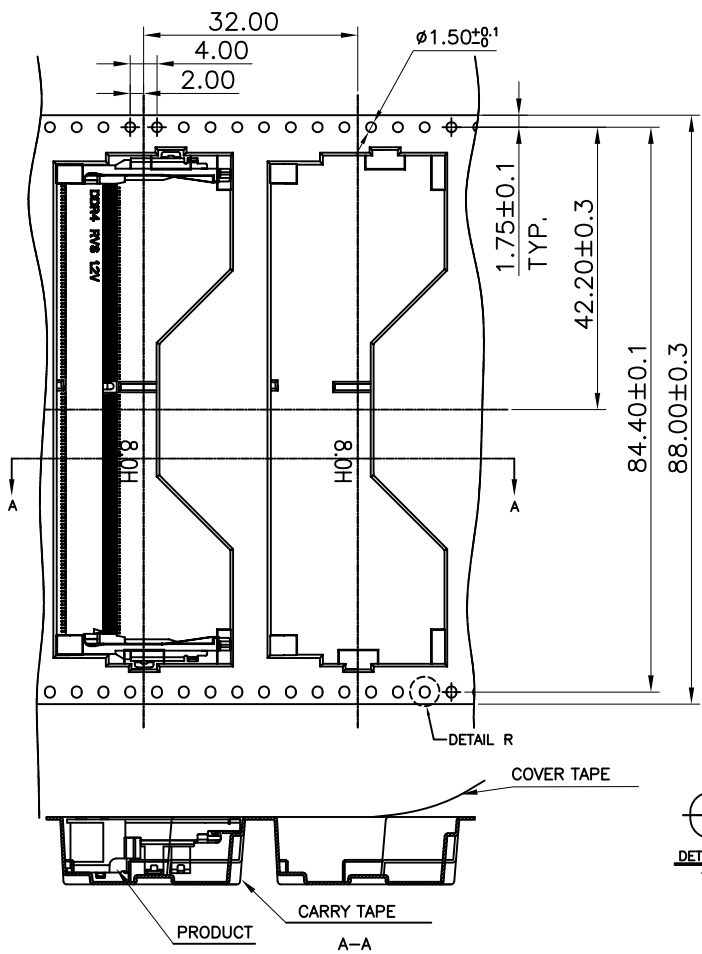
B

C

D

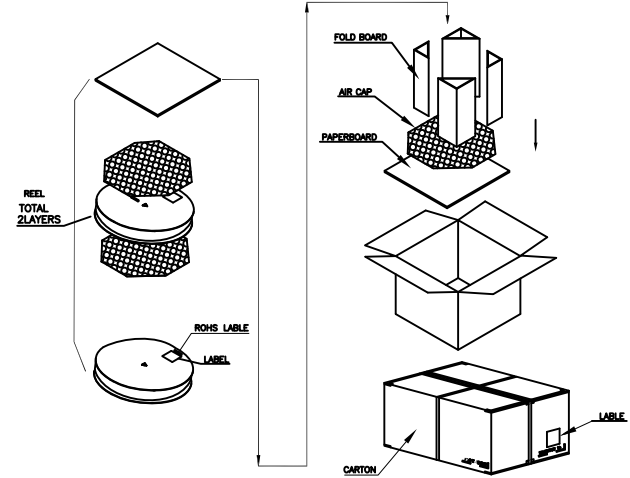
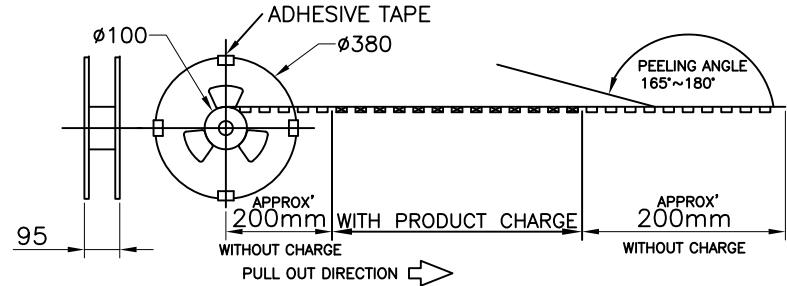
E

F



NOTES:

1. PACKING STYLE: 250 PCS/REEL
500 PCS/OUTER CARTON
2. MATERIAL: CARRIER TAPE: PS BLACK
COVER TAPE: PET FILM
REEL: PLASTIC
3. PEEL STRENGTH OF COVER TAPE: 20~80g (PEEL SPEED 300mm/MINUTE)



PROPRIETARY NOTE:

This document contains confidential information and proprietary to Rego Electronics and shall not be reproduced or disclosed to other documents or used for any purpose other than that for which was obtained without the expressed written consent of Rego Electronics.

.X ± 0.30	APPROVED: Chris
.XX ± 0.20	CHECKED: Andy
.XXX ± 0.15	DRAWN: Vic
X* $\pm 3^*$	



TITLE: SO DIMM DDR4 R/A 260
PIN Reverse Type H:9.2mm

	UNITS: mm	SCALE: NONE
--	-----------	-------------

PART NO: 906DDR4-320A16
SHEET: 3 OF 3

AO	20.4.2017
REV	DATE

1 2 3 4 5 6 7 8 9 10