

DATE CODE : YYWDLX  
 YY: YEAR (09: 2009)  
 WW: WEEK (25: THE 25TH WEEK)  
 D: DAY (1~7: SUNDAY~SATURDAY)  
 L: LINE NUMBER OF ASSEMBLY (A: LINE A)  
 X: D OR N (D: DAY; N: NIGHT)

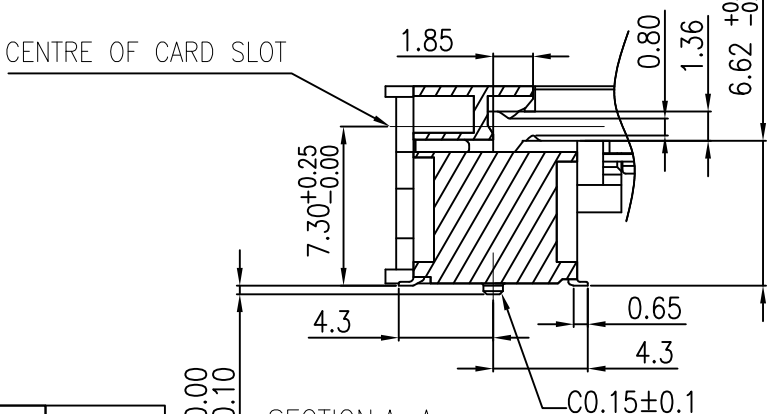
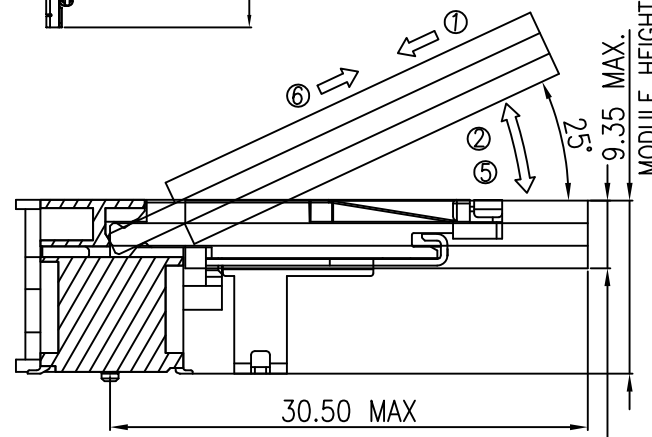
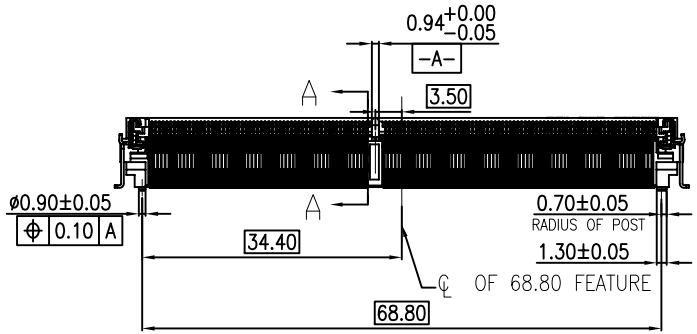
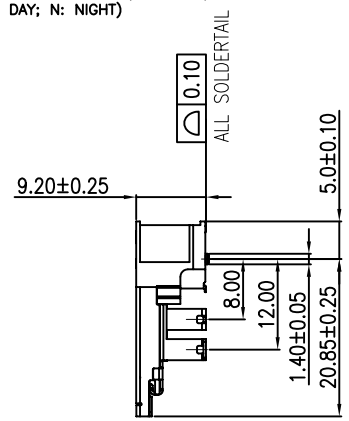
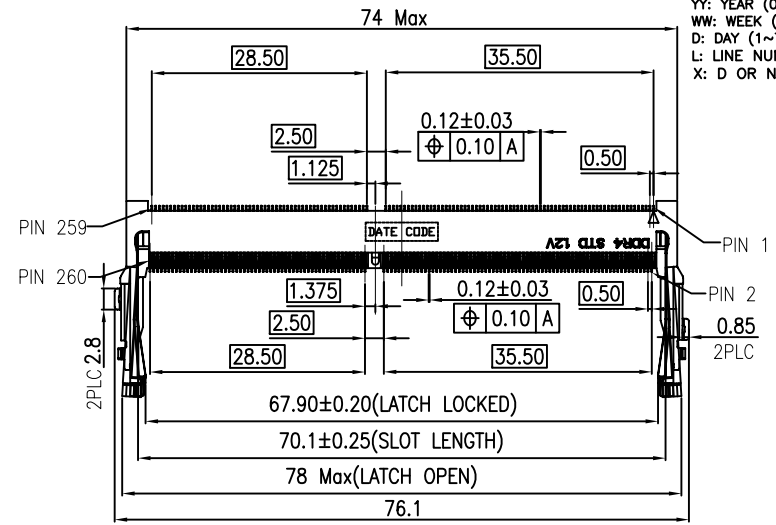
NOTES:  
 1.MATERIAL:  
 HOUSING: LCP, UL94V-0, Black  
 CONTACT: PHOSPHOR BRONZE  
 LATCH: STAINLESS

2.FINISH:  
 CONTACT:  
 CONTACT AREA: G/F GOLD PLATED  
 SOLDER AREA: G/F GOLD PLATED  
 UNDER PLATING: NICKEL PLATED.  
 LATCH:  
 SOLDER AREA: G/F GOLD PLATED  
 UNDER PLATING: NICKEL PLATED.

3.SPECIFICATION:  
 CURRENT RATING: 0.5A / (1PIN)  
 VOLTAGE RATING: 25V AC  
 DIELECTRIC WITHSTANDING: 125V AC FOR 1 MINUTE  
 CONTACT RESISTANCE: 60mΩ Max.  
 INSULATION RESISTANCE: 500MΩ Min  
 OPERATING TEMPERATURE: -40°C to +85°C  
 DURABILITY: 25 CYCLES MIN.

A  
B  
C  
D  
E  
F


A  
B  
C  
D  
E  
F



MATING/UNMATING VIEW  
 SCALE 2:1  
 MATING: ① INSERTING(30°) → ② ROTATING → ③ FIXED  
 UNMATING: ④ UNFIXED → ⑤ ROTATING → ⑥ WITHDRAWING

AO	20.4.2017
REV	DATE

SECTION:A-A  
 SCALE 2:1

PROPRIETARY NOTE: This document contains confidential information and proprietary to Rego Electronics and shall not be reproduced or disclosed to other documents or used for any purpose other than that for which was obtained without the expressed written consent of Rego Electronics.			
.X ± 0.30	APPROVED: Chris	 <a href="http://www.rego.com.tw">http://www.rego.com.tw</a>	
.XX ± 0.20	CHECKED: Andy		
.XXX ± 0.15	DRAWN: Vic		
X* ± 3'	UNITS: mm	SCALE: NONE	TITLE: SO DIMM DDR4 R/A 260 PIN Standard Type H:9.2mm
			PART NO: 906DDR4-320A15
			SHEET: 1 OF 3

1 2 3 4 5 6 7 8 9 10

A

B

C

D

E

F

A

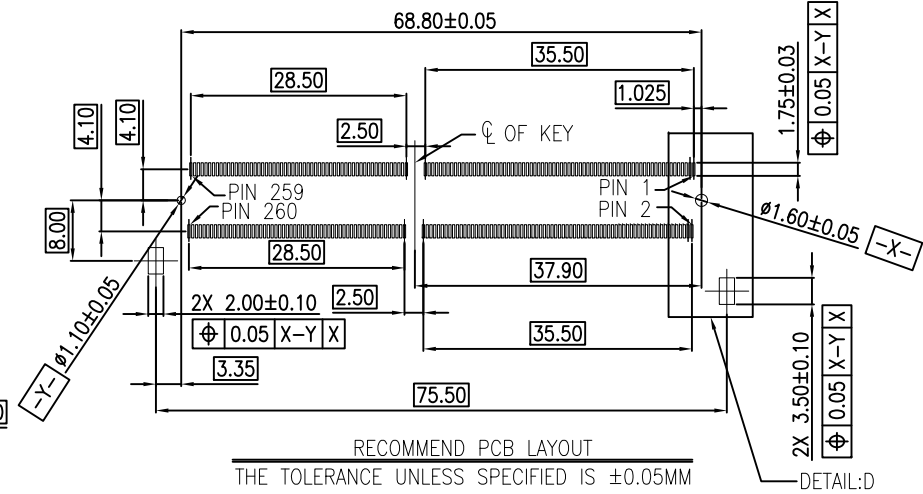
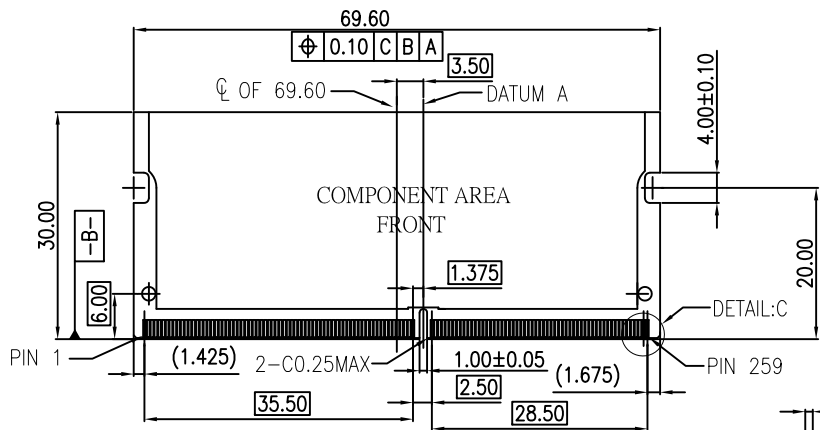
B

C

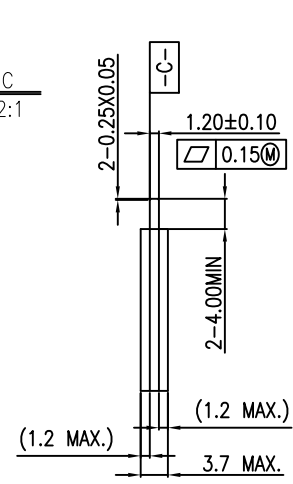
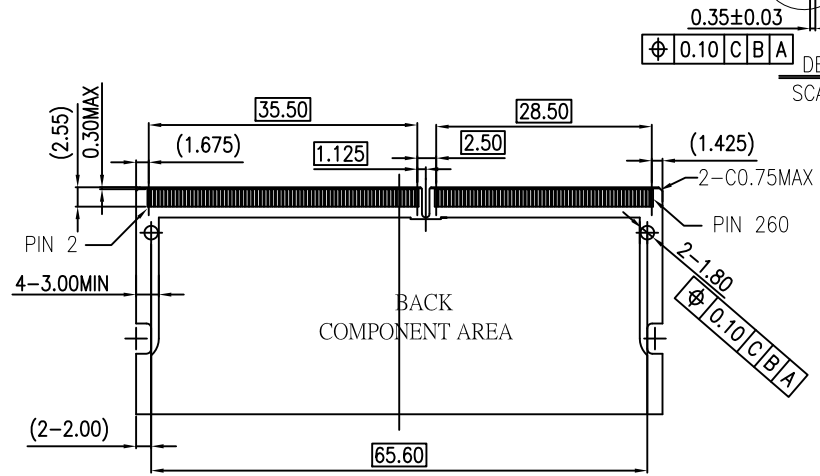
D

E

F



RECOMMEND PCB LAYOUT  
 THE TOLERANCE UNLESS SPECIFIED IS ±0.05MM



PROPRIETARY NOTE:  
 This document contains confidential information and proprietary to Rego Electronics and shall not be reproduced or disclosed to other documents or used for any purpose other than that for which was obtained without the expressed written consent of Rego Electronics.

.X ± 0.30	APPROVED: Chris	 <a href="http://www.rego.com.tw">http://www.rego.com.tw</a>
.XX ± 0.20	CHECKED: Andy	
.XXX ± 0.15	DRAWN: Vic	
X* ± 3'		
	UNITS: mm	SCALE: NONE
TITLE: SO DIMM DDR4 R/A 260 PIN Standard Type H:9.2mm		PART NO: 906DDR4-320A15
SHEET: 2 OF 3		

AO	20.4.2017
REV	DATE

1 2 3 4 5 6 7 8 9 10

1 2 3 4 5 6 7 8 9 10

A

B

C

D

E

F

A

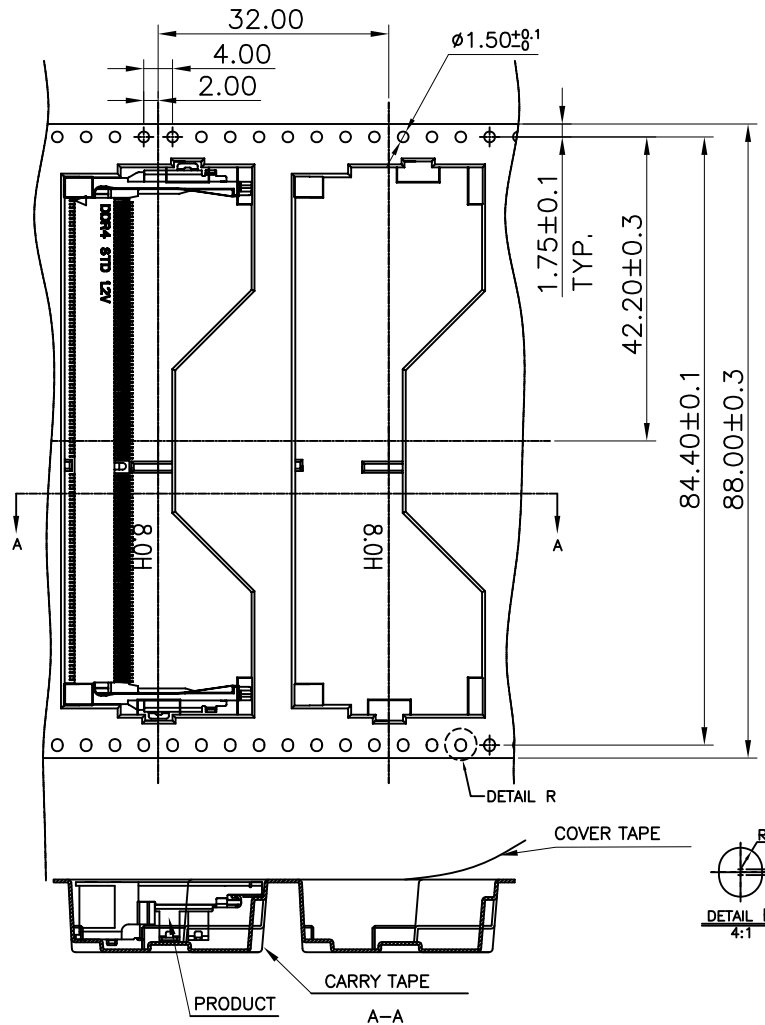
B

C

D

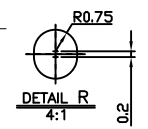
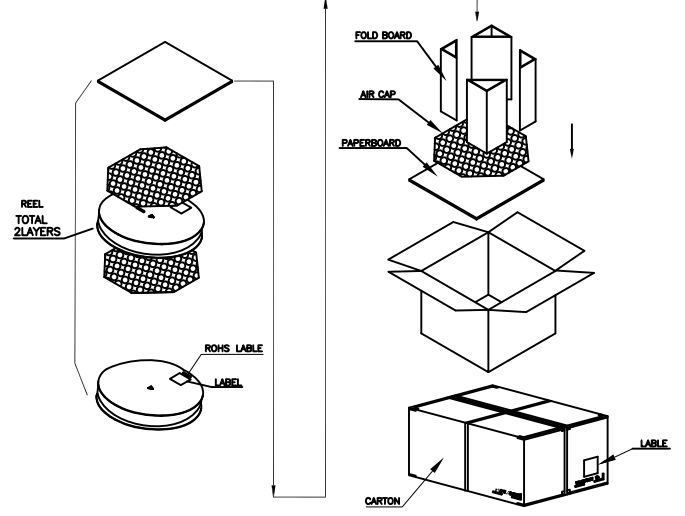
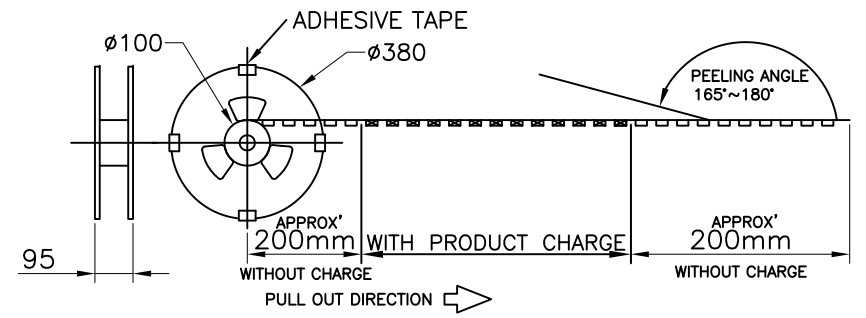
E


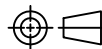
F



NOTES:

1. PACKING STYLE: 250 PCS/REEL  
500 PCS/OUTER CARTON
2. MATERIAL: CARRIER TAPE: PS BLACK  
COVER TAPE: PET FILM  
REEL: PLASTIC
3. PEEL STRENGTH OF COVER TAPE: 20~80g (PEEL SPEED 300mm/MINUTE)



PROPRIETARY NOTE: This document contains confidential information and proprietary to Rego Electronics and shall not be reproduced or disclosed to other documents or used for any purpose other than that for which was obtained without the expressed written consent of Rego Electronics.			
.X $\pm 0.30$	APPROVED: Chris	 <a href="http://www.rego.com.tw">http://www.rego.com.tw</a> TITLE: SO DIMM DDR4 R/A 260 PIN Standard Type H:9.2mm PART NO: 906DDR4-320A15	
.XX $\pm 0.20$	CHECKED: Andy		
.XXX $\pm 0.15$	DRAWN: Vic		
X* $\pm 3$			
 UNITS: mm SCALE: NONE	SHEET: 3 OF 3		

AO	20.4.2017
REV	DATE

1 2 3 4 5 6 7 8 9 10