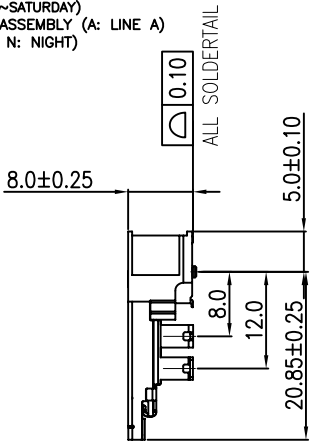
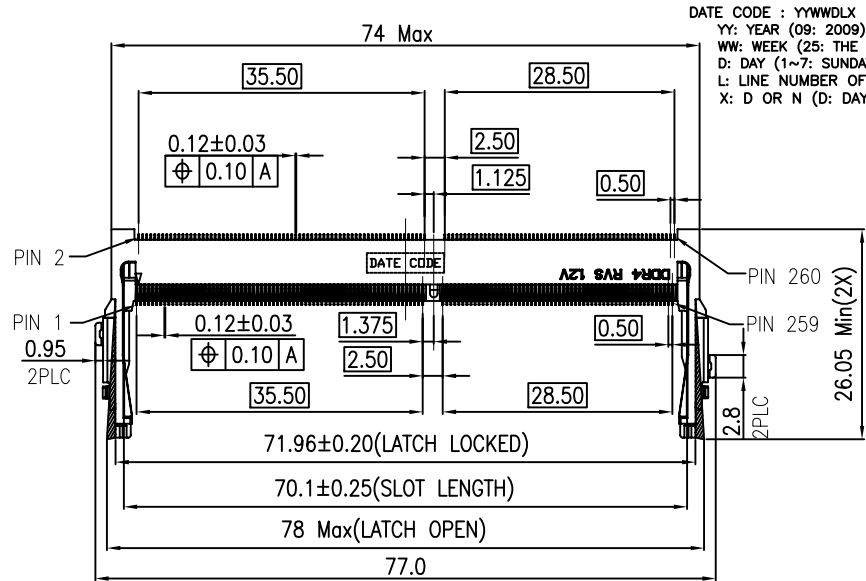
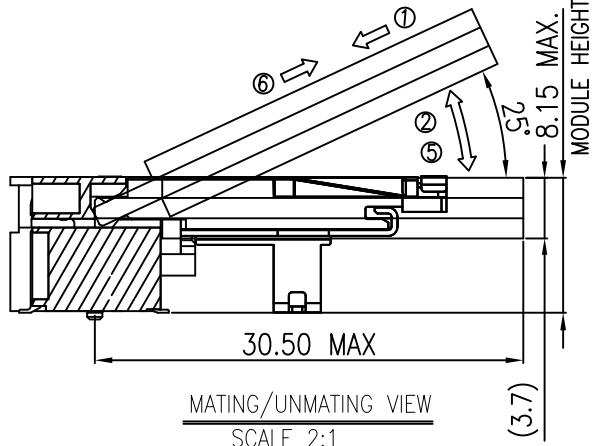
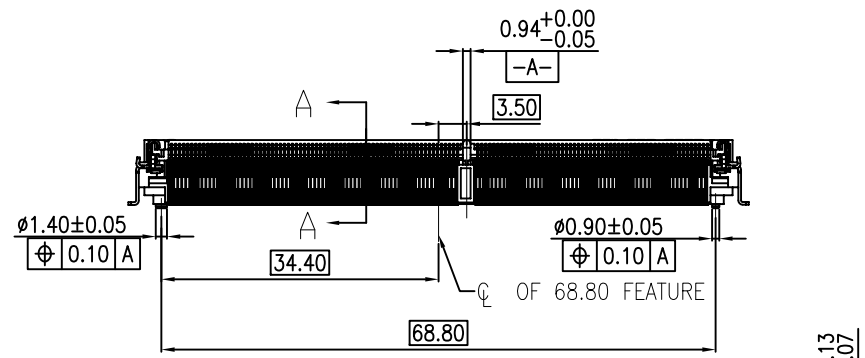


1 2 3 4 5 6 7 8 9 10

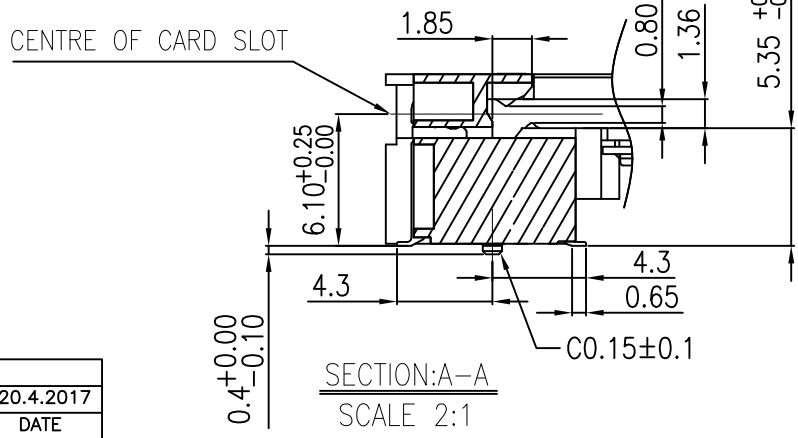
A
B
C
D
E
F




NOTES:
 1.MATERIAL:
 HOUSING: LCP, UL94V-0, Black
 CONTACT: PHOSPHOR BRONZE
 LATCH: STAINLESS
 2.FINISH:
 CONTACT:
 CONTACT AREA: G/F GOLD PLATED
 SOLDER AREA: G/F GOLD PLATED
 UNDER PLATING: NICKEL PLATED.
 LATCH:
 SOLDER AREA: G/F GOLD PLATED
 UNDER PLATING: NICKEL PLATED.
 3.SPECIFICATION:
 CURRENT RATING: 0.5A / (1PIN)
 VOLTAGE RATING: 25V AC
 DIELECTRIC WITHSTANDING: 125V AC FOR 1 MINUTE
 CONTACT RESISTANCE: 60mΩ Max.
 INSULATION RESISTANCE: 500MΩ Min
 OPERATING TEMPERATURE: -40°C to +85°C
 DURABILITY: 25 CYCLES MIN.



MATING: ① INSERTING(30°) → ② ROTATING → ③ FIXED
 UNMATING: ④ UNFIXED → ⑤ ROTATING → ⑥ WITHDRAWING



AO	20.4.2017
REV	DATE

PROPRIETARY NOTE: This document contains confidential information and proprietary to Rego Electronics and shall not be reproduced or disclosed to other documents or used for any purpose other than that for which was obtained without the expressed written consent of Rego Electronics.		
.X ± 0.30	APPROVED: Chris	 http://www.rego.com.tw
.XX ± 0.20	CHECKED: Andy	
.XXX ± 0.15	DRAWN: Vic	TITLE: SO DIMM DDR4 R/A 260 PIN Reverse Type H:8.0mm
X* ± 3'	UNITS: mm	SCALE: NONE
PART NO: 906DDR4-320A14		SHEET: 1 OF 3

1 2 3 4 5 6 7 8 9 10

1 2 3 4 5 6 7 8 9 10

A

B

C

D

E

F

A

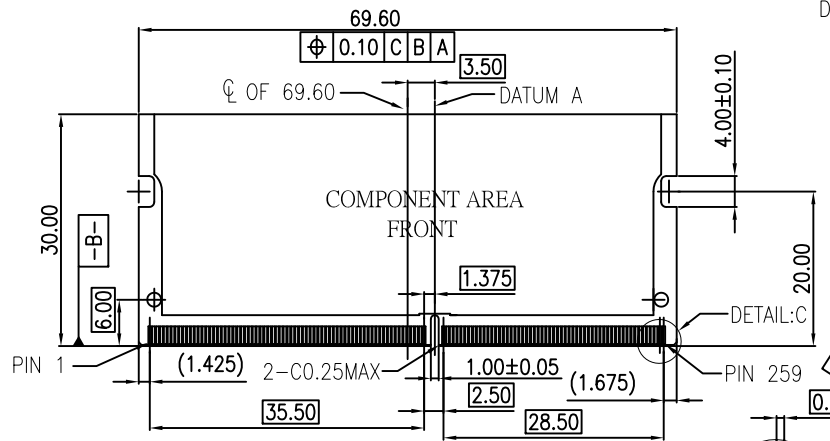
B

C

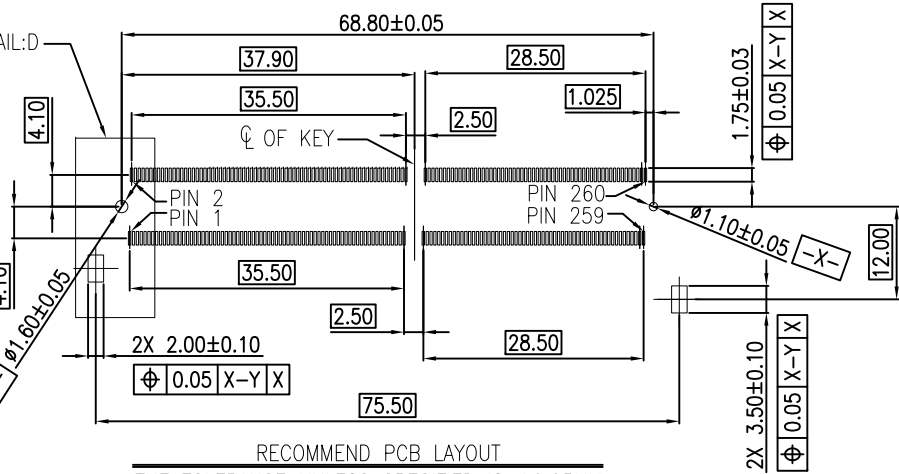
D

E

F

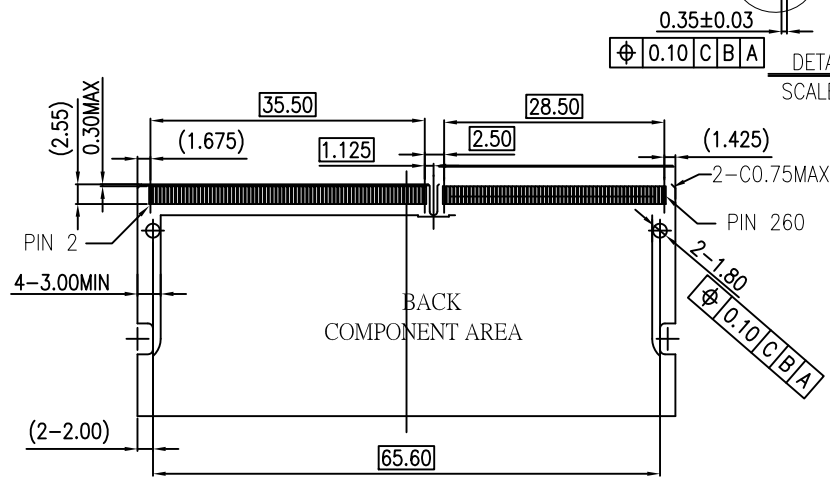


DETAIL:D

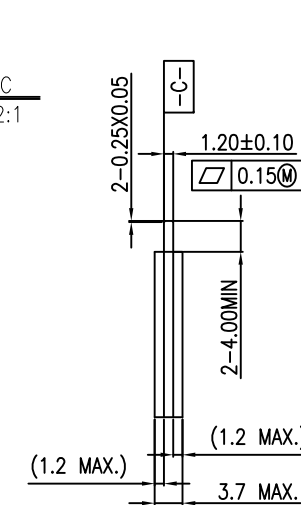


RECOMMEND PCB LAYOUT

THE TOLERANCE UNLESS SPECIFIED IS ±0.05MM




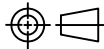
SCALE 2:1



SCALE 2:1

PROPRIETARY NOTE:

This document contains confidential information and proprietary to Rego Electronics and shall not be reproduced or disclosed to other documents or used for any purpose other than that for which was obtained without the expressed written consent of Rego Electronics.

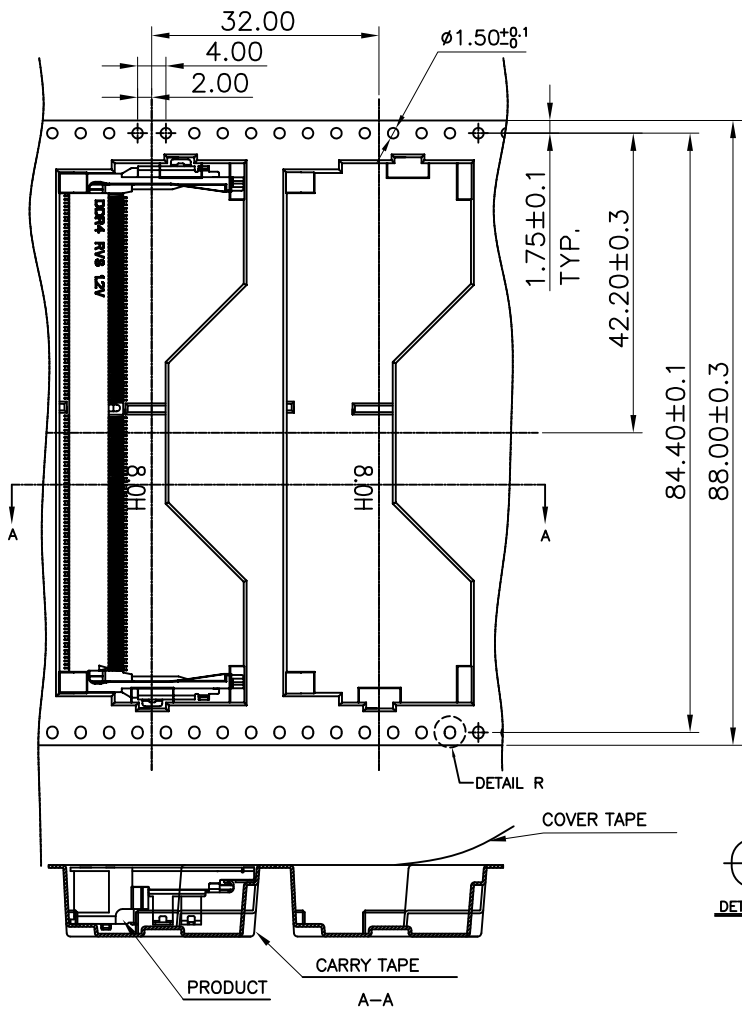
.X ± 0.30	APPROVED: Chris	 http://www.rego.com.tw
.XX ± 0.20	CHECKED: Andy	
.XXX ± 0.15	DRAWN: Vic	
X* ± 3'		
	UNITS: mm	SCALE: NONE
TITLE: SO DIMM DDR4 R/A 260 PIN Reverse Type H:8.0mm		PART NO: 906DDR4-320A14
SHEET: 2		OF 3

AO	20.4.2017
REV	DATE

1 2 3 4 5 6 7 8 9 10

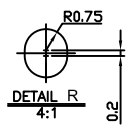
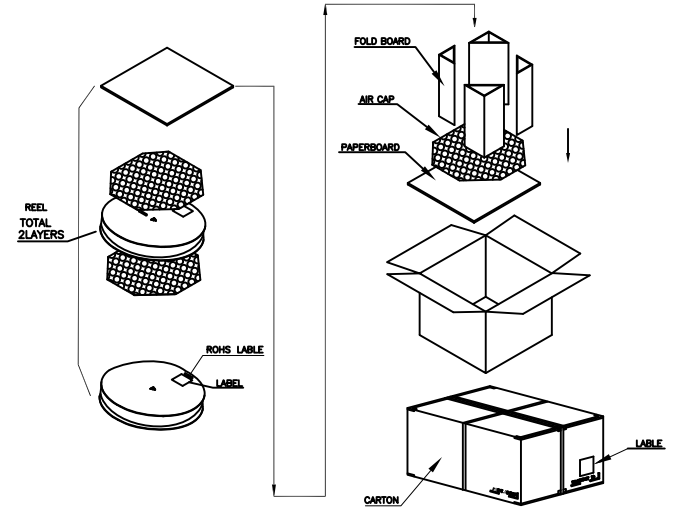
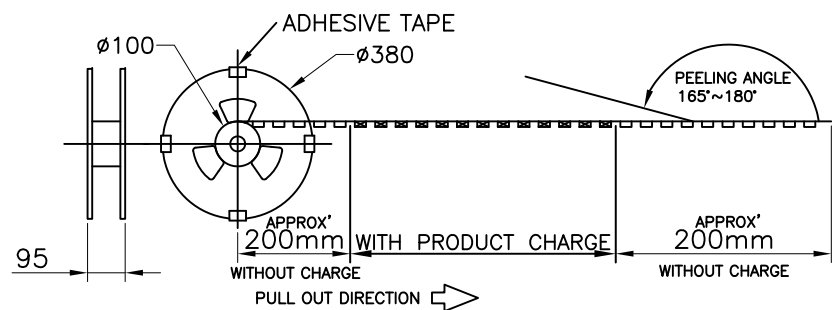
1 2 3 4 5 6 7 8 9 10

A
B
C
D
E
F




NOTES:

1. PACKING STYLE: 250 PCS/REEL
500 PCS/OUTER CARTON
2. MATERIAL: CARRIER TAPE: PS BLACK
COVER TAPE: PET FILM
REEL: PLASTIC
3. PEEL STRENGTH OF COVER TAPE: 20~80g (PEEL SPEED 300mm/MINUTE)



PROPRIETARY NOTE:
This document contains confidential information and proprietary to Rego Electronics and shall not be reproduced or disclosed to other documents or used for any purpose other than that for which was obtained without the expressed written consent of Rego Electronics.

.X ± 0.30	APPROVED: Chris	 http://www.rego.com.tw
.XX ± 0.20	CHECKED: Andy	
.XXX ± 0.15	DRAWN: Vic	TITLE: SO DIMM DDR4 R/A 260 PIN Reverse Type H:8.0mm
X* $\pm 3'$	UNITS: mm	PART NO: 906DDR4-320A14
	SCALE: NONE	SHEET: 3 OF 3

A0	20.4.2017
REV	DATE

1 2 3 4 5 6 7 8 9 10