

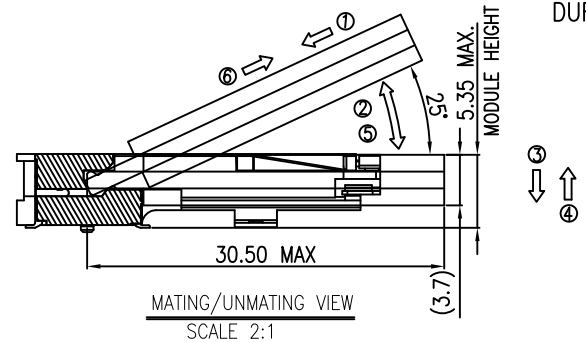
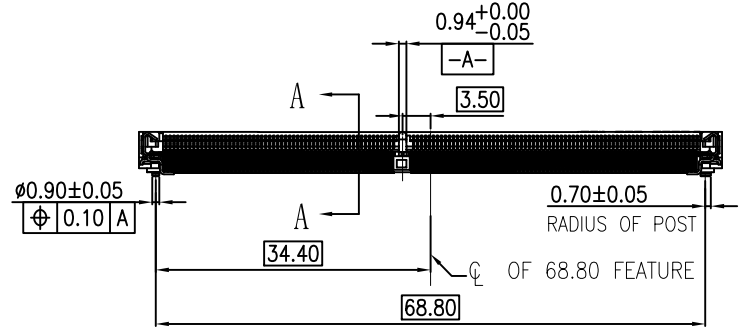
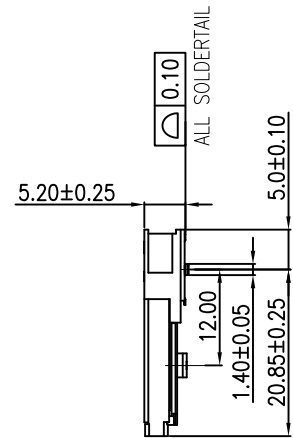
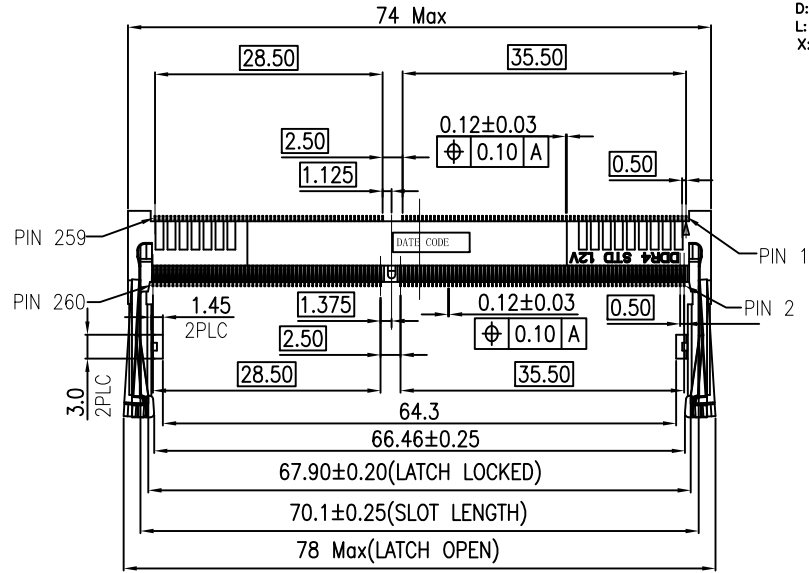
DATE CODE : YYWDLX  
 YY: YEAR (09: 2009)  
 WW: WEEK (25: THE 25TH WEEK)  
 D: DAY (1~7: SUNDAY~SATURDAY)  
 L: LINE NUMBER OF ASSEMBLY (A: LINE A)  
 X: D OR N (D: DAY; N: NIGHT)

NOTES:  
 1.MATERIAL:  
 HOUSING: LCP, UL94V-0, Black  
 CONTACT: PHOSPHOR BRONZE  
 LATCH: STAINLESS

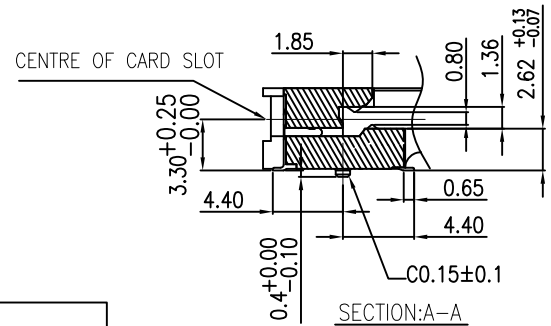
2.FINISH:  
 CONTACT:  
 CONTACT AREA: G/F GOLD PLATED  
 SOLDER AREA: G/F GOLD PLATED  
 UNDER PLATING: NICKEL PLATED.  
 LATCH:  
 SOLDER AREA: G/F GOLD PLATED  
 UNDER PLATING: NICKEL PLATED.

3.SPECIFICATION:  
 CURRENT RATING: 0.5A / (1PIN)  
 VOLTAGE RATING: 25V AC  
 DIELECTRIC WITHSTANDING: 125V AC FOR 1 MINUTE  
 CONTACT RESISTANCE: 60mΩ Max.  
 INSULATION RESISTANCE: 500MΩ Min  
 OPERATING TEMPERATURE: -40°C to +85°C  
 DURABILITY: 25 CYCLES MIN.

A  
B  
C  
D  
E  
F


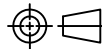


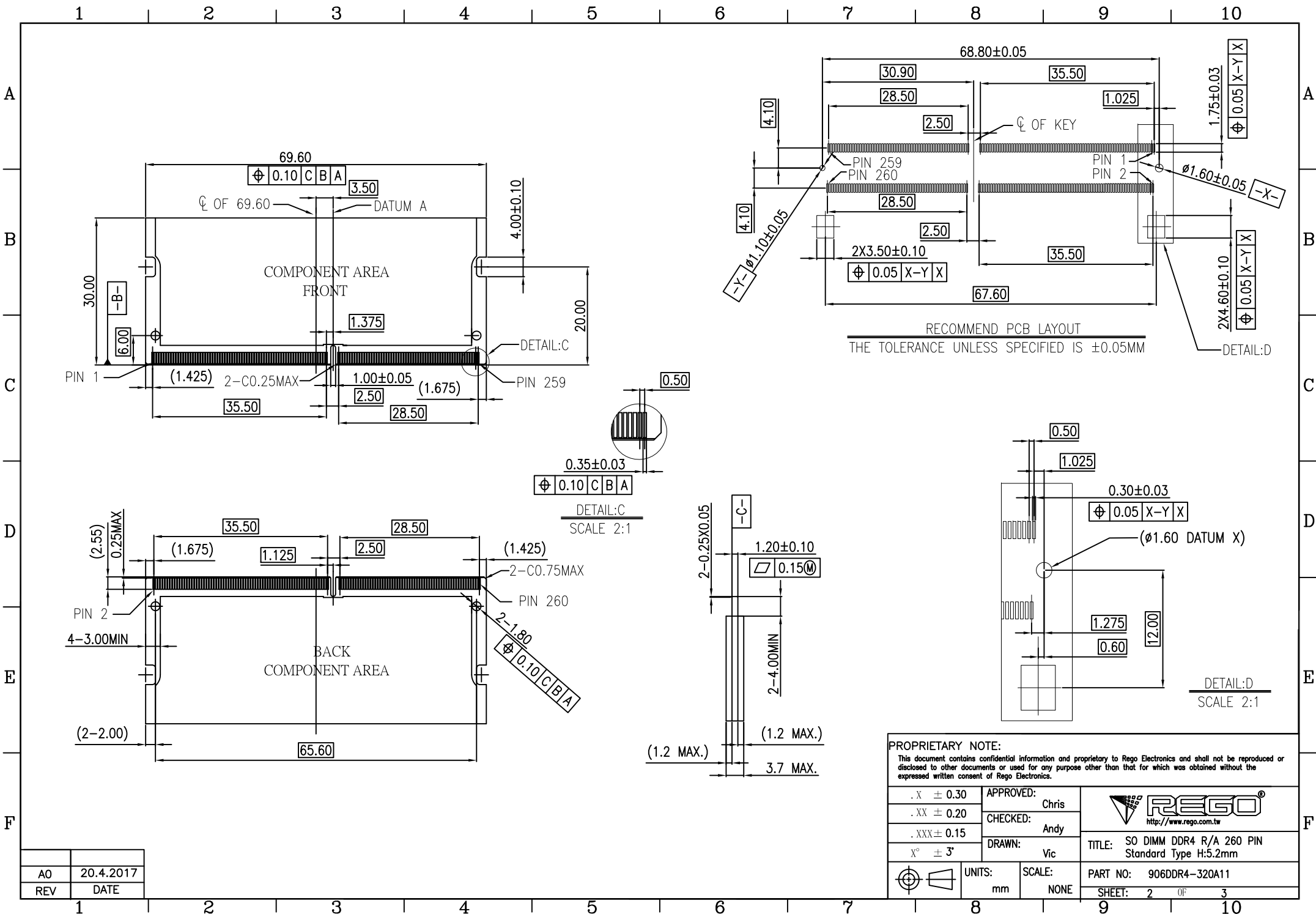
MATING: ① INSERTING(30°) — ② ROTATING — ③ FIXED  
 UNMATING: ④ UNFIXED — ⑤ ROTATING — ⑥ WITHDRAWING



SECTION:A-A  
 SCALE 2:1


AO	20.4.2017
REV	DATE

PROPRIETARY NOTE: This document contains confidential information and proprietary to Rego Electronics and shall not be reproduced or disclosed to other documents or used for any purpose other than that for which was obtained without the expressed written consent of Rego Electronics.		
.X ± 0.30	APPROVED: Chris	 <a href="http://www.rego.com.tw">http://www.rego.com.tw</a>
.XX ± 0.20	CHECKED: Andy	
.XXX ± 0.15	DRAWN: Vic	
X° ± 3°	UNITS: mm	TITLE: SO DIMM DDR4 R/A 260 PIN Standard Type H:5.2mm
	SCALE: NONE	PART NO: 906DDR4-320A11
		SHEET: 1 OF 3



AO	20.4.2017
REV	DATE

**PROPRIETARY NOTE:**  
This document contains confidential information and proprietary to Rego Electronics and shall not be reproduced or disclosed to other documents or used for any purpose other than that for which was obtained without the expressed written consent of Rego Electronics.

.X ± 0.30	APPROVED:	Chris	 <a href="http://www.rego.com.tw">http://www.rego.com.tw</a>
.XX ± 0.20	CHECKED:	Andy	
.XXX ± 0.15	DRAWN:	Vic	
X° ± 3'	UNITS:	SCALE:	TITLE: SO DIMM DDR4 R/A 260 PIN Standard Type H:5.2mm
	mm	NONE	PART NO: 906DDR4-320A11
			SHEET: 2 OF 3

1 2 3 4 5 6 7 8 9 10

A

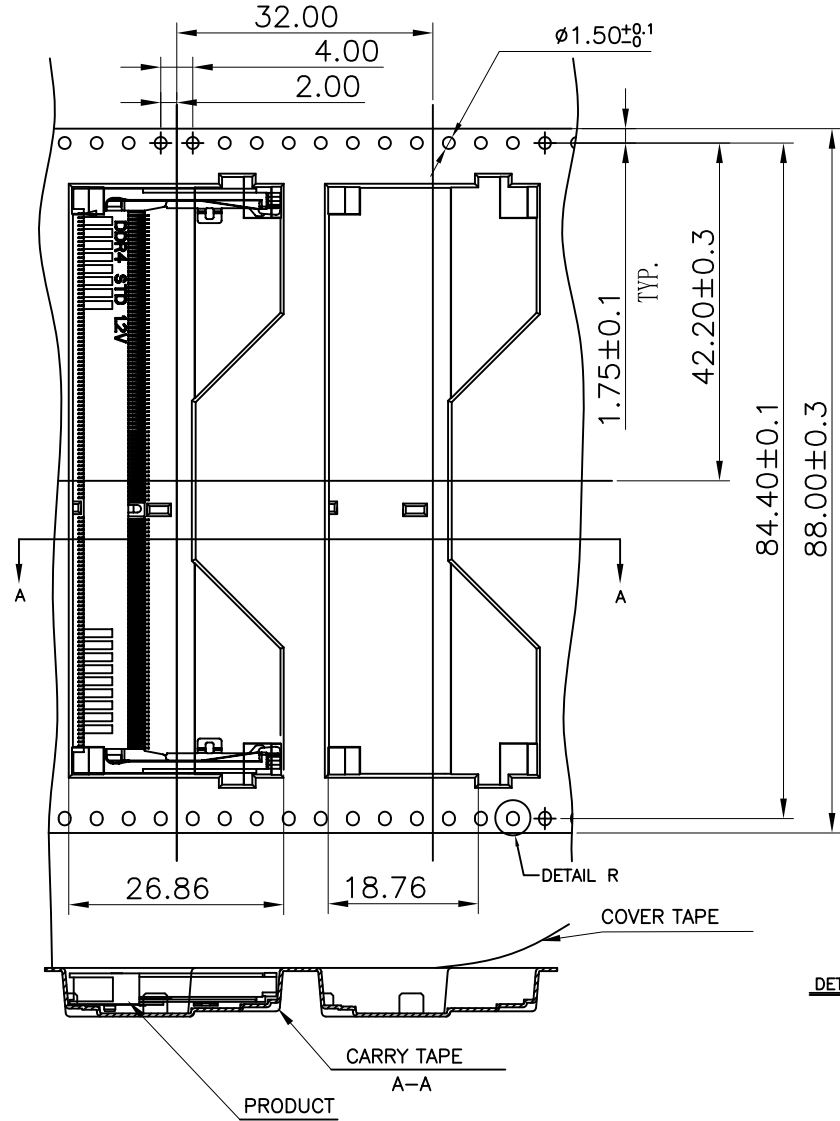
B

C

D

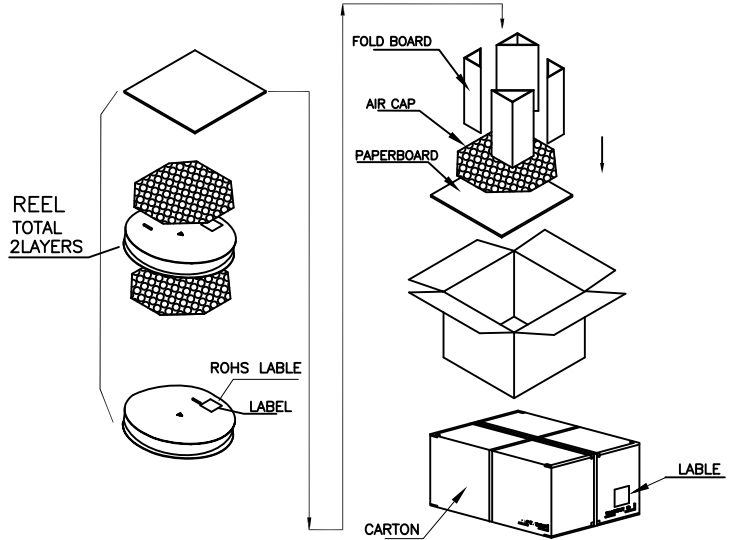
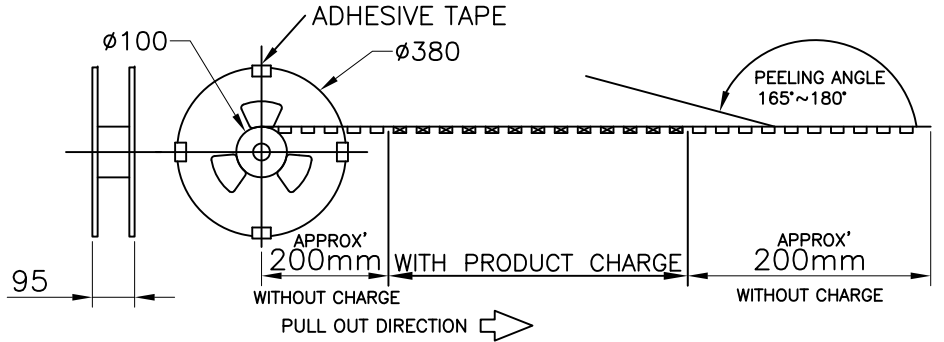
E

F


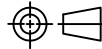


NOTES:

1. PACKING STYLE: 400 PCS/REEL  
800 PCS/OUTER CARTON
2. MATERIAL: CARRIER TAPE: PS BLACK  
COVER TAPE: PET FILM  
REEL: PLASTIC
3. PEEL STRENGTH OF COVER TAPE: 20~80g (PEEL SPEED 300mm/MINUTE)
4. CARTON SIZE: 400x395x240mm
5. G/W: 6.096 Kg , N/W: 3.232 Kg



PROPRIETARY NOTE:  
This document contains confidential information and proprietary to Rego Electronics and shall not be reproduced or disclosed to other documents or used for any purpose other than that for which was obtained without the expressed written consent of Rego Electronics.

. X $\pm 0.30$	APPROVED: Chris	 <a href="http://www.rego.com.tw">http://www.rego.com.tw</a>
. XX $\pm 0.20$	CHECKED: Andy	
. XXX $\pm 0.15$	DRAWN: Vic	
X° $\pm 3'$		
	UNITS: mm	SCALE: NONE
TITLE: SO DIMM DDR4 R/A 260 PIN Standard Type H:5.2mm		PART NO: 906DDR4-320A11
SHEET: 3		OF 3

AO	20.4.2017
REV	DATE

1 2 3 4 5 6 7 8 9 10