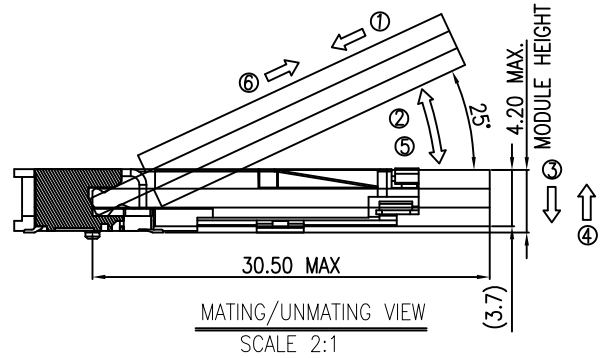
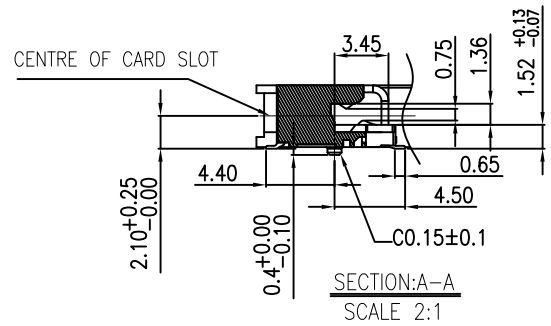
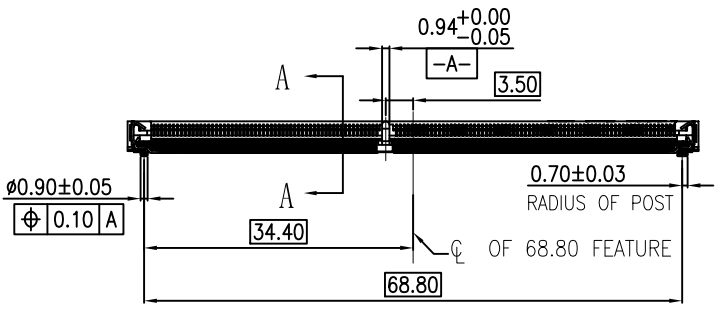
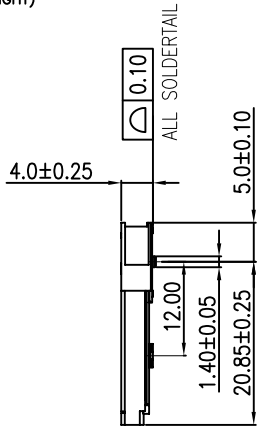
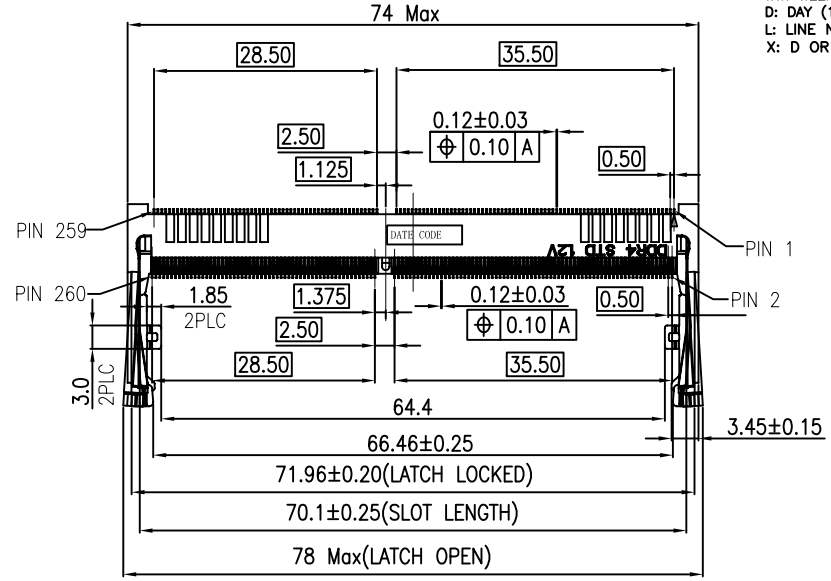



DATE CODE : YYWDX
 YY: YEAR (09: 2009)
 WW: WEEK (25: THE 25TH WEEK)
 D: DAY (1~7: SUNDAY~SATURDAY)
 L: LINE NUMBER OF ASSEMBLY (A: LINE A)
 X: D OR N (D: DAY; N: NIGHT)

NOTES:
 1.MATERIAL:
 HOUSING: LCP, UL94V-0, Black
 CONTACT: PHOSPHOR BRONZE
 LATCH: STAINLESS
 2.FINISH:
 CONTACT:
 CONTACT AREA: G/F GOLD PLATED
 SOLDER AREA: G/F GOLD PLATED
 UNDER PLATING: NICKEL PLATED.
 LATCH:
 SOLDER AREA: G/F GOLD PLATED
 UNDER PLATING: NICKEL PLATED.
 3.SPECIFICATION:
 CURRENT RATING: 0.5A / (1PIN)
 VOLTAGE RATING: 25V AC
 DIELECTRIC WITHSTANDING: 125V AC FOR 1 MINUTE
 CONTACT RESISTANCE: 60mΩ Max.
 INSULATION RESISTANCE: 500MΩ Min
 OPERATING TEMPERATURE: -40°C to +85°C
 DURABILITY: 25 CYCLES MIN.

A
B
C
D
E
F



MATING: ① INSERTING(25°) — ② ROTATING — ③ FIXED
 UNMATING: ④ UNFIXED — ⑤ ROTATING — ⑥ WITHDRAWING

PROPRIETARY NOTE: This document contains confidential information and proprietary to Rego Electronics and shall not be reproduced or disclosed to other documents or used for any purpose other than that for which was obtained without the expressed written consent of Rego Electronics.		
. X ± 0.30	APPROVED: Chris	 http://www.rego.com.tw
. XX ± 0.20	CHECKED: Andy	
. XXX ± 0.15	DRAWN: Vic	TITLE: SO DIMM DDR4 R/A 260 Pin Standard Type H:4.0mm
X° ± 3°	UNITS: mm	PART NO: 906DDR4-320A09
	SCALE: NONE	SHEET: 1 OF 3

AO	20.4.2017
REV	DATE

1 2 3 4 5 6 7 8 9 10

A

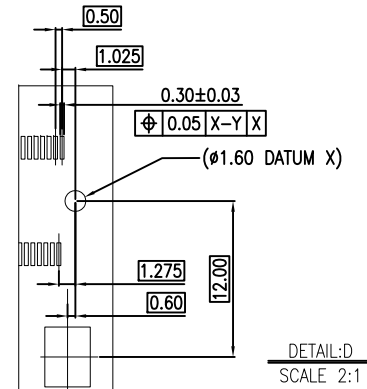
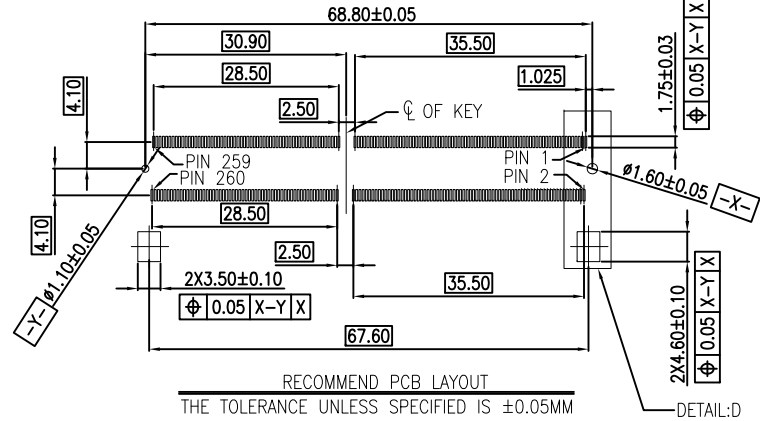
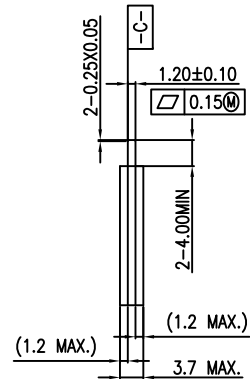
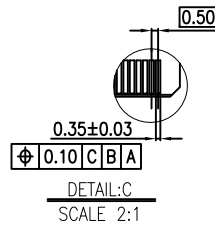
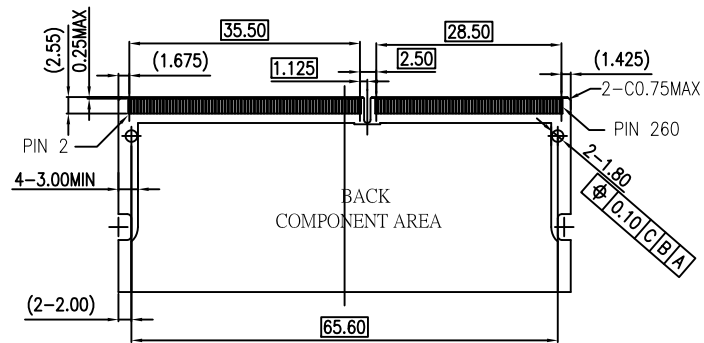
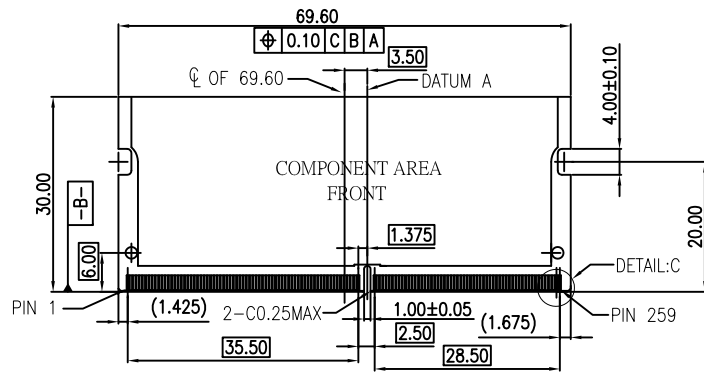
B

C

D


E

F



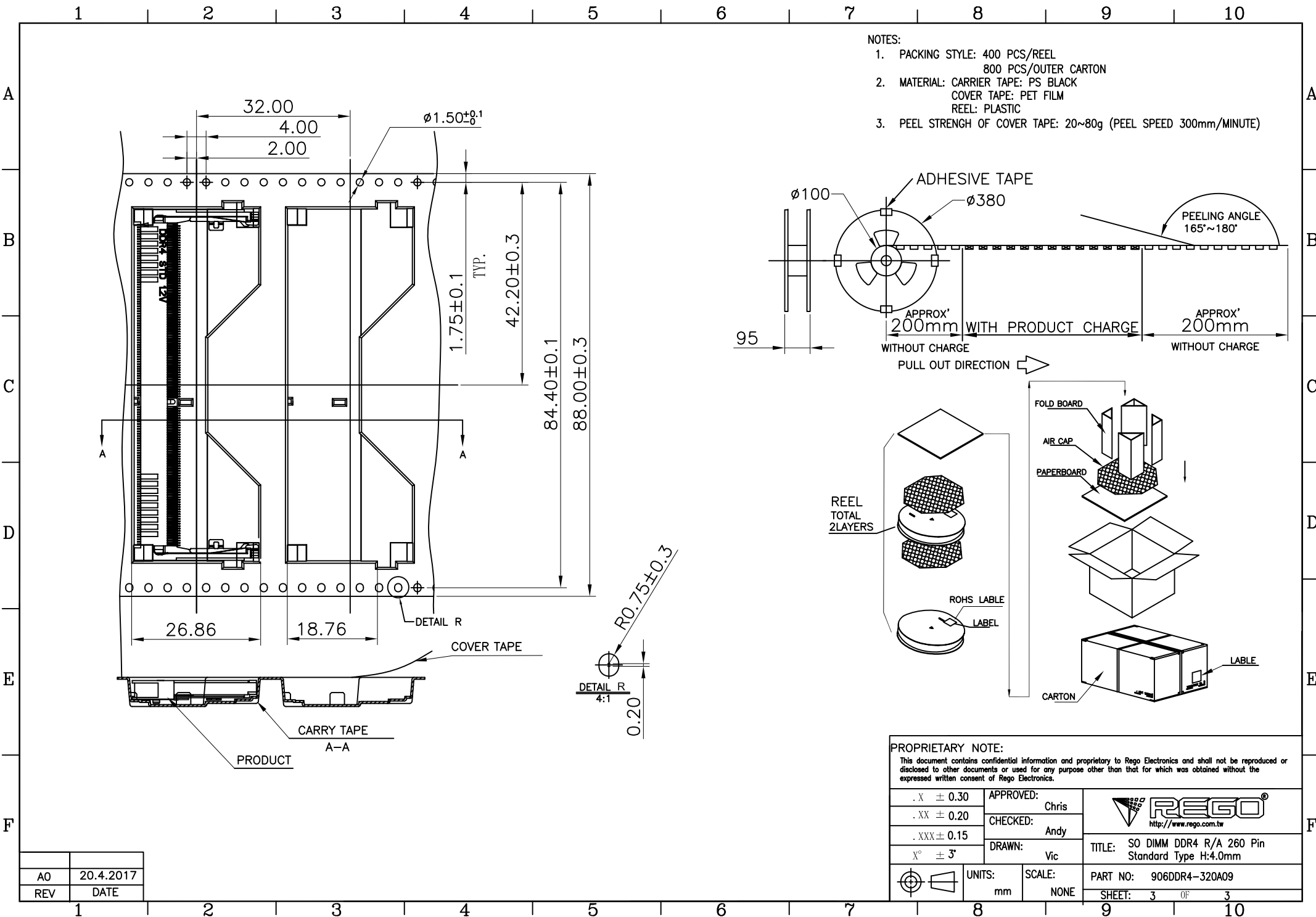
PROPRIETARY NOTE:

This document contains confidential information and proprietary to Rego Electronics and shall not be reproduced or disclosed to other documents or used for any purpose other than that for which was obtained without the expressed written consent of Rego Electronics.

. X ± 0.30	APPROVED: Chris	 http://www.rego.com.tw
. XX ± 0.20	CHECKED: Andy	
. XXX ± 0.15	DRAWN: Vic	
X° ± 3'	UNITS: mm	SCALE: NONE
TITLE: SO DIMM DDR4 R/A 260 Pin Standard Type H:4.0mm		PART NO: 906DDR4-320A09
SHEET: 2 OF 3		



AO	20.4.2017
REV	DATE

1 2 3 4 5 6 7 8 9 10



- NOTES:
1. PACKING STYLE: 400 PCS/REEL
800 PCS/OUTER CARTON
 2. MATERIAL: CARRIER TAPE: PS BLACK
COVER TAPE: PET FILM
REEL: PLASTIC
 3. PEEL STRENGTH OF COVER TAPE: 20~80g (PEEL SPEED 300mm/MINUTE)

PROPRIETARY NOTE:
This document contains confidential information and proprietary to Rego Electronics and shall not be reproduced or disclosed to other documents or used for any purpose other than that for which was obtained without the expressed written consent of Rego Electronics.

. X ± 0.30	APPROVED: Chris	 http://www.rego.com.tw
. XX ± 0.20	CHECKED: Andy	
. XXX ± 0.15	DRAWN: Vic	
X° $\pm 3'$	UNITS: mm	TITLE: SO DIMM DDR4 R/A 260 Pin Standard Type H:4.0mm
	SCALE: NONE	PART NO: 906DDR4-320A09
		SHEET: 3 OF 3

AO	20.4.2017
REV	DATE