

1 2 3 4 5 6 7 8 9 10

A

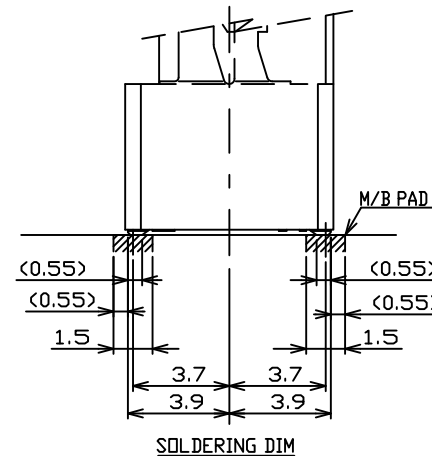
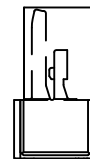
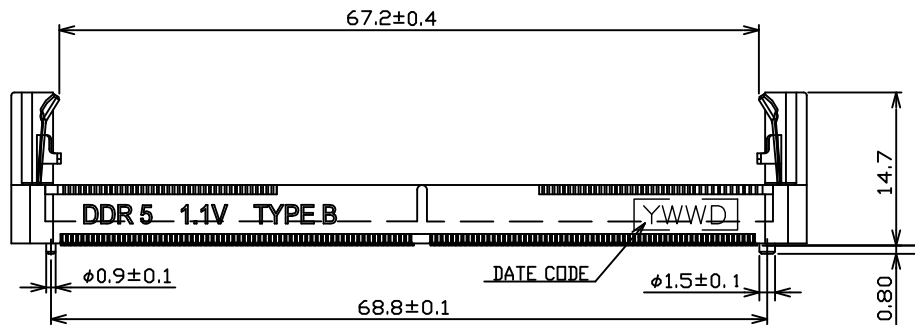
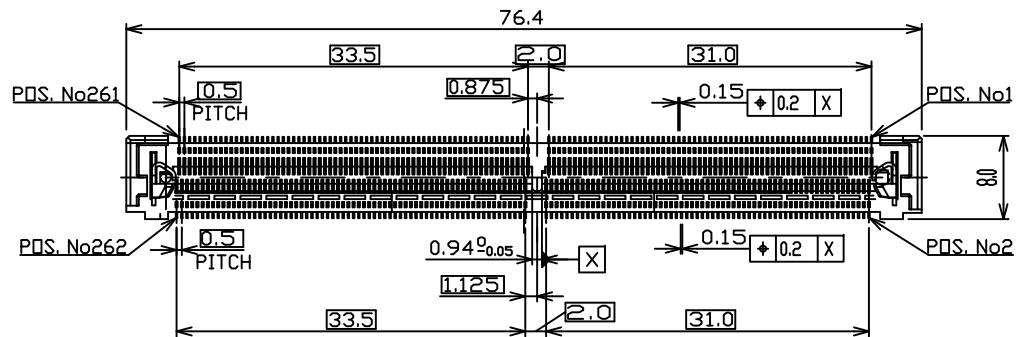
B

C

D

E

F



MUST BE MEASURED FLOATING AMOUNT OF CONTACT TAILS FROM DATAM SURFACE IS 0.1mm MAX.



NOTES:

1.MATERIAL:

HOUSING: LCP, UL94V-0, Black  
CONTACT: PHOSPHOR BRONZE (C5210)  
LATCH: STAINLESS (SUS301)

2.FINISH:


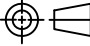
CONTACT:  
CONTACT AREA: G/F GOLD PLATED  
SOLDER AREA: G/F GOLD PLATED  
UNDER PLATING: NICKEL PLATED.  
LATCH:  
SOLDER AREA: G/F GOLD PLATED  
UNDER PLATING: NICKEL PLATED.

3.SPECIFICATION:

CURRENT RATING: 0.5A / (1PIN)  
VOLTAGE RATING: 25V AC  
DIELECTRIC WITHSTANDING: 125V AC FOR 1 MINUTE  
CONTACT RESISTANCE: 55MΩ MAX (INITIAL).  $\Delta 20M\Omega$  MAX  
INSULATION RESISTANCE: 500MΩ Min  
OPERATING TEMPERATURE: -55°C to +85°C  
DURABILITY: 25 CYCLES MIN.

PROPRIETARY NOTE:

This document contains confidential information and proprietary to Rego Electronics and shall not be reproduced or disclosed to other documents or used for any purpose other than that for which was obtained without the expressed written consent of Rego Electronics.

.X $\pm 0.30$	APPROVED: Chris	 <a href="http://www.rego.com.tw">http://www.rego.com.tw</a>
.XX $\pm 0.20$	CHECKED: Andy	
.XXX $\pm 0.15$	DRAWN: Vic	
X* $\pm 3$		TITLE: DDR5 SO DIMM 262 Pins Vertical Type
	UNITS: mm	SCALE: NONE
		PART NO: 906DDR5-05B000
		SHEET: 1 OF 4

AO	30.11.2022
REV	DATE

1 2 3 4 5 6 7 8 9 10

1 2 3 4 5 6 7 8 9 10

A

B

C

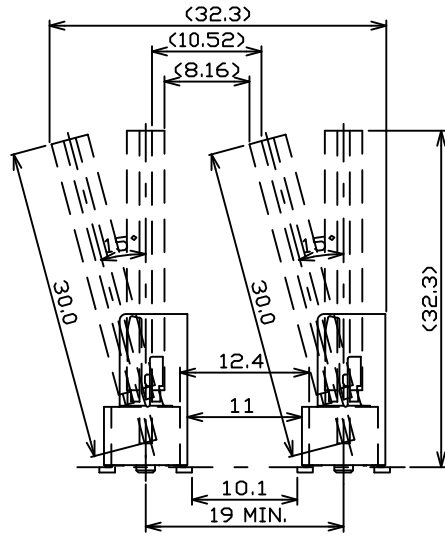
D

E

F

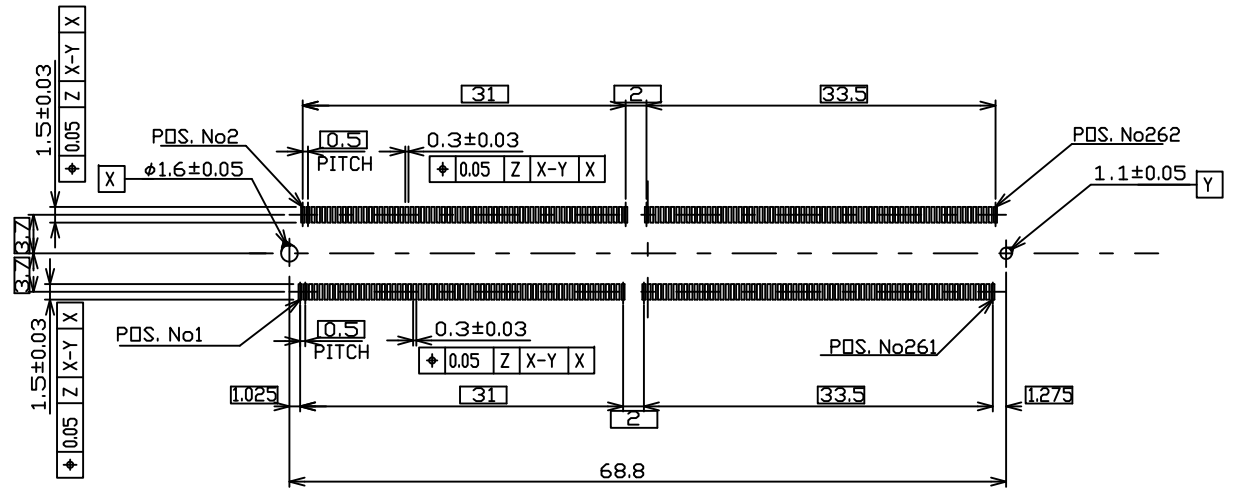
NOTES.

- 1 TOLERANCE ON DIMENSIONS IS  $\pm 0.15$  UNLESS OTHERWISE SPECIFIED.
- 2 A pcb side be DETAM "Z".



(906DDR5-05B000 + 906DDR5-05B000)

RECOMMENDED SOCKET MOUNTING LAYOUT




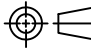
RECOMMENDED MOUNTING  
P.C. BOARD PATTERN LAYOUT DIM.

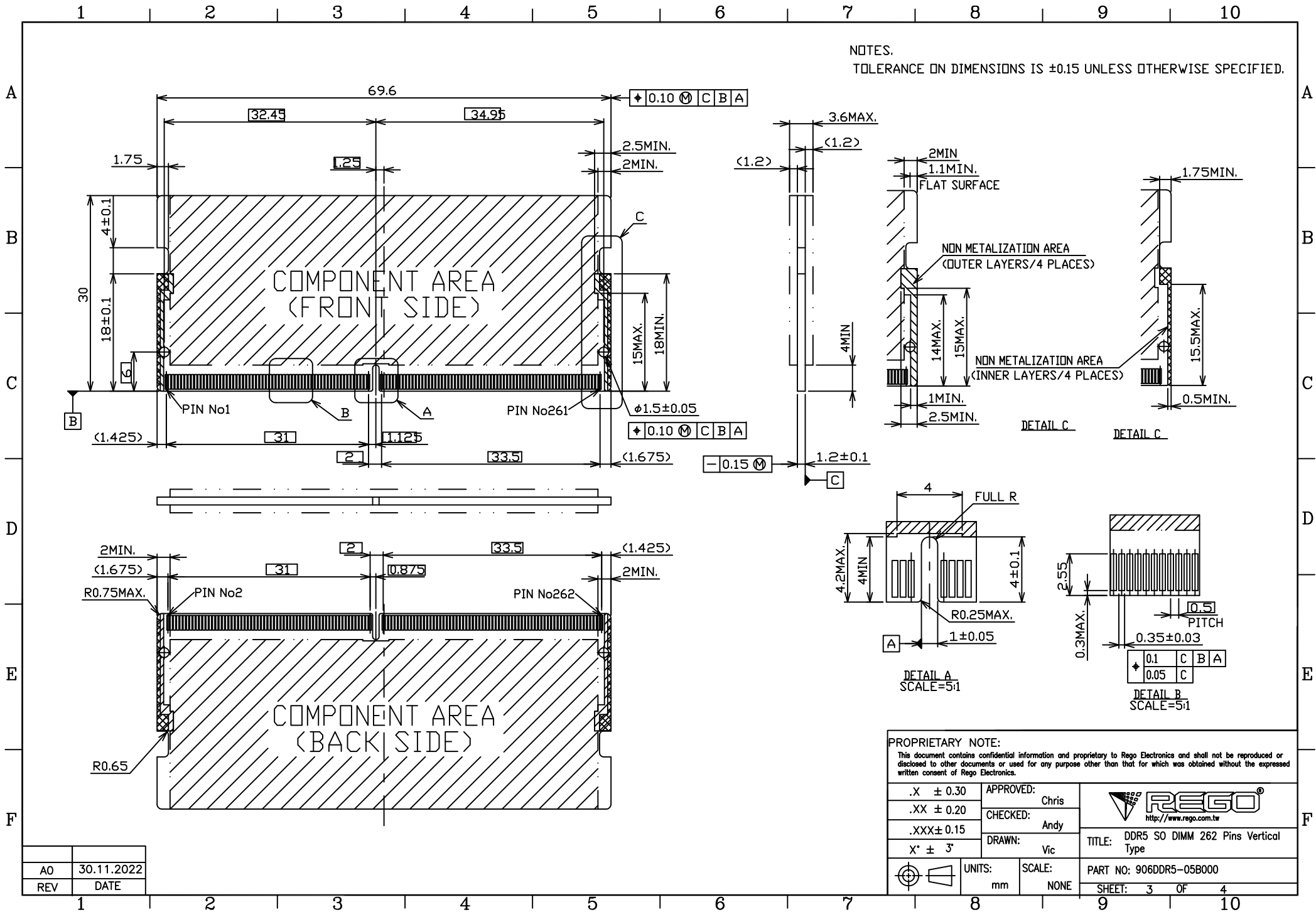
AO	30.11.2022
REV	DATE

1 2 3 4 5 6 7 8 9 10

PROPRIETARY NOTE:

This document contains confidential information and proprietary to Rego Electronics and shall not be reproduced or disclosed to other documents or used for any purpose other than that for which was obtained without the expressed written consent of Rego Electronics.

.X $\pm 0.30$	APPROVED: Chris	 <a href="http://www.rego.com.tw">http://www.rego.com.tw</a>	
.XX $\pm 0.20$	CHECKED: Andy		
.XXX $\pm 0.15$	DRAWN: Vic		
X' $\pm 3'$		TITLE: DDR5 SO DIMM 262 Pins Vertical Type	
	UNITS: mm	SCALE: NONE	PART NO: 906DDR5-05B000
			SHEET: 2 OF 4



1 2 3 4 5 6 7 8 9 10

A

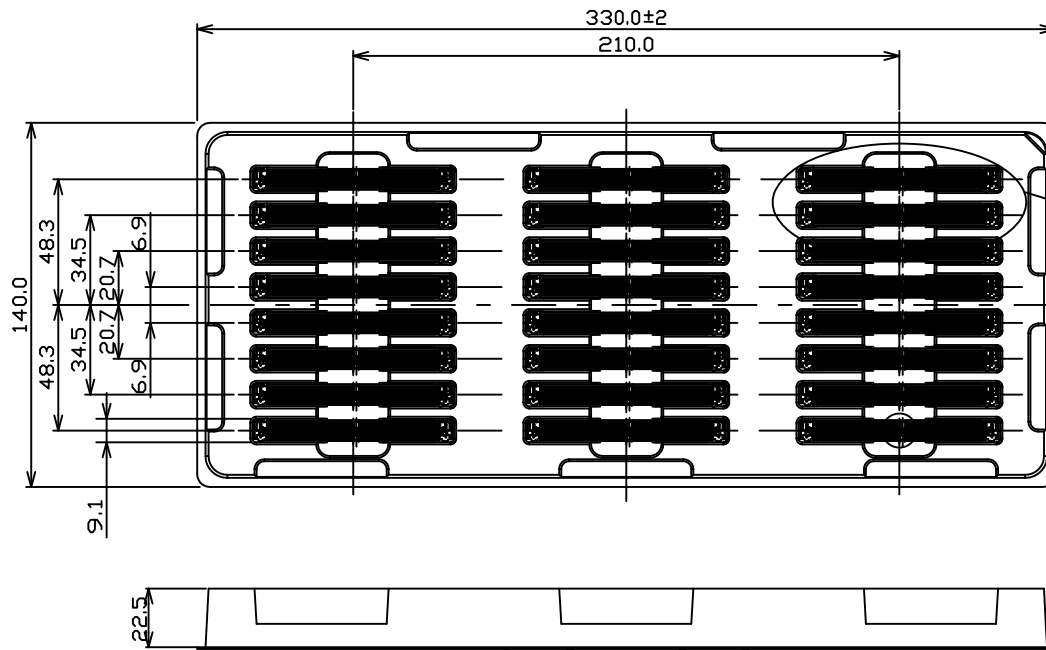
B

C

D

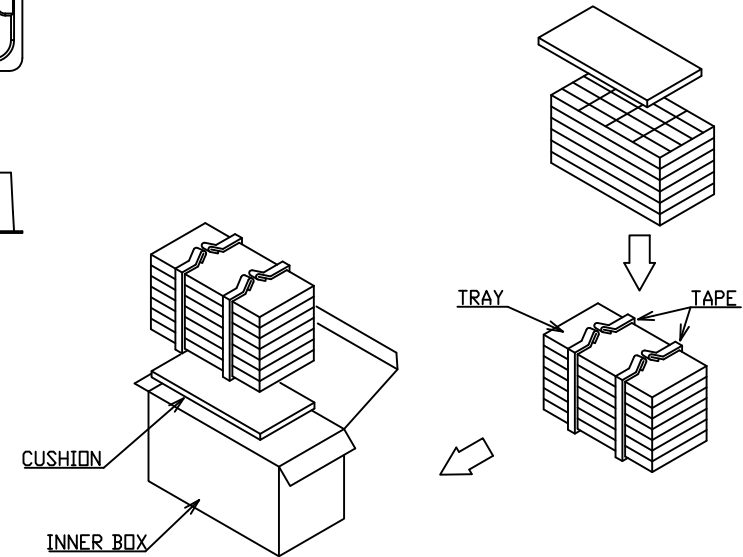
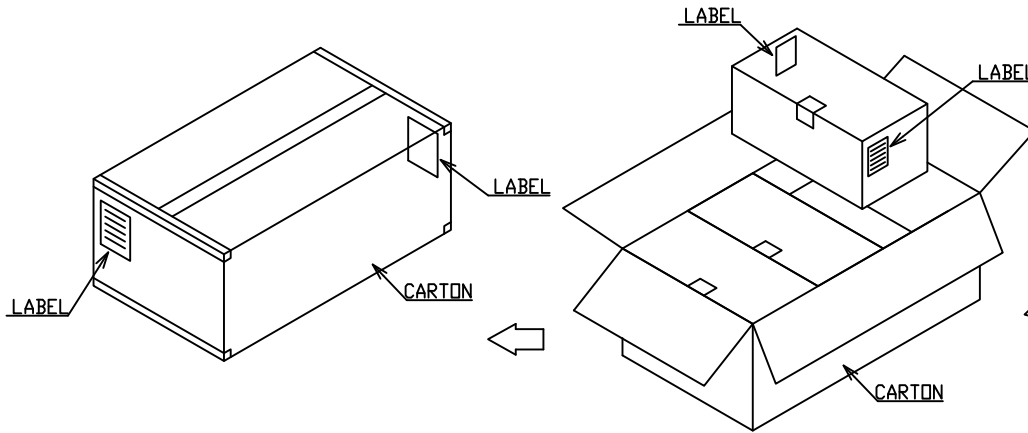
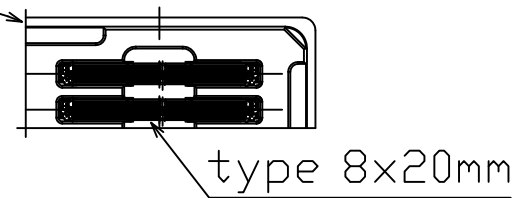
E

F




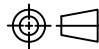
NOTES:

1. PACKING STYLE: 24 PCS/Tray  
144 PCS/INNER CARTON  
432 PCS/OUTER CARTON
2. MATERIAL: Tray: PET
3. G/W: 4.1 Kg , N/W: 2.1 Kg



PROPRIETARY NOTE:

This document contains confidential information and proprietary to Rego Electronics and shall not be reproduced or disclosed to other documents or used for any purpose other than that for which was obtained without the expressed written consent of Rego Electronics.

.X ± 0.30	APPROVED: Chris	 <a href="http://www.rego.com.tw">http://www.rego.com.tw</a>	
.XX ± 0.20	CHECKED: Andy		
.XXX ± 0.15	DRAWN: Vic		
X* ± 3'		TITLE: DDR5 SO DIMM 262 Pins Vertical Type	
	UNITS: mm	SCALE: NONE	PART NO: 906DDR5-05B000
			SHEET: 4 OF 4

AO	30.11.2022
REV	DATE

1 2 3 4 5 6 7 8 9 10