

1 2 3 4 5 6 7 8 9 10

A

B

C

D

E

F

NOTES:

1.MATERIAL:

HOUSING: LCP, UL94V-0, Black

CONTACT: PHOSPHOR BRONZE

LATCH: STAINLESS STEEL

2.FINISH:

CONTACT:

CONTACT AREA: G/F GOLD PLATED

SOLDER AREA: G/F GOLD PLATED

UNDER PLATING: NICKEL PLATED.

LATCH:

SOLDER AREA: MATTE TIN PLATED

UNDER PLATING: NICKEL PLATED.

3.SPECIFICATION:

CURRENT RATING: 0.5A / (1PIN)

VOLTAGE RATING: 25V AC

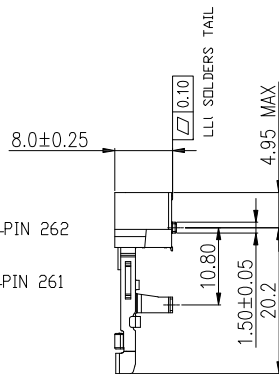
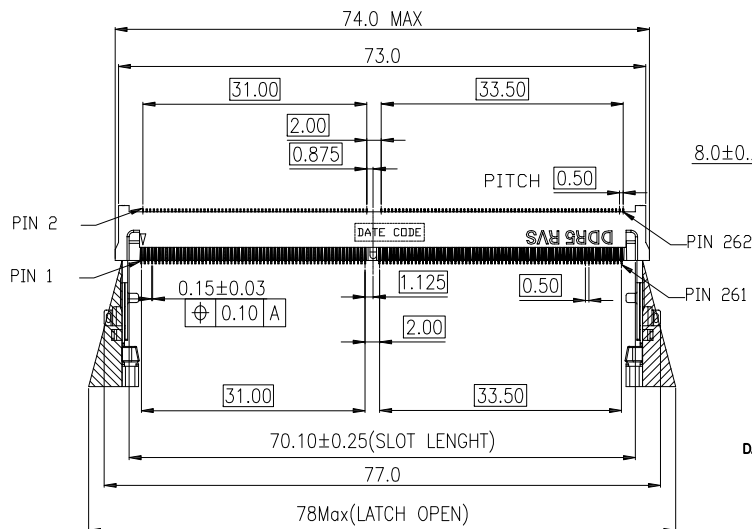
DIELECTRIC WITHSTANDING: 250V AC FOR 1 MINUTE

CONTACT RESISTANCE: 60mΩ Max.

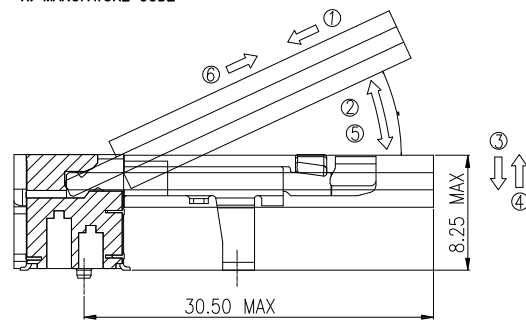
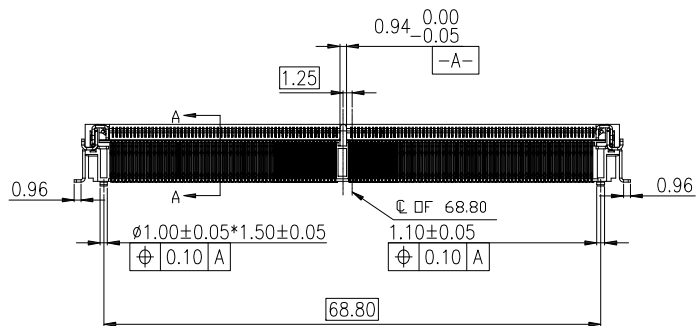
INSULATION RESISTANCE: 1MΩ Min

OPERATING TEMPERATURE: -55°C to +85°C

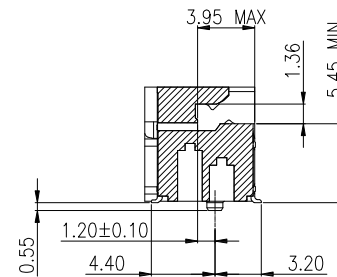
DURABILITY: 25 CYCLES MIN.



DATE CODE : YYWWDLX
 YY: YEAR (09: 2009)
 WW: WEEK (25: THE 25TH WEEK)
 D: DAY (1~7: SUNDAY~SATURDAY)
 L: LINE NUMBER OF ASSEMBLY (A: LINE A)
 X: MANUFACTURE CODE



MATING: ①INSERTING(25°) → ②ROTATING → ③FIXED
 UNMATING: ④UNFIXED → ⑤ROTATING → ⑥WITHDRAWING




SECTION:A-A
 SCALE 2:1

A0	05.1.2022
REV	DATE

1 2 3 4 5 6 7 8 9 10

PROPRIETARY NOTE:

This document contains confidential information and proprietary to Rego Electronics and shall not be reproduced or disclosed to other documents or used for any purpose other than that for which was obtained without the expressed written consent of Rego Electronics.

.X ± 0.30	APPROVED: Chris	 http://www.rego.com.tw
.XX ± 0.20	CHECKED: Andy	
.XXX ± 0.15	DRAWN: Vic	
X* ± 3"		
UNITS: mm	SCALE: NONE	TITLE: SO DIMM DDR5 R/A 262 Pins Reverse Type H:8.0mm
		PART NO: 906DDR5-01B800
		SHEET: 1 OF 3

A

B

C

D

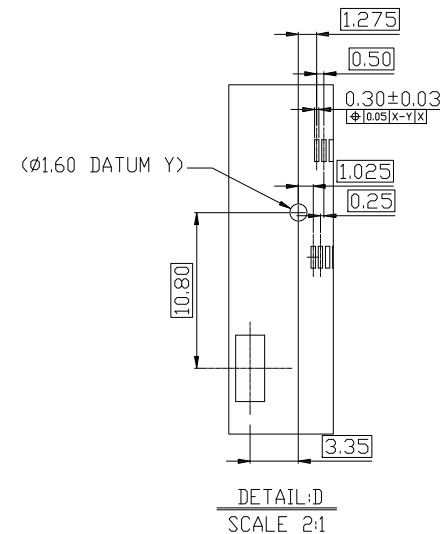
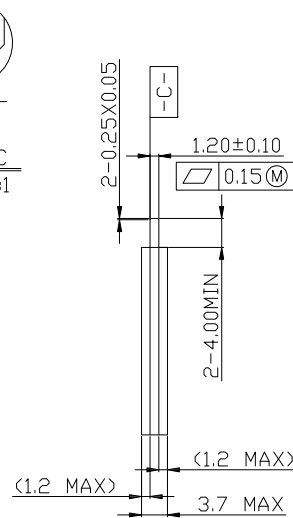
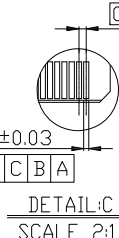
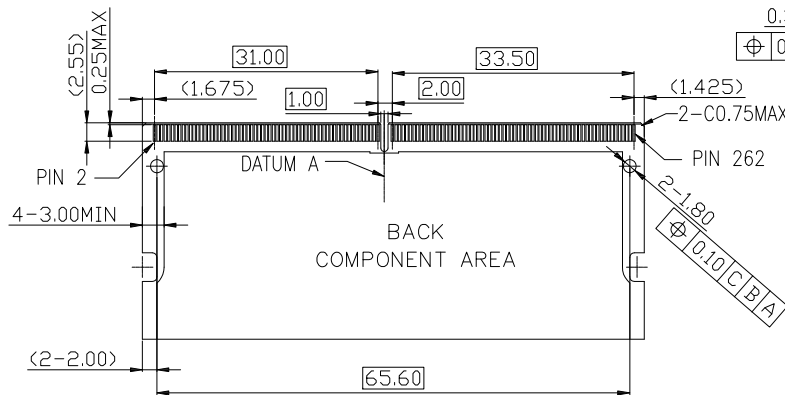
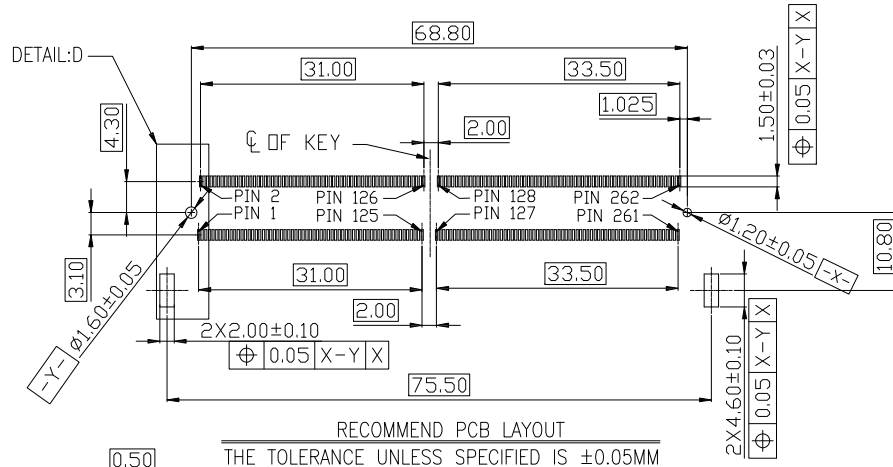
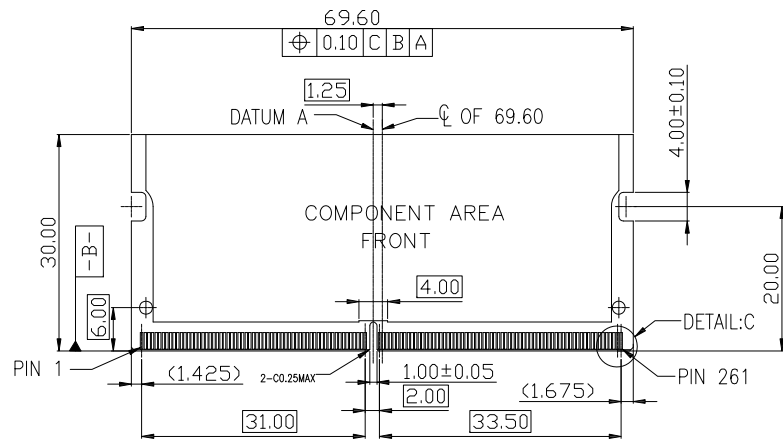
E

F

1 2 3 4 5 6 7 8 9 10


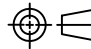
A
B
C
D
E
F

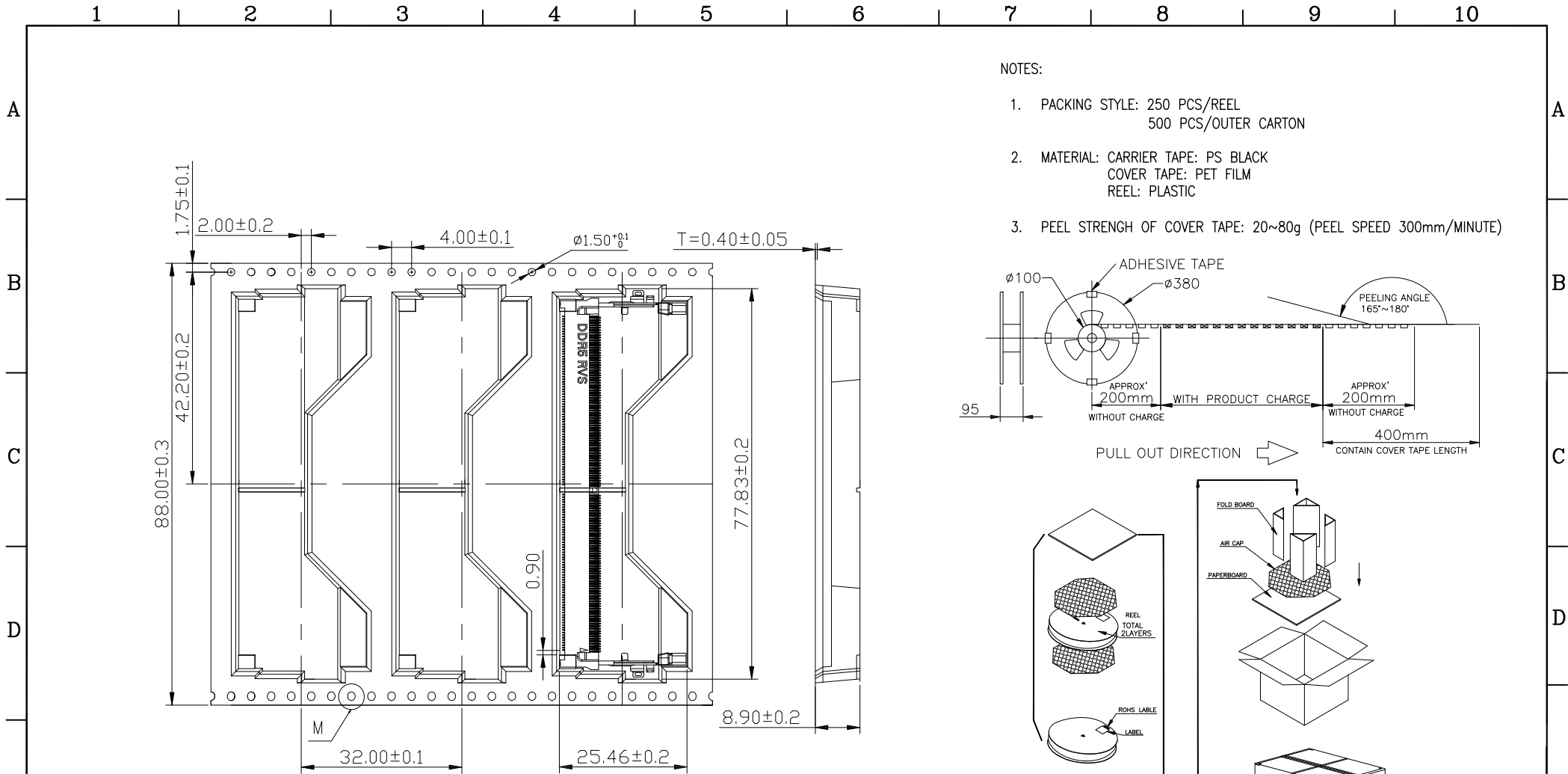
A
B
C
D
E
F



A0	05.1.2022
REV	DATE

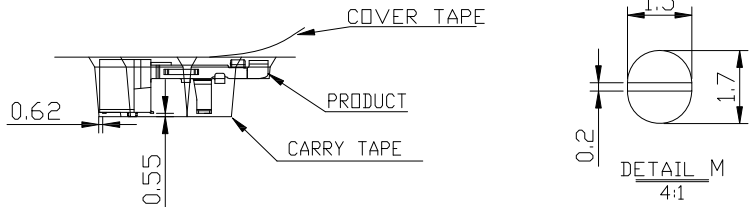
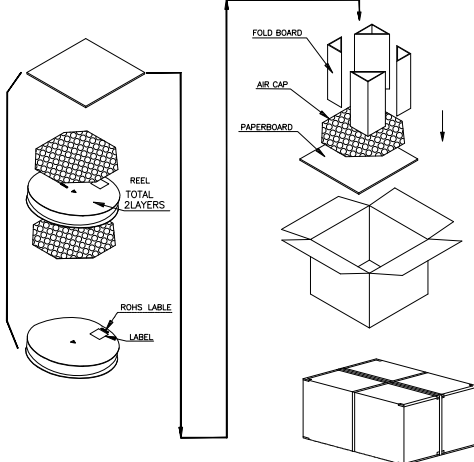
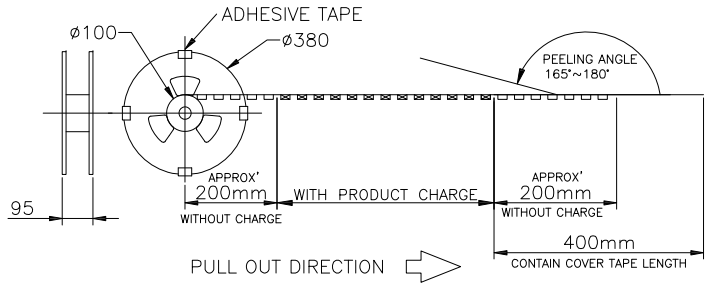
1 2 3 4 5 6 7 8 9 10

PROPRIETARY NOTE: This document contains confidential information and proprietary to Rego Electronics and shall not be reproduced or disclosed to other documents or used for any purpose other than that for which was obtained without the expressed written consent of Rego Electronics.			
.X ± 0.30	APPROVED: Chris	 http://www.rego.com.tw TITLE: SO DIMM DDR5 R/A 262 Pins Reverse Type H:8.0mm	
.XX ± 0.20	CHECKED: Andy		
.XXX ± 0.15	DRAWN: Vic		
X* ± 3"			
	UNITS: mm	SCALE: NONE	PART NO: 906DDR5-01B800
			SHEET: 2 OF 3




NOTES:

- PACKING STYLE: 250 PCS/REEL
500 PCS/OUTER CARTON
- MATERIAL: CARRIER TAPE: PS BLACK
COVER TAPE: PET FILM
REEL: PLASTIC
- PEEL STRENGTH OF COVER TAPE: 20~80g (PEEL SPEED 300mm/MINUTE)



A0	05.1.2022
REV	DATE

<p>PROPRIETARY NOTE: This document contains confidential information and proprietary to Rego Electronics and shall not be reproduced or disclosed to other documents or used for any purpose other than that for which was obtained without the expressed written consent of Rego Electronics.</p>		
.X ± 0.30	APPROVED: Chris	 http://www.rego.com.tw
.XX ± 0.20	CHECKED: Andy	
.XXX ± 0.15	DRAWN: Vic	
X* ± 3*	UNITS: mm	SCALE: NONE
<p>TITLE: SO DIMM DDR5 R/A 262 Pins Reverse Type H:8.0mm</p>		<p>PART NO: 906DDR5-01B800</p>
<p>SHEET: 3 OF 3</p>		