

1 2 3 4 5 6 7 8 9 10

A

B

C

D

E

F

NOTES:

1.MATERIAL:

HOUSING: LCP, UL94V-0, Black
CONTACT: PHOSPHOR BRONZE
LATCH: STAINLESS STEEL

2.FINISH:

CONTACT:

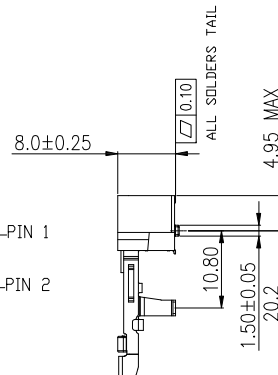
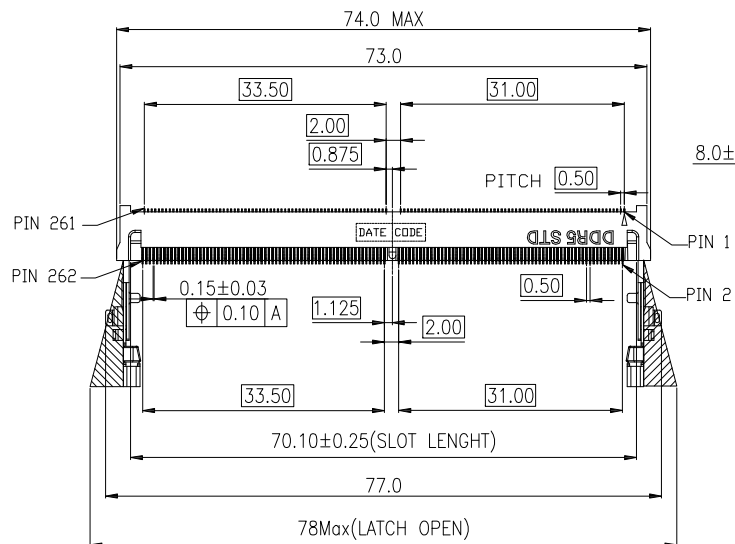
CONTACT AREA: G/F GOLD PLATED
SOLDER AREA: G/F GOLD PLATED
UNDER PLATING: NICKEL PLATED.

LATCH:

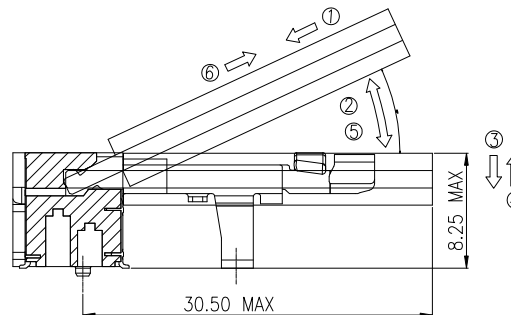
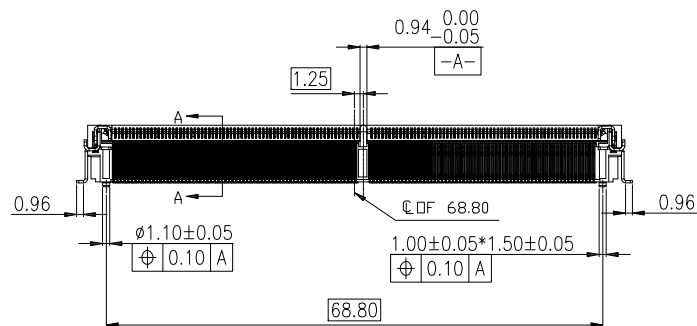
SOLDER AREA: MATTE TIN PLATED
UNDER PLATING: NICKEL PLATED.

3.SPECIFICATION:

CURRENT RATING: 0.5A / (1PIN)
VOLTAGE RATING: 25V AC
DIELECTRIC WITHSTANDING: 250V AC FOR 1 MINUTE
CONTACT RESISTANCE: 60mΩ Max.
INSULATION RESISTANCE: 1MΩ Min
OPERATING TEMPERATURE: -55°C to +85°C
DURABILITY: 25 CYCLES MIN.

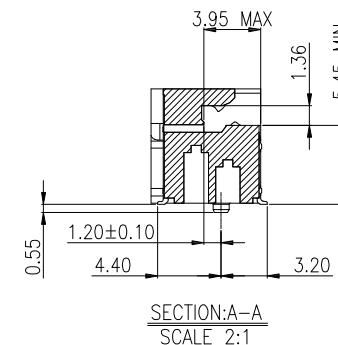


DATE CODE : YYWDLX
YY: YEAR (09: 2009)
WW: WEEK (25: THE 25TH WEEK)
D: DAY (1~7: SUNDAY~SATURDAY)
L: LINE NUMBER OF ASSEMBLY (A: LINE A)
X: MANUFACTURE CODE




MATING/UNMATING VIEW

MATING: ①INSERTING(25°) → ②ROTATING → ③FIXED
UNMATING: ④UNFIXED → ⑤ROTATING → ⑥WITHDRAWING



PROPRIETARY NOTE:

This document contains confidential information and proprietary to Rego Electronics and shall not be reproduced or disclosed to other documents or used for any purpose other than that for which was obtained without the expressed written consent of Rego Electronics.

.X ± 0.30	APPROVED: Chris	 http://www.rego.com.tw
.XX ± 0.20	CHECKED: Andy	
.XXX ± 0.15	DRAWN: Vic	
X* ± 3*	UNITS: mm	TITLE: SO DIMM DDR5 R/A 262 Pins Standard Type H:8.0mm
SCALE: NONE		PART NO: 906DDR5-01A800
		SHEET: 1 OF 3

A0	05.1.2022
REV	DATE

1 2 3 4 5 6 7 8 9 10

1 2 3 4 5 6 7 8 9 10

A

B

C

D

E

F

A

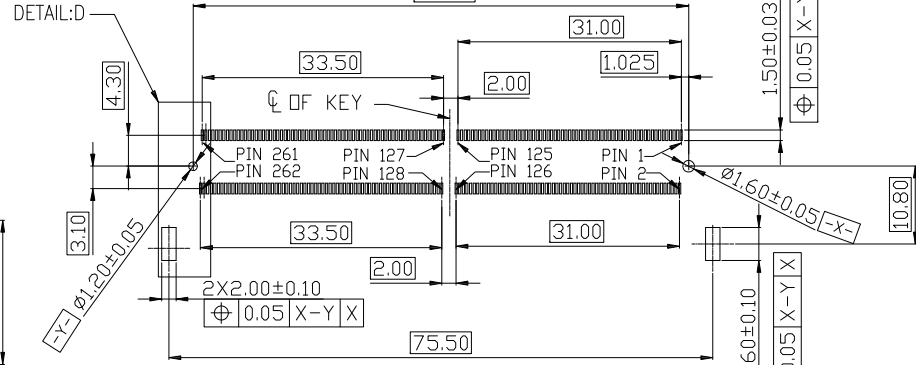
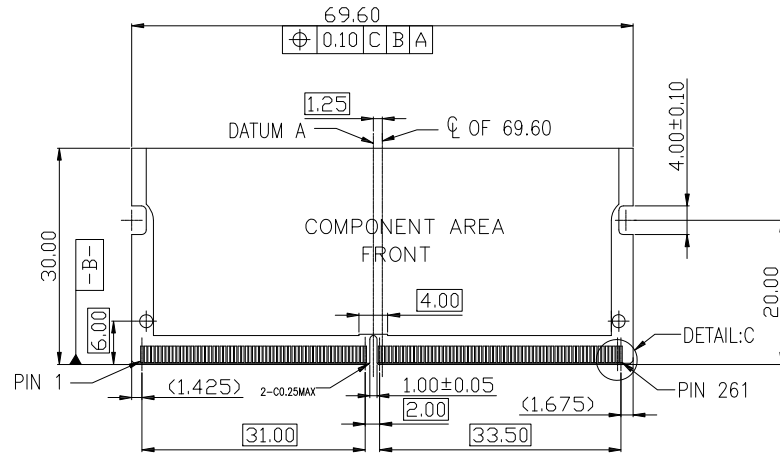
B

C

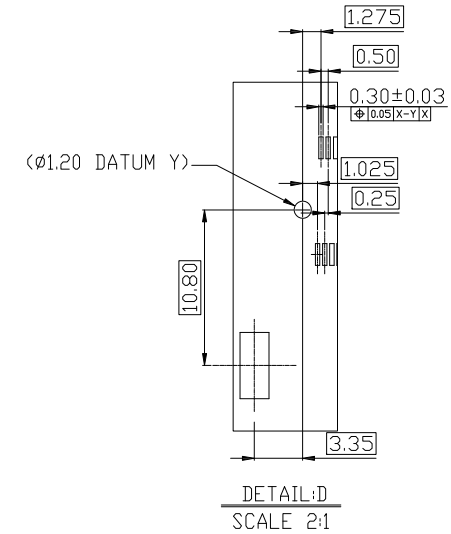
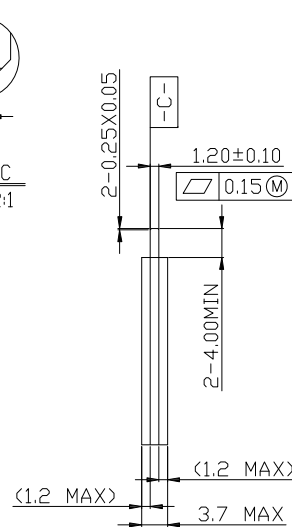
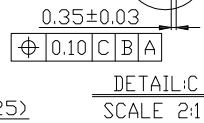
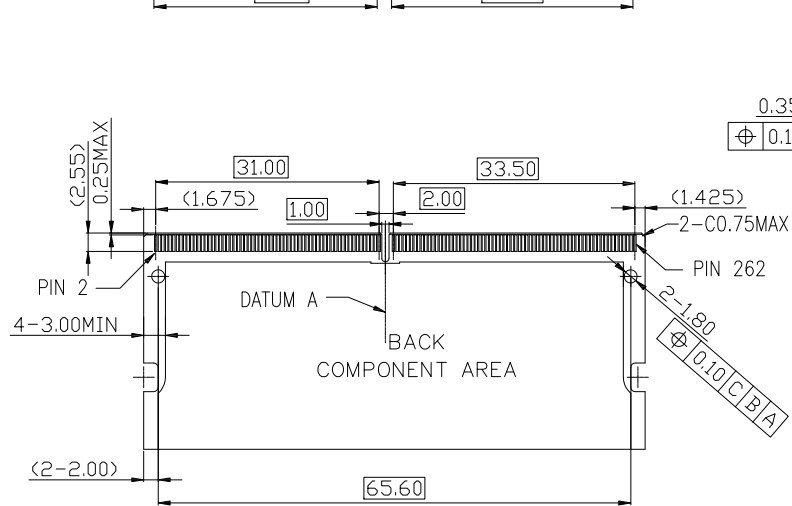
D

E

F



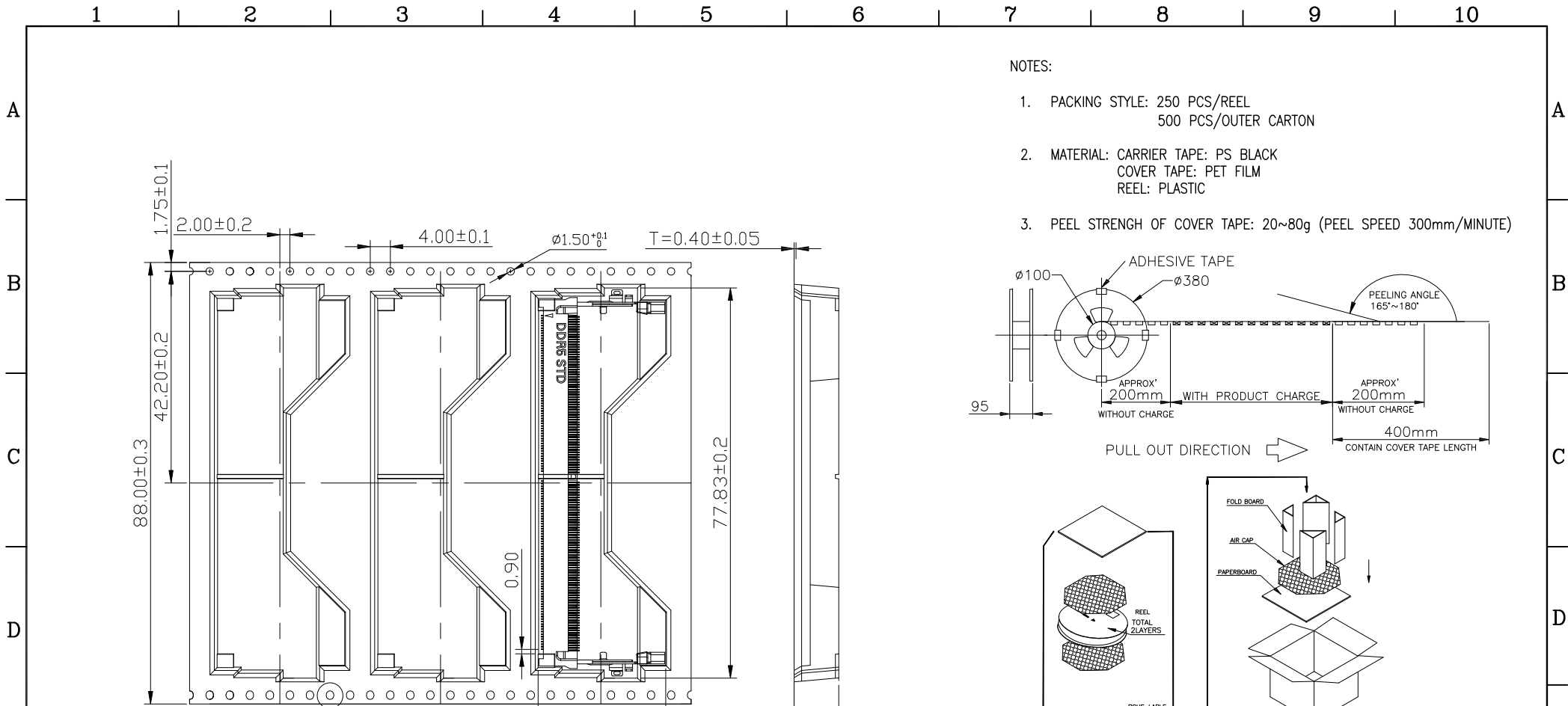
RECOMMEND PCB LAYOUT
 THE TOLERANCE UNLESS SPECIFIED IS ± 0.05 MM



A0	05.1.2022
REV	DATE

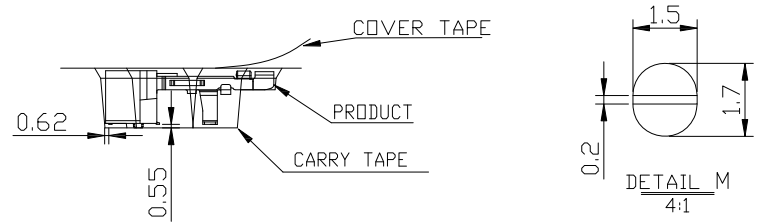
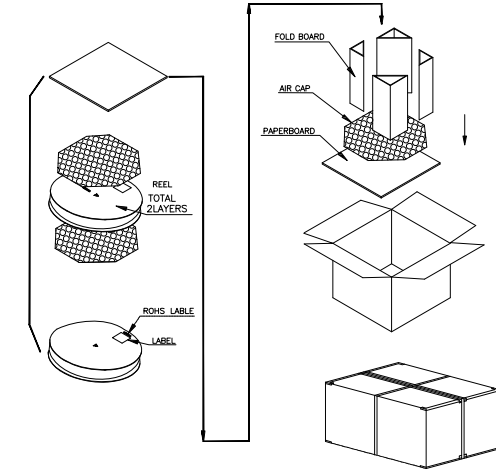
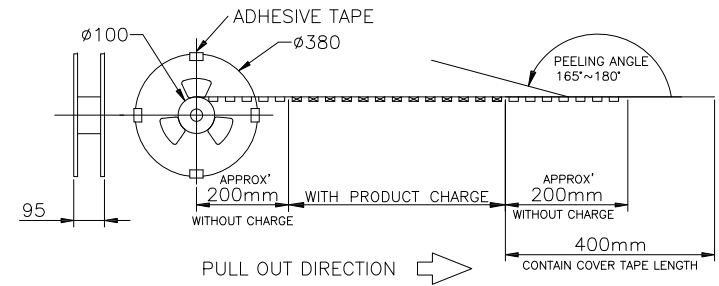
1 2 3 4 5 6 7 8 9 10

PROPRIETARY NOTE: This document contains confidential information and proprietary to Rego Electronics and shall not be reproduced or disclosed to other documents or used for any purpose other than that for which was obtained without the expressed written consent of Rego Electronics.		
.X ± 0.30	APPROVED: Chris	 http://www.rego.com.tw
.XX ± 0.20	CHECKED: Andy	
.XXX ± 0.15	DRAWN: Vic	
X* ± 3'	UNITS: mm	SCALE: NONE
TITLE: SO DIMM DDR5 R/A 262 Pins Standard Type H:8.0mm PART NO: 906DDR5-01A800 SHEET: 2 OF 3		




NOTES:

1. PACKING STYLE: 250 PCS/REEL
500 PCS/OUTER CARTON
2. MATERIAL: CARRIER TAPE: PS BLACK
COVER TAPE: PET FILM
REEL: PLASTIC
3. PEEL STRENGTH OF COVER TAPE: 20~80g (PEEL SPEED 300mm/MINUTE)



A0	05.1.2022
REV	DATE

<p>PROPRIETARY NOTE: This document contains confidential information and proprietary to Rego Electronics and shall not be reproduced or disclosed to other documents or used for any purpose other than that for which was obtained without the expressed written consent of Rego Electronics.</p>		
.X ± 0.30	APPROVED: Chris	 http://www.rego.com.tw
.XX ± 0.20	CHECKED: Andy	
.XXX ± 0.15	DRAWN: Vic	TITLE: SO DIMM DDR5 R/A 262 Pins Standard Type H:8.0mm
X* ± 3*	UNITS: mm	PART NO: 906DDR5-01A800
SCALE: NONE		SHEET: 3 OF 3