

1 2 3 4 5 6 7 8 9 10

A

B

C

D

E

F

NOTES:

1.MATERIAL:

HOUSING: LCP, UL94V-0, Black
 CONTACT: PHOSPHOR BRONZE
 LATCH: STAINLESS STEEL

2.FINISH:

CONTACT:

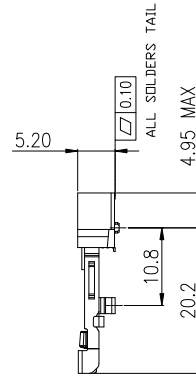
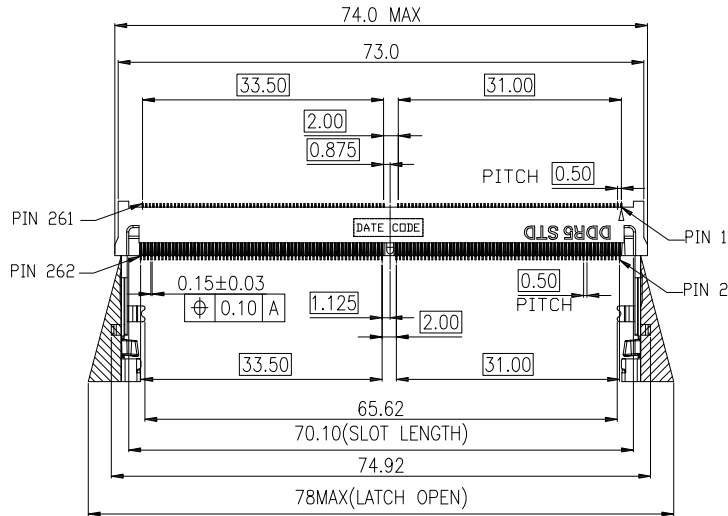
CONTACT AREA: G/F GOLD PLATED
 SOLDER AREA: G/F GOLD PLATED
 UNDER PLATING: NICKEL PLATED.

LATCH:

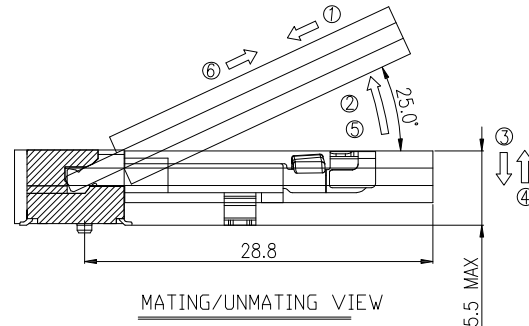
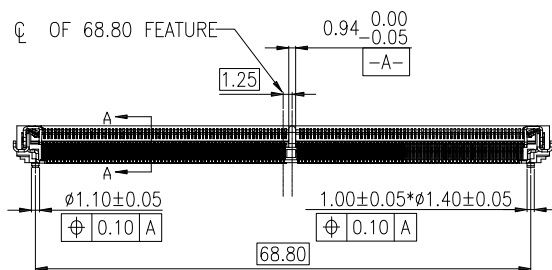
SOLDER AREA: MATTE TIN PLATED
 UNDER PLATING: NICKEL PLATED.

3.SPECIFICATION:

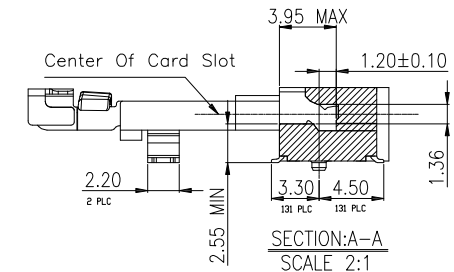
CURRENT RATING: 0.5A / (1PIN)
 VOLTAGE RATING: 25V AC
 DIELECTRIC WITHSTANDING: 250V AC FOR 1 MINUTE
 CONTACT RESISTANCE: 60mΩ Max.
 INSULATION RESISTANCE: 1MΩ Min
 OPERATING TEMPERATURE: -55°C to +85°C
 DURABILITY: 25 CYCLES MIN.





DATE CODE : YYWDLX
 YY: YEAR (09: 2009)
 WW: WEEK (25: THE 25TH WEEK)
 D: DAY (1~7: SUNDAY~SATURDAY)
 L: LINE NUMBER OF ASSEMBLY (A: LINE A)
 X: MANUFACTURE CODE



MATING: ①INSERTING(25°) → ②ROTATING → ③FIXED
 UNMATING: ④UNFIXED → ⑤ROTATING → ⑥WITHDRAWING



SECTION:A-A
 SCALE 2:1

PROPRIETARY NOTE: This document contains confidential information and proprietary to Rego Electronics and shall not be reproduced or disclosed to other documents or used for any purpose other than that for which was obtained without the expressed written consent of Rego Electronics.		
.X ± 0.30	APPROVED: Chris	 http://www.rego.com.tw
.XX ± 0.20	CHECKED: Andy	
.XXX ± 0.15	DRAWN: Vic	
X* ± 3°		
	UNITS: mm	SCALE: NONE
		PART NO: 906DDR5-01A520
		SHEET: 1 OF 3

A0	05.1.2022
REV	DATE

1 2 3 4 5 6 7 8 9 10

1 2 3 4 5 6 7 8 9 10

A

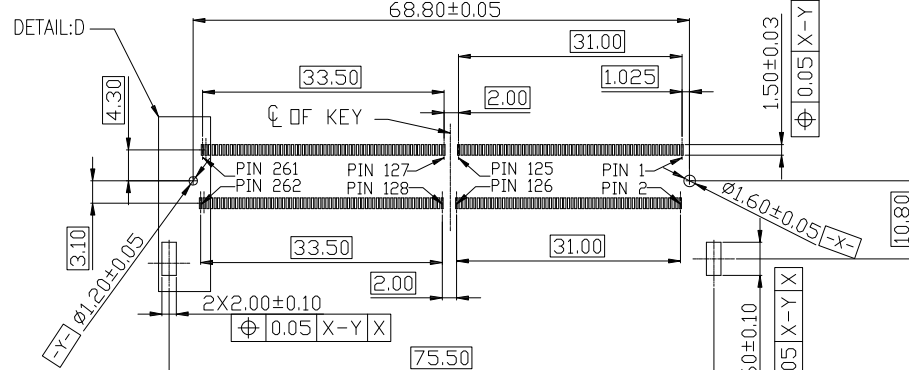
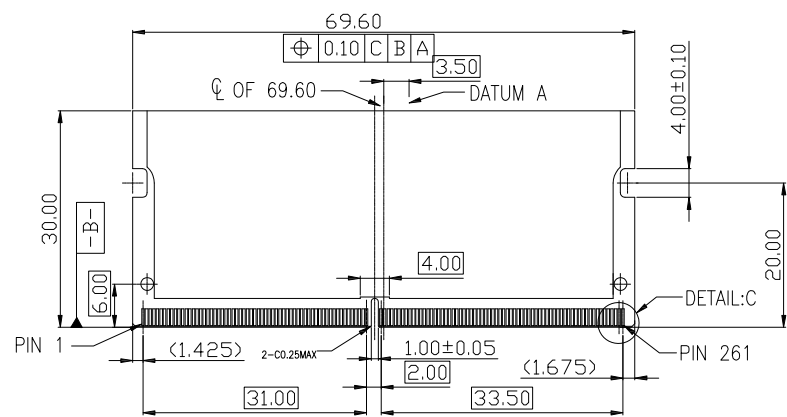
B

C

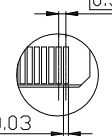
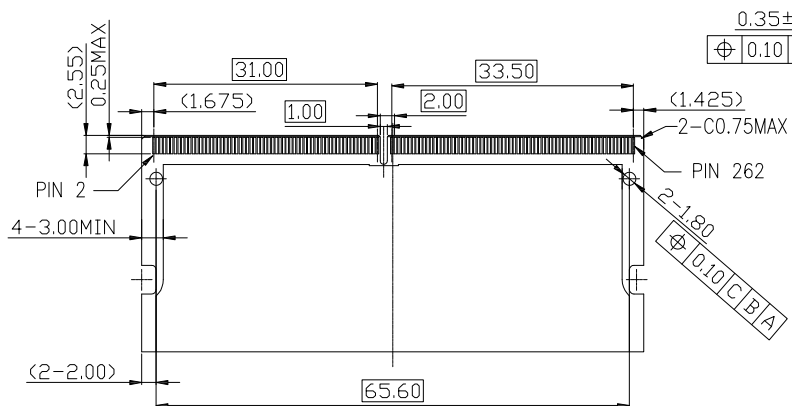
D

E

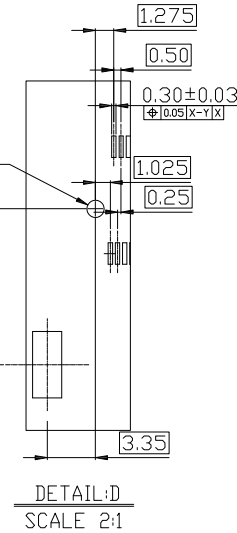
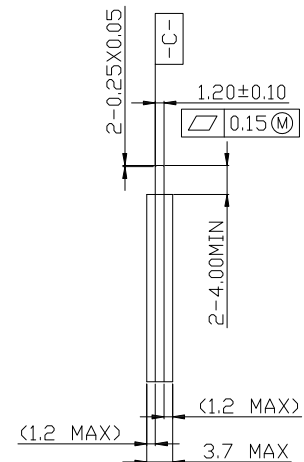
F



RECOMMEND PCB LAYOUT
THE TOLERANCE UNLESS SPECIFIED IS ±0.05MM




DETAIL:C
SCALE 2:1



DETAIL:D
SCALE 2:1

A0	05.1.2022
REV	DATE

1 2 3 4 5 6 7 8 9 10

PROPRIETARY NOTE: This document contains confidential information and proprietary to Rego Electronics and shall not be reproduced or disclosed to other documents or used for any purpose other than that for which was obtained without the expressed written consent of Rego Electronics.		
.X ± 0.30	APPROVED: Chris	 http://www.rego.com.tw
.XX ± 0.20	CHECKED: Andy	
.XXX ± 0.15	DRAWN: Vic	
X* ± 3°		
UNITS: mm	SCALE: NONE	TITLE: SO DIMM DDR5 R/A 262 Pins Standard Type H:5.2mm PART NO: 906DDR5-01A520 SHEET: 2 OF 3

1 2 3 4 5 6 7 8 9 10

A

B

C

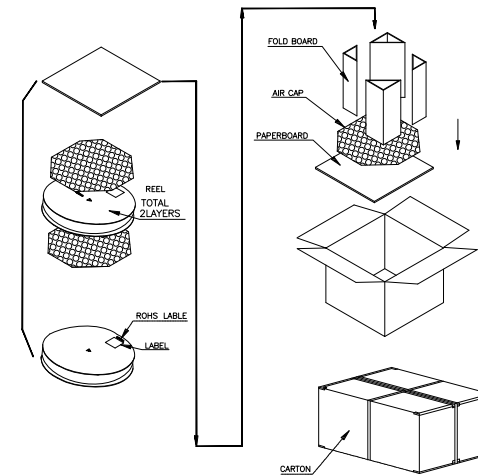
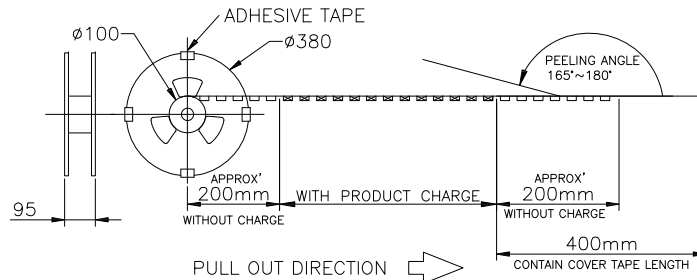
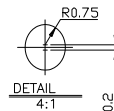
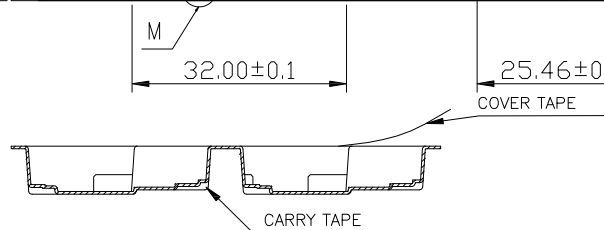
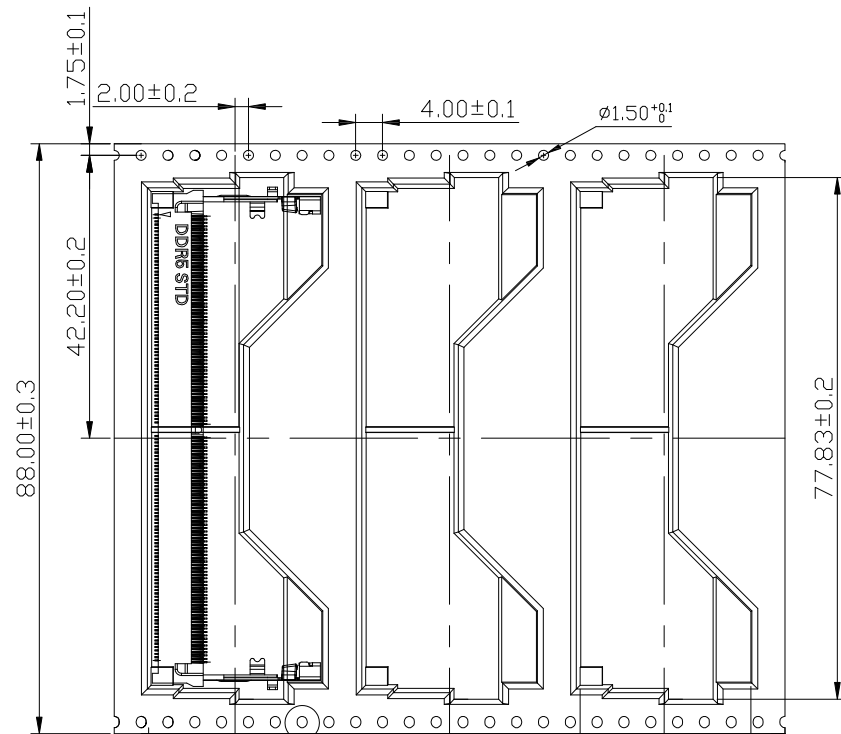
D

E

F


NOTES:

- PACKING STYLE: 400 PCS/REEL
800 PCS/OUTER CARTON
- MATERIAL: CARRIER TAPE: PS BLACK
COVER TAPE: PET FILM
REEL: PLASTIC
- PEEL STRENGTH OF COVER TAPE: 20~80g (PEEL SPEED 300mm/MINUTE)



PROPRIETARY NOTE:

This document contains confidential information and proprietary to Rego Electronics and shall not be reproduced or disclosed to other documents or used for any purpose other than that for which was obtained without the expressed written consent of Rego Electronics.

.X ± 0.30	APPROVED: Chris	 http://www.rego.com.tw	
.XX ± 0.20	CHECKED: Andy		
.XXX ± 0.15	DRAWN: Vic		
X* ± 3*	UNITS: mm	SCALE: NONE	TITLE: SO DIMM DDR5 R/A 262 Pins Standard Type H:5.2mm
PART NO: 906DDR5-01A520		SHEET: 3 OF 3	

A0	05.1.2022
REV	DATE

1 2 3 4 5 6 7 8 9 10