

1 2 3 4 5 6 7 8 9 10

A

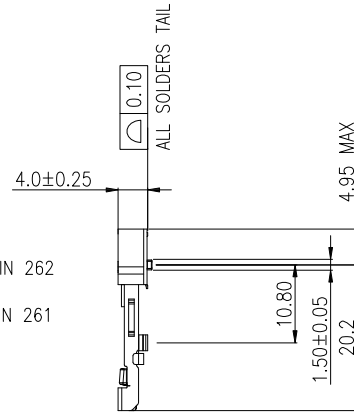
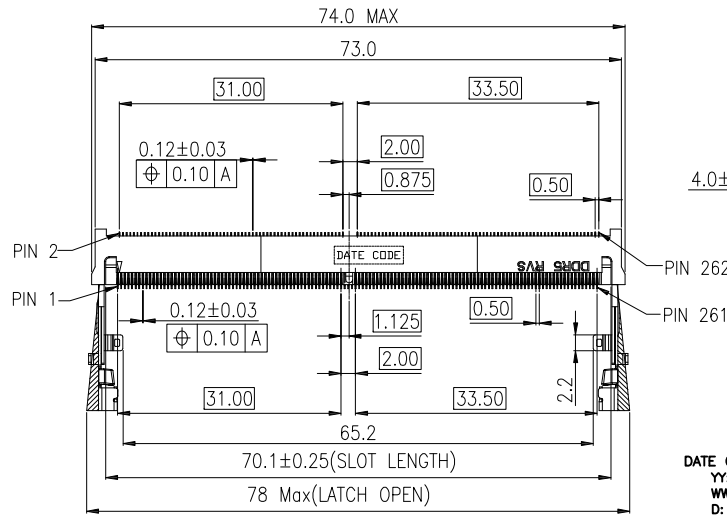
B

C

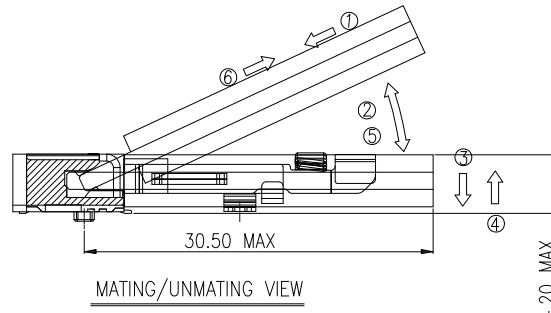
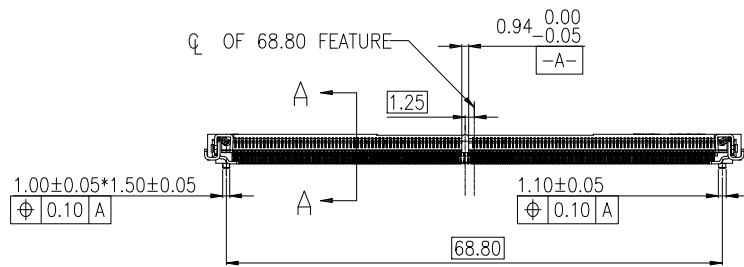
D

E

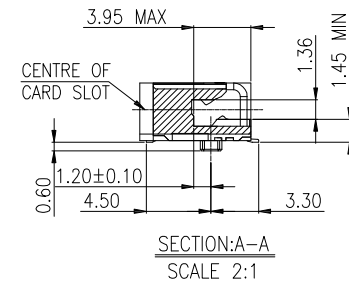
F



DATE CODE : YYWDLX  
 YY: YEAR (09: 2009)  
 WW: WEEK (25: THE 25TH WEEK)  
 D: DAY (1~7: SUNDAY~SATURDAY)  
 L: LINE NUMBER OF ASSEMBLY (A: LINE A)  
 X: MANUFACTURE CODE



MATING: ① INSERTING(25°) → ② ROTATING → ③ FIXED  
 UNMATING: ④ UNFIXED → ⑤ ROTATING → ⑥ WITHDRAWING



NOTES:

1.MATERIAL:

HOUSING: LCP, UL94V-0, Black  
 CONTACT: PHOSPHOR BRONZE  
 LATCH: STAINLESS STEEL

2.FINISH:

CONTACT:


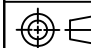
CONTACT AREA: G/F GOLD PLATED  
 SOLDER AREA: G/F GOLD PLATED  
 UNDER PLATING: NICKEL PLATED.  
 LATCH:  
 SOLDER AREA: MATTE TIN PLATED  
 UNDER PLATING: NICKEL PLATED.

3.SPECIFICATION:

CURRENT RATING: 0.5A / (1PIN)  
 VOLTAGE RATING: 25V AC  
 DIELECTRIC WITHSTANDING: 250V AC FOR 1 MINUTE  
 CONTACT RESISTANCE: 60mΩ Max.  
 INSULATION RESISTANCE: 1MΩ Min  
 OPERATING TEMPERATURE: -55°C to +85°C  
 DURABILITY: 25 CYCLES MIN.

PROPRIETARY NOTE:

This document contains confidential information and proprietary to Rego Electronics and shall not be reproduced or disclosed to other documents or used for any purpose other than that for which was obtained without the expressed written consent of Rego Electronics.

.X ± 0.30	APPROVED:	 <a href="http://www.rego.com.tw">http://www.rego.com.tw</a>
.XX ± 0.20	Chris	
.XXX ± 0.15	CHECKED: Andy	
X* ± 3'	DRAWN: Vic	TITLE: SO DIMM DDR5 R/A 262 Pins Reverse Type H:4.0mm
	UNITS: mm	PART NO: 906DDR5-01B400
	SCALE: NONE	SHEET: 1 OF 3

A0	05.1.2022
REV	DATE

1 2 3 4 5 6 7 8 9 10

1 2 3 4 5 6 7 8 9 10

A

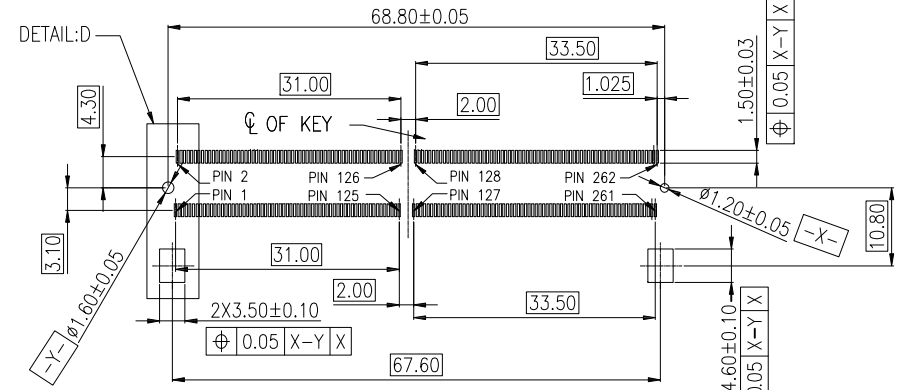
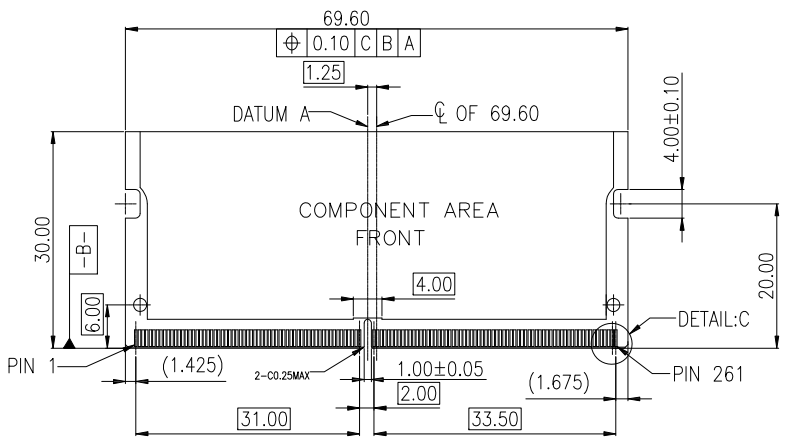
B

C

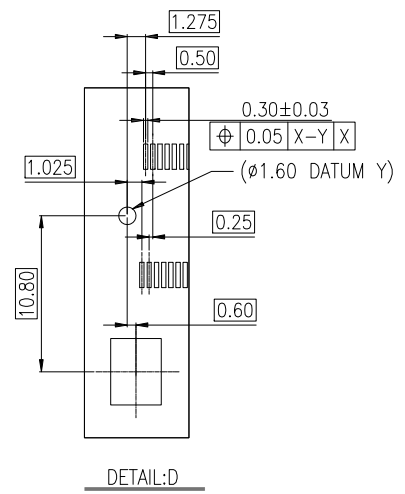
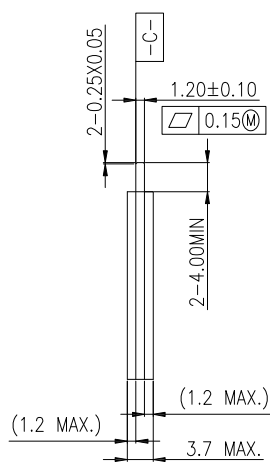
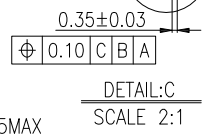
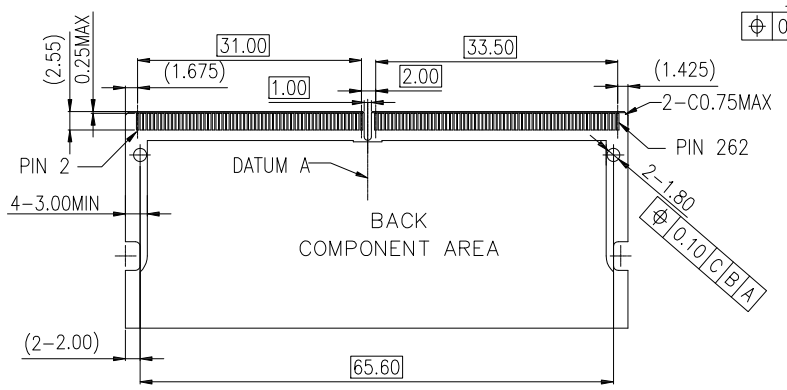
D

E

F




RECOMMEND PCB LAYOUT  
 THE TOLERANCE UNLESS SPECIFIED IS ±0.05MM



A0	05.1.2022
REV	DATE

1 2 3 4 5 6 7 8 9 10

<b>PROPRIETARY NOTE:</b> This document contains confidential information and proprietary to Rego Electronics and shall not be reproduced or disclosed to other documents or used for any purpose other than that for which was obtained without the expressed written consent of Rego Electronics.		
.X ± 0.30	APPROVED: Chris	 <a href="http://www.rego.com.tw">http://www.rego.com.tw</a> TITLE: SO DIMM DDR5 R/A 262 Pins Reverse Type H:4.0mm
.XX ± 0.20	CHECKED: Andy	
.XXX ± 0.15	DRAWN: Vic	
X* ± 3*		
UNITS: mm	SCALE: NONE	PART NO: 906DDR5-01B400
		SHEET: 2 OF 3

A

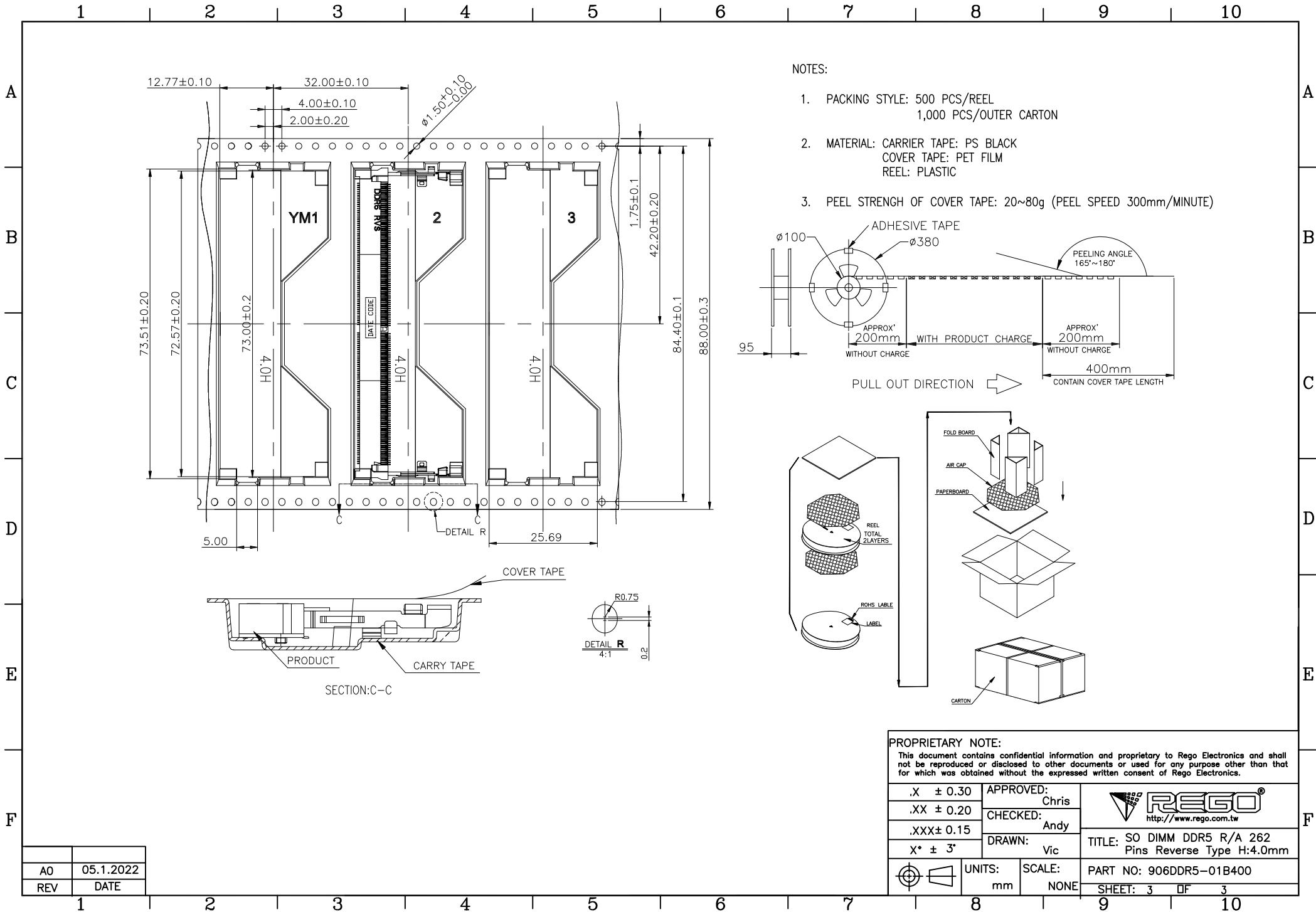
B

C

D

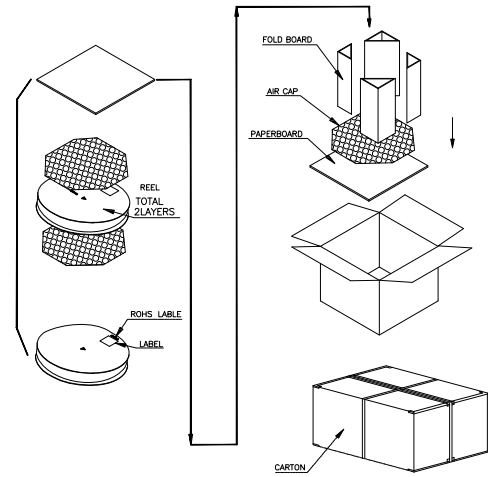
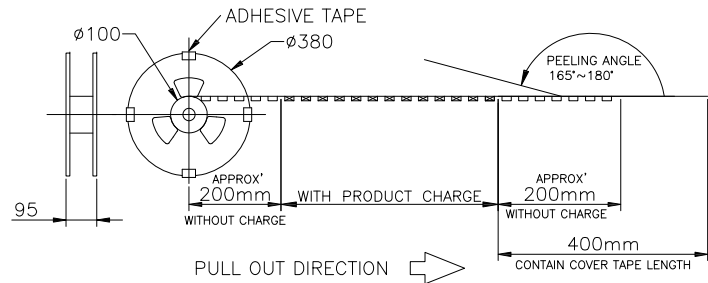
E


F



NOTES:

1. PACKING STYLE: 500 PCS/REEL  
1,000 PCS/OUTER CARTON
2. MATERIAL: CARRIER TAPE: PS BLACK  
COVER TAPE: PET FILM  
REEL: PLASTIC
3. PEEL STRENGTH OF COVER TAPE: 20~80g (PEEL SPEED 300mm/MINUTE)



<b>PROPRIETARY NOTE:</b> This document contains confidential information and proprietary to Rego Electronics and shall not be reproduced or disclosed to other documents or used for any purpose other than that for which was obtained without the expressed written consent of Rego Electronics.		
.X ± 0.30	APPROVED: Chris	 <a href="http://www.rego.com.tw">http://www.rego.com.tw</a>
.XX ± 0.20	CHECKED: Andy	
.XXX ± 0.15	DRAWN: Vic	
X* ± 3*	UNITS: mm	SCALE: NONE
TITLE: SO DIMM DDR5 R/A 262 Pins Reverse Type H:4.0mm		PART NO: 906DDR5-01B400
SHEET: 3		OF 3

A0	05.1.2022
REV	DATE