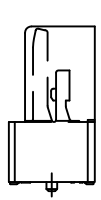
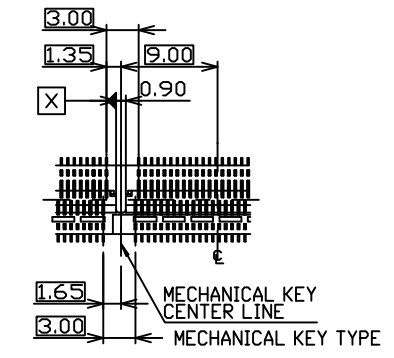
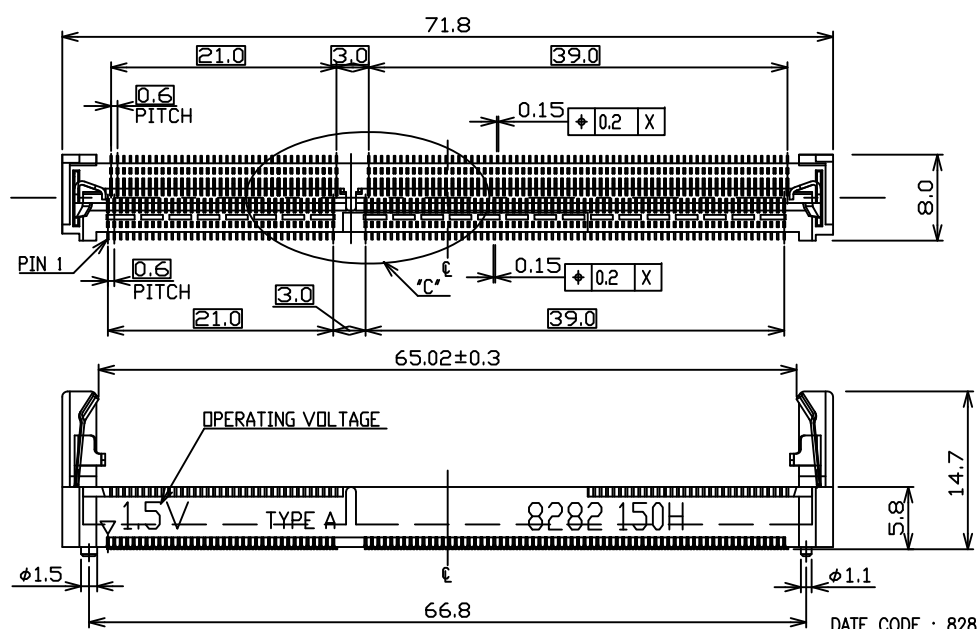


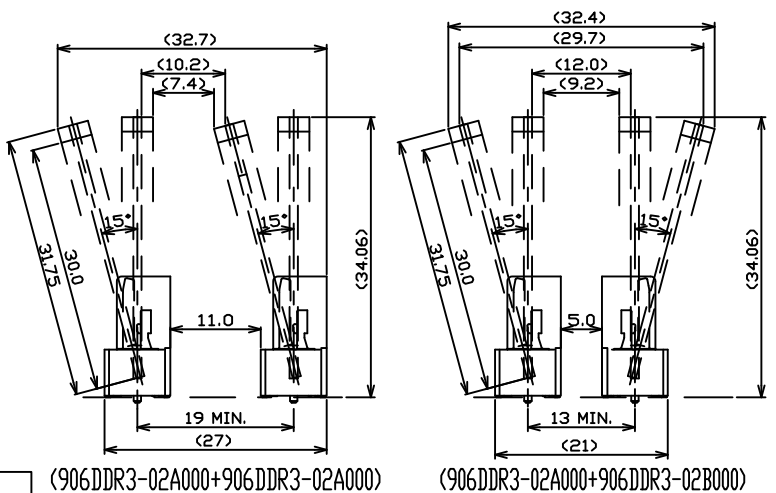
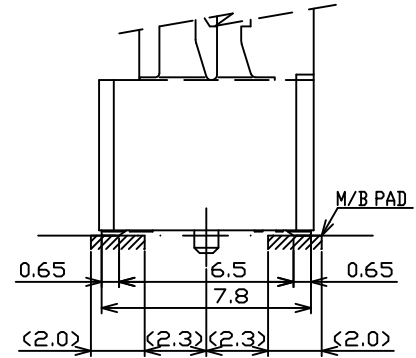
A
B
C
D
E
F



DETAIL C


DATE CODE : 8282 (YWWDD)
 YY: YEAR (8: 2018)
 WW: WEEK (28: THE 28TH WEEK)
 D: DAY (1~7: SUNDAY~SATURDAY)

- NOTES:
- MATERIAL:
 HOUSING: LCP, UL94V-0, WHITE
 CONTACT: PHOSPHOR BRONZE (C5210)
 LATCH: STAINLESS (SUS301)
 - FINISH:
 CONTACT:
 CONTACT AREA: G/F GOLD PLATED
 SOLDER AREA: G/F GOLD PLATED
 UNDER PLATING: NICKEL PLATED.
 LATCH:
 SOLDER AREA: G/F GOLD PLATED
 UNDER PLATING: NICKEL PLATED.
 - SPECIFICATION:
 CURRENT RATING: 0.5A / (1PIN)
 VOLTAGE RATING: 25V AC
 DIELECTRIC WITHSTANDING: 125V AC FOR 1 MINUTE
 CONTACT RESISTANCE: 60mΩ Max.
 INSULATION RESISTANCE: 500MΩ Min
 OPERATING TEMPERATURE: -40°C to +85°C
 DURABILITY: 25 CYCLES MIN.



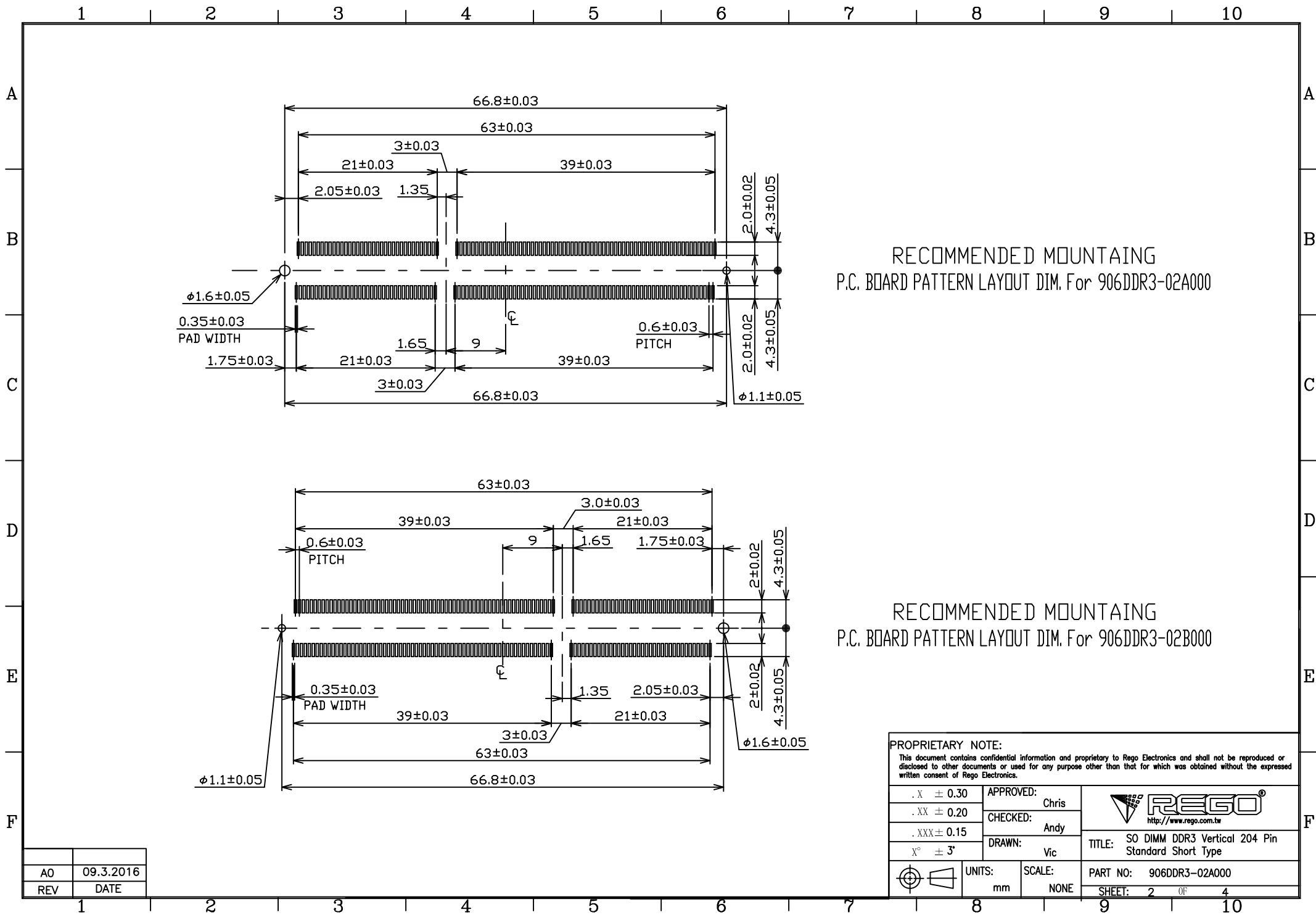
MUST BE MEASURED FLOATING AMOUNT OF CONTACT TAILS FROM DATUM SURFACE IS 0.1mm MAX.




PROPRIETARY NOTE: This document contains confidential information and proprietary to Rego Electronics and shall not be reproduced or disclosed to other documents or used for any purpose other than that for which was obtained without the expressed written consent of Rego Electronics.			
. X ± 0.30	APPROVED:	Chris	 http://www.rego.com.tw
. XX ± 0.20	CHECKED:	Andy	
. XXX ± 0.15	DRAWN:	Vic	
X° ± 3'			TITLE: SO DIMM DDR3 Vertical 204 Pin Standard Short Type PART NO: 906DDR3-02A000 SHEET: 1 OF 4
UNITS: mm SCALE: NONE			

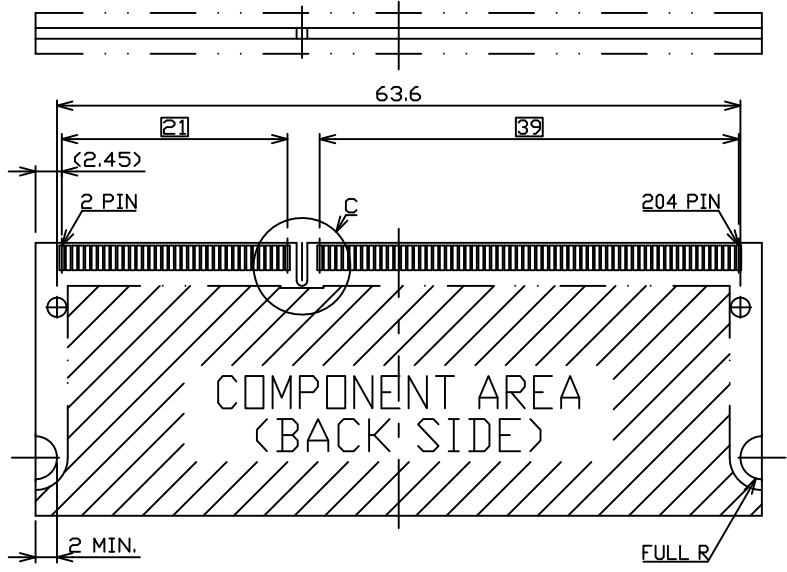
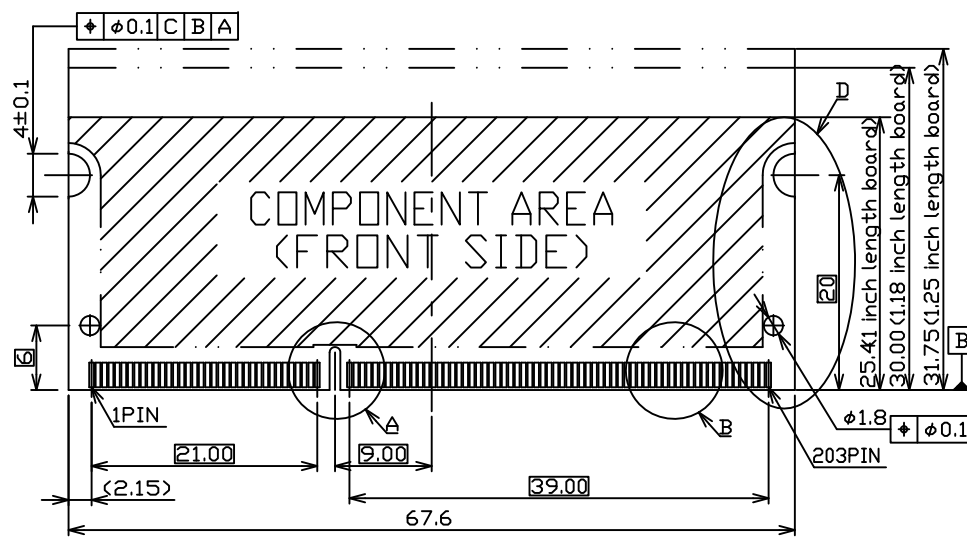
A0	09.3.2016
REV	DATE

RECOMMENDED SOCKET LAYOUT

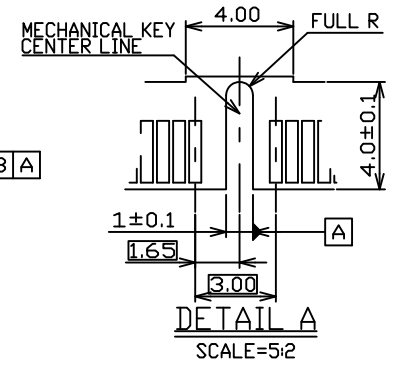
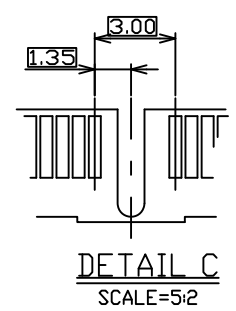
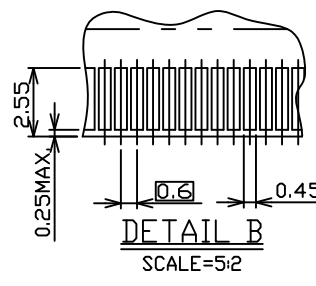
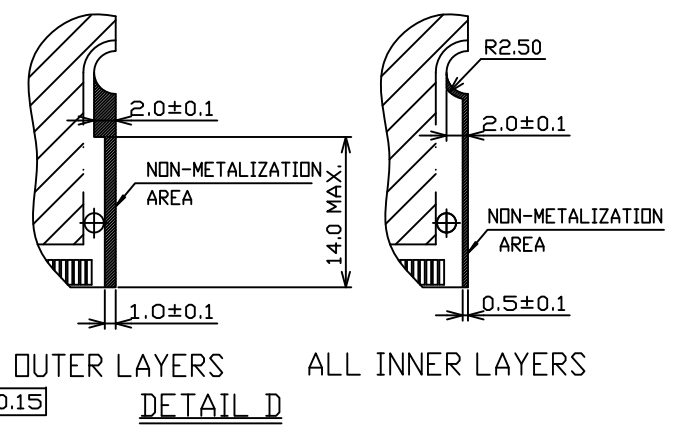
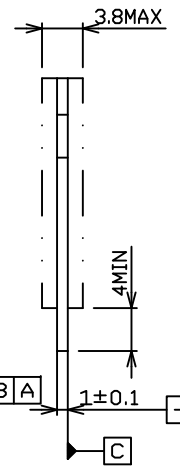


AO	09.3.2016
REV	DATE


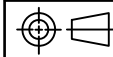
PROPRIETARY NOTE: This document contains confidential information and proprietary to Rego Electronics and shall not be reproduced or disclosed to other documents or used for any purpose other than that for which was obtained without the expressed written consent of Rego Electronics.			
. X ± 0.30	APPROVED:	Chris	 http://www.rego.com.tw
. XX ± 0.20	CHECKED:	Andy	
. XXX ± 0.15	DRAWN:	Vic	
X° ± 3'	UNITS:		SCALE:
		mm	NONE
		PART NO: 906DDR3-02A000	
		SHEET: 2 OF 4	



RECOMMENDED MATING
P.C. BOARD DIM.



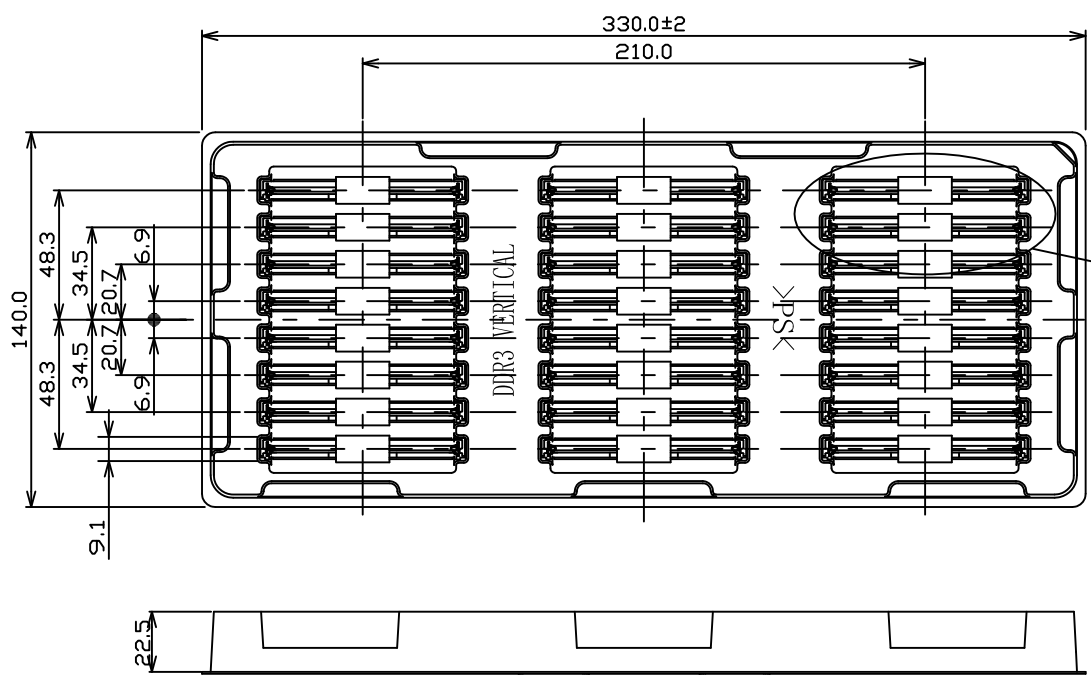
PROPRIETARY NOTE:
This document contains confidential information and proprietary to Rego Electronics and shall not be reproduced or disclosed to other documents or used for any purpose other than that for which was obtained without the expressed written consent of Rego Electronics.

.X ± 0.30	APPROVED: Chris	 http://www.rego.com.tw	
.XX ± 0.20	CHECKED: Andy		
.XXX ± 0.15	DRAWN: Vic		
X° ± 3'		TITLE: SO DIMM DDR3 Vertical 204 Pin Standard Short Type	
	UNITS: mm	SCALE: NONE	PART NO: 906DDR3-02A000
			SHEET: 3 OF 4

A0	09.3.2016
REV	DATE

1 2 3 4 5 6 7 8 9 10

A
B
C
D
E
F

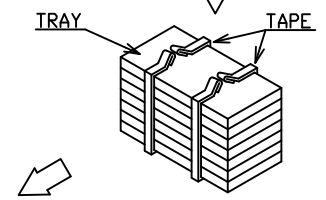
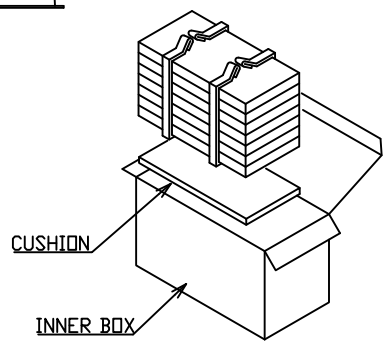
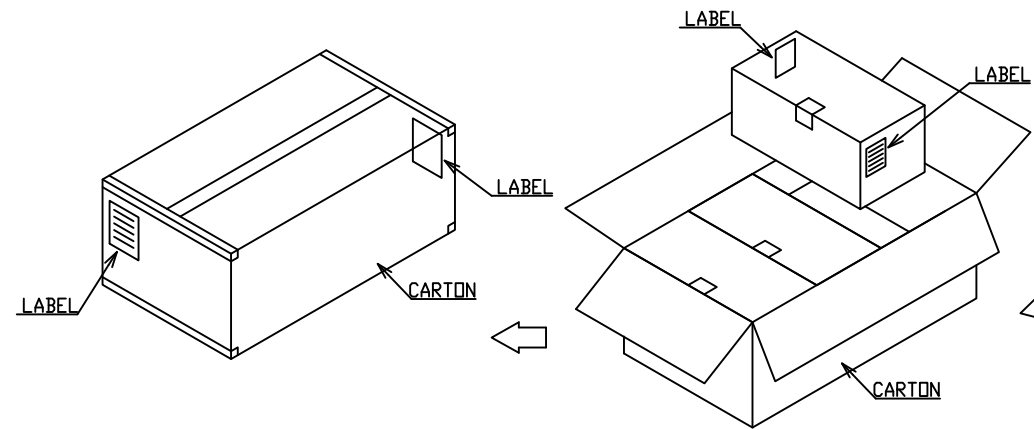
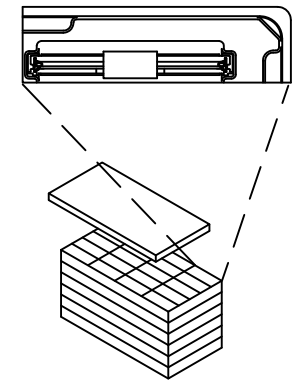


NOTES:

1. PACKING STYLE: 24 PCS/Tray
144 PCS/INNER CARTON
432 PCS/OUTER CARTON
2. MATERIAL: Tray: PET
3. G/W: 4.1 Kg , N/W: 2.1 Kg






SUCTION TAPE
SIZE:10x20mm



PROPRIETARY NOTE:

This document contains confidential information and proprietary to Rego Electronics and shall not be reproduced or disclosed to other documents or used for any purpose other than that for which was obtained without the expressed written consent of Rego Electronics.

. X ± 0.30	APPROVED: Chris	 http://www.rego.com.tw
. XX ± 0.20	CHECKED: Andy	
. XXX ± 0.15	DRAWN: Vic	
X° ± 3'		TITLE: SO DIMM DDR3 Vertical 204 Pin Standard Short Type
 	UNITS: mm	SCALE: NONE
		PART NO: 906DDR3-02A000
		SHEET: 4 OF 4

AO	09.3.2016
REV	DATE

1 2 3 4 5 6 7 8 9 10