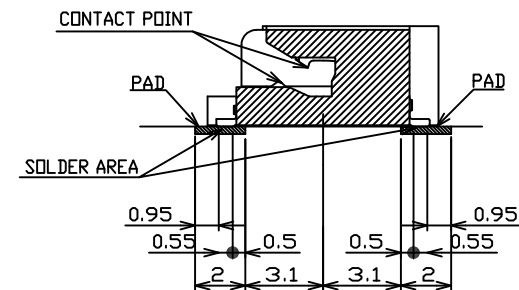
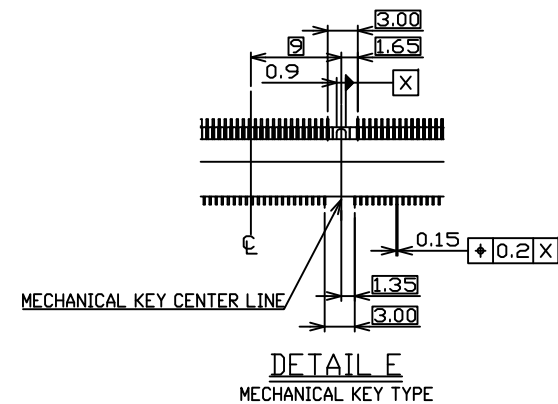
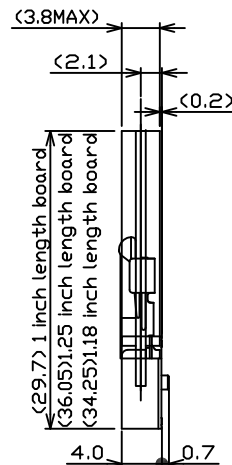



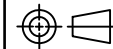
NOTES.

1. MATERIAL; HOUSING: LCP, UL94V-0, COLOR: BLACK
CONTACT: COPPER ALLOY
METAL LATCH: SUS
2. PLATING; CONTACT (CONTACT POINT, SOLDER AREA):
Au PLATE 0.0075μm MIN, Ni UNDER PLATE 1.5μm MIN.
3. MUST BE MEASURED FLOATING AMOUNT OF CONTACT TAILS
FROM DATUM SURFACE IS 0.1mm MAX.

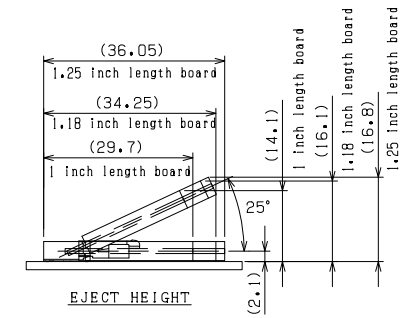
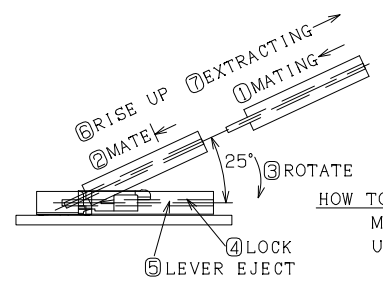
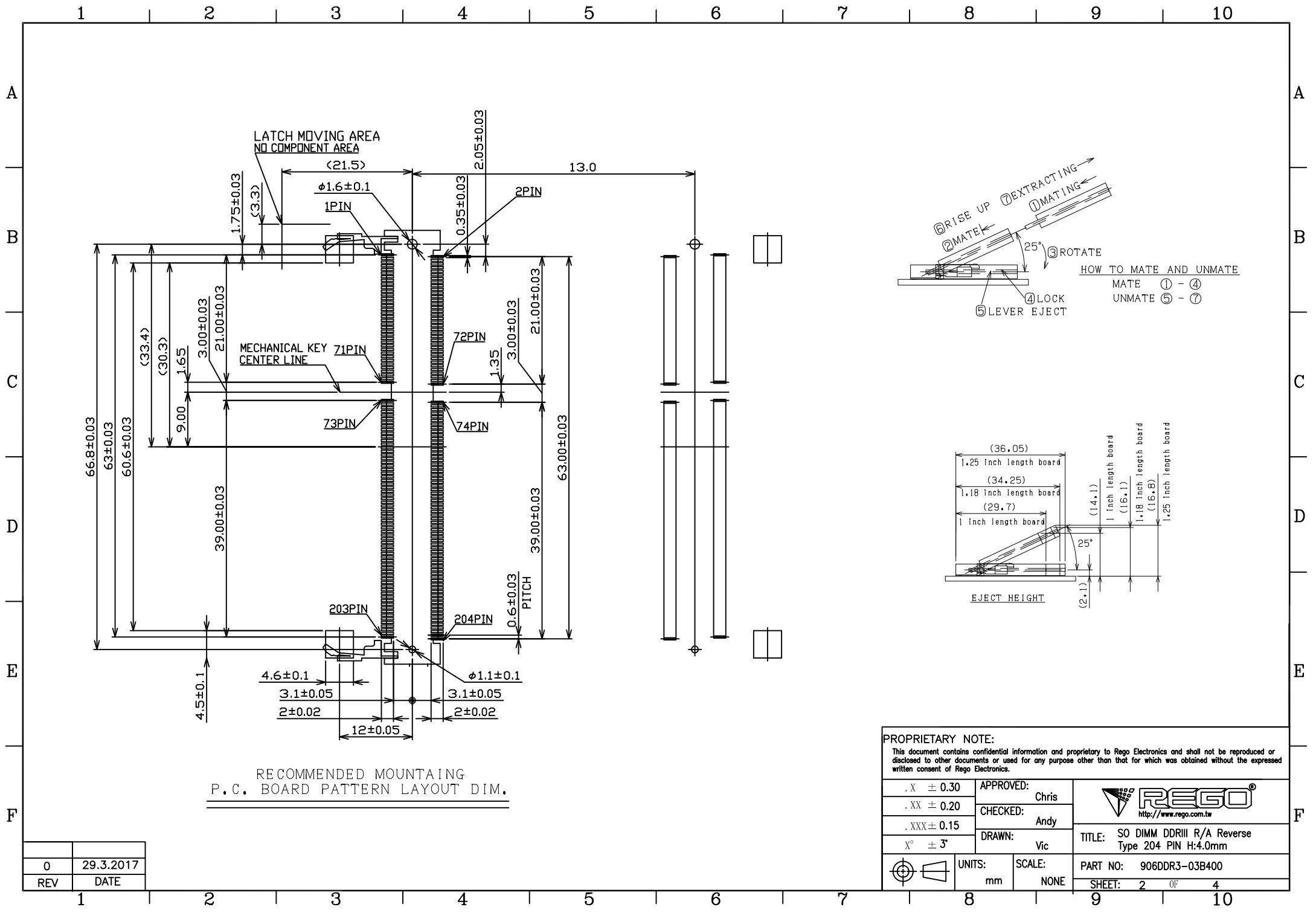


PROPRIETARY NOTE:

This document contains confidential information and proprietary to Rego Electronics and shall not be reproduced or disclosed to other documents or used for any purpose other than that for which was obtained without the expressed written consent of Rego Electronics.


| | | | |
|---|-----------------|--|--|
| .X ± 0.30 | APPROVED: Chris |  http://www.rego.com.tw | |
| .XX ± 0.20 | CHECKED: Andy | | |
| .XXX ± 0.15 | DRAWN: Vic | | |
| X° ± 3' | UNITS: mm | SCALE: NONE | TITLE: SO DIMM DDR III R/A Reverse Type 204 PIN H:4.0mm |
|  | | | PART NO: 906DDR3-03B400 |
| | | | SHEET: 1 OF 4 |

| | |
|-----|-----------|
| 0 | 29.3.2017 |
| REV | DATE |



RECOMMENDED MOUNTING
P.C. BOARD PATTERN LAYOUT DIM.

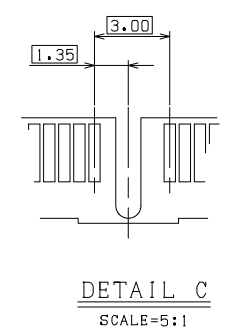
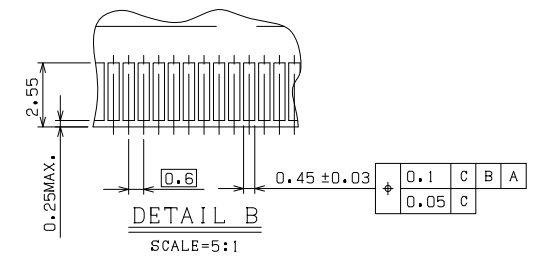
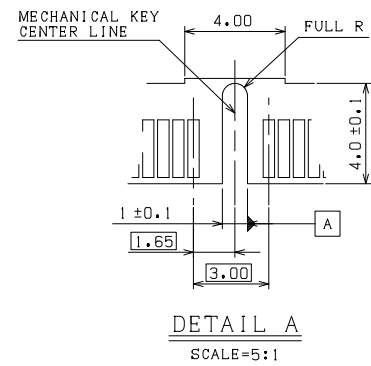
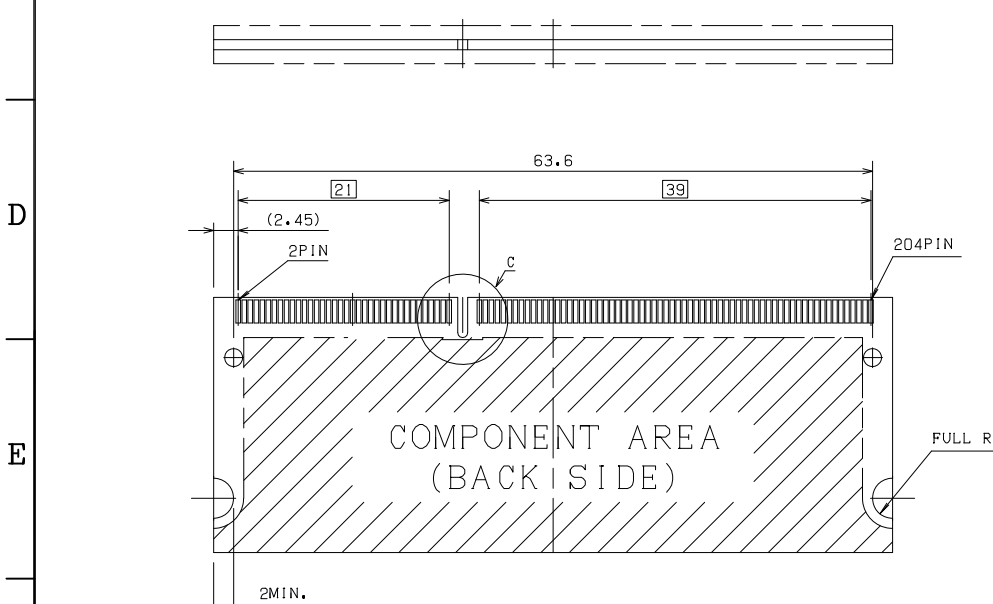
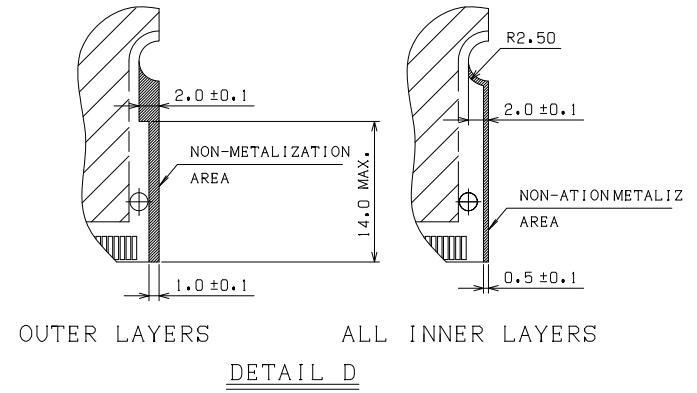
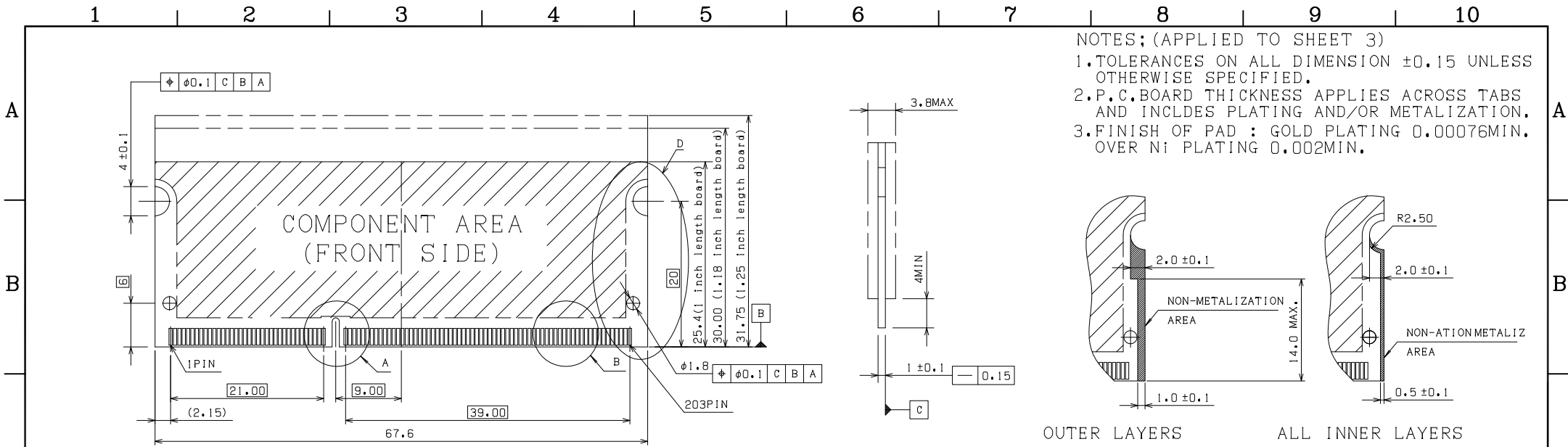
PROPRIETARY NOTE:
This document contains confidential information and proprietary to Rego Electronics and shall not be reproduced or disclosed to other documents or used for any purpose other than that for which was obtained without the expressed written consent of Rego Electronics.

| | | |
|--|-----------------|--|
| . X ± 0.30 | APPROVED: Chris |  http://www.rego.com.tw |
| . XX ± 0.20 | CHECKED: Andy | |
| . XXX ± 0.15 | DRAWN: Vic | |
| X° $\pm 3'$ | UNITS: mm | SCALE: NONE |
| TITLE: SO DIMM DDRIII R/A Reverse Type 204 PIN H:4.0mm | | PART NO: 906DDR3-03B400 |
| SHEET: 2 OF 4 | | |

| | |
|-----|-----------|
| 0 | 29.3.2017 |
| REV | DATE |



NOTES; (APPLIED TO SHEET 3)

1. TOLERANCES ON ALL DIMENSION ± 0.15 UNLESS OTHERWISE SPECIFIED.
2. P.C. BOARD THICKNESS APPLIES ACROSS TABS AND INCLUDES PLATING AND/OR METALIZATION.
3. FINISH OF PAD : GOLD PLATING 0.00076MIN. OVER Ni PLATING 0.002MIN.

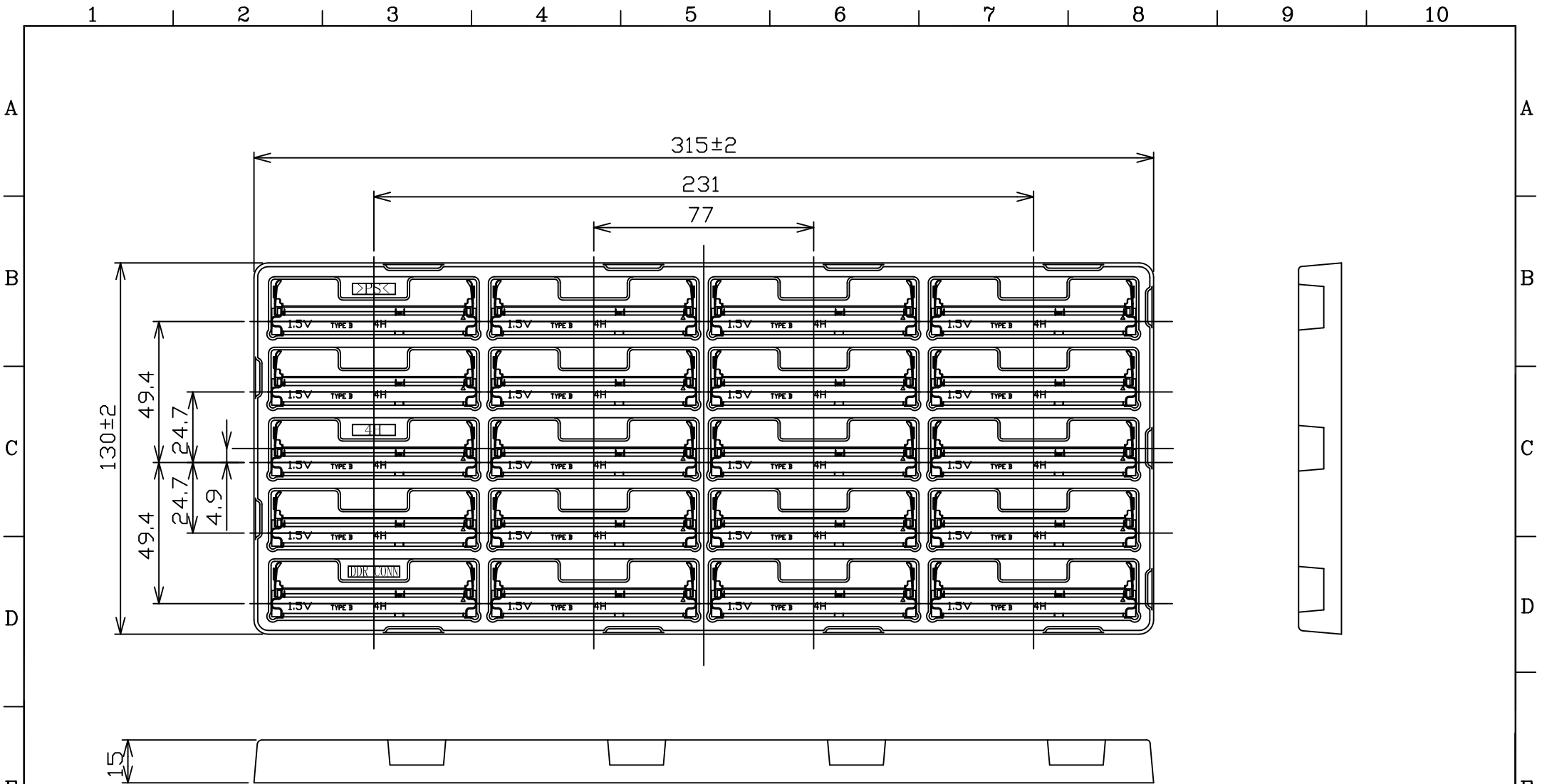


RECOMMENDED MATING P.C. BOARD DIM.

PROPRIETARY NOTE:
This document contains confidential information and proprietary to Rego Electronics and shall not be reproduced or disclosed to other documents or used for any purpose other than that for which was obtained without the expressed written consent of Rego Electronics.

| | | | |
|---|-----------------|--|--|
| .X ± 0.30 | APPROVED: Chris |  http://www.rego.com.tw | |
| .XX ± 0.20 | CHECKED: Andy | | |
| .XXX ± 0.15 | DRAWN: Vic | | |
| X° ± 3' | UNITS: mm | SCALE: NONE | TITLE: SO DIMM DDRIII R/A Reverse Type 204 PIN H:4.0mm |
|  | | | PART NO: 906DDR3-03B400 |
| | | | SHEET: 3 OF 4 |

| | |
|-----|-----------|
| 0 | 29.3.2017 |
| REV | DATE |





SOFT TRAY PACKAGING

| | |
|-----|-----------|
| 0 | 29.3.2017 |
| REV | DATE |

PROPRIETARY NOTE:

This document contains confidential information and proprietary to Rego Electronics and shall not be reproduced or disclosed to other documents or used for any purpose other than that for which was obtained without the expressed written consent of Rego Electronics.

| | | |
|---|-----------|--|
| .X ± 0.30 | APPROVED: |  http://www.rego.com.tw |
| .XX ± 0.20 | CHECKED: | |
| .XXX ± 0.15 | DRAWN: | |
| X° ± 3' | | TITLE: SO DIMM DDR3 R/A Reverse Type 204 PIN H:4.0mm |
|  | UNITS: | SCALE: |
| | mm | NONE |
| | | PART NO: 906DDR3-03B400 |
| | | SHEET: 4 OF 4 |