

1 2 3 4 5 6 7 8 9 10

A

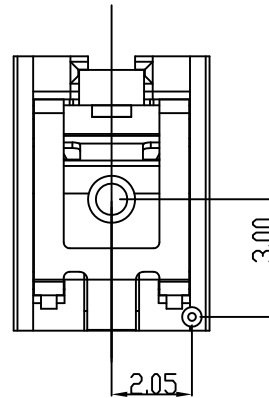
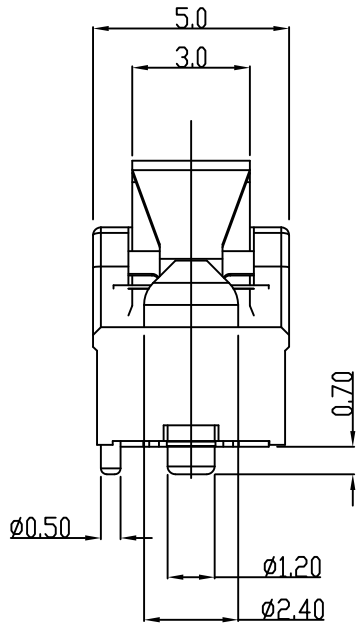
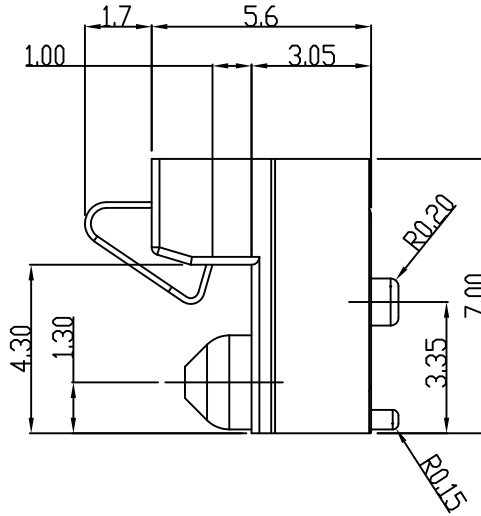
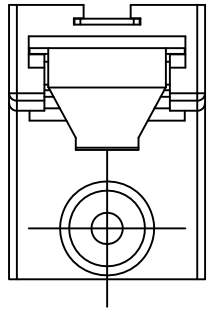
B

C

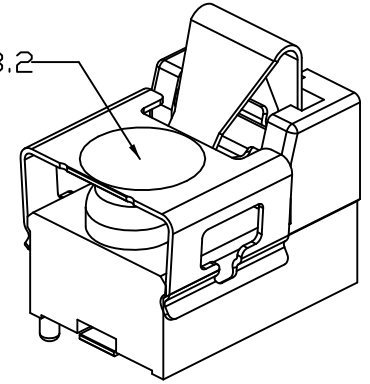
D

E

F



PACK & PLASE AREA  $\phi 3.2$



NOTES:

1.MATERIAL:

HOUSING: LCP, UL94V-0, Black

LATCH: PHOSPHOR BRONZE

COVER: SUS304

2.FINISH:

LATCH:

SOLDER AREA: 100u" TIN PLATED


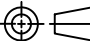
UNDER PLATING: 50u" NICKEL PLATED.

3.SPECIFICATION:

OPERATING TEMPERATURE:  $-40^{\circ}\text{C}$  to  $+90^{\circ}\text{C}$

PROPRIETARY NOTE:

This document contains confidential information and proprietary to Rego Electronics and shall not be reproduced or disclosed to other documents or used for any purpose other than that for which was obtained without the expressed written consent of Rego Electronics.

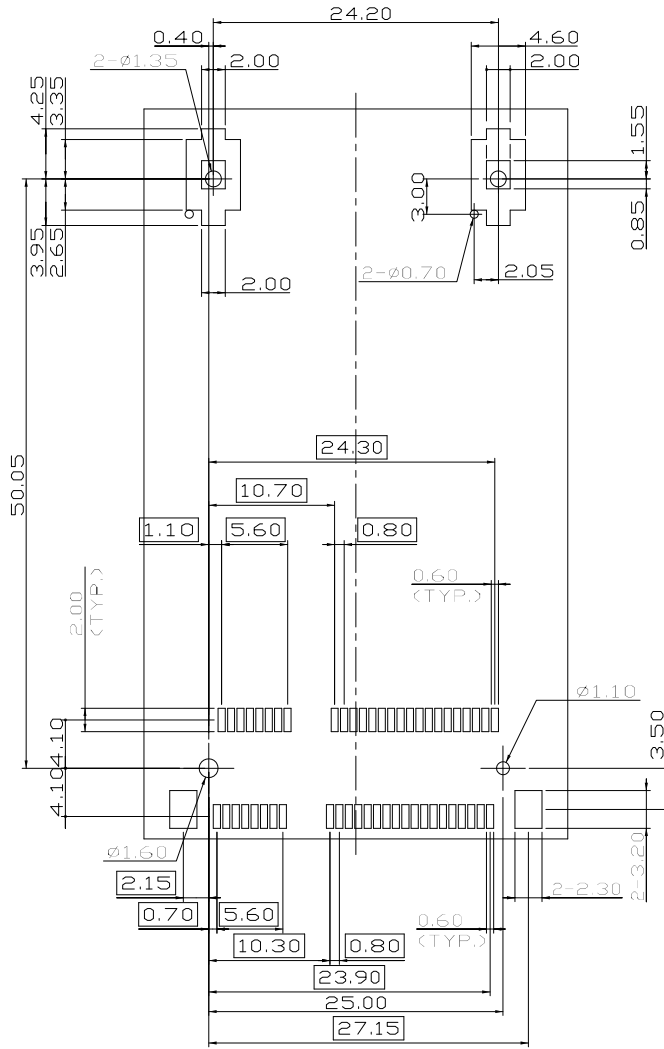
.X $\pm 0.30$	APPROVED: Chris	 <a href="http://www.rego.com.tw">http://www.rego.com.tw</a>
.XX $\pm 0.20$	CHECKED: Andy	
.XXX $\pm 0.15$	DRAWN: Vic	
X* $\pm 3^*$		
	UNITS: mm	SCALE: NONE
		TITLE: Mini PCI Express Latch H:5.6mm
		PART NO: 906MPE-Latch-03
		SHEET: 1 OF 3

AO	28.9.2018
REV	DATE

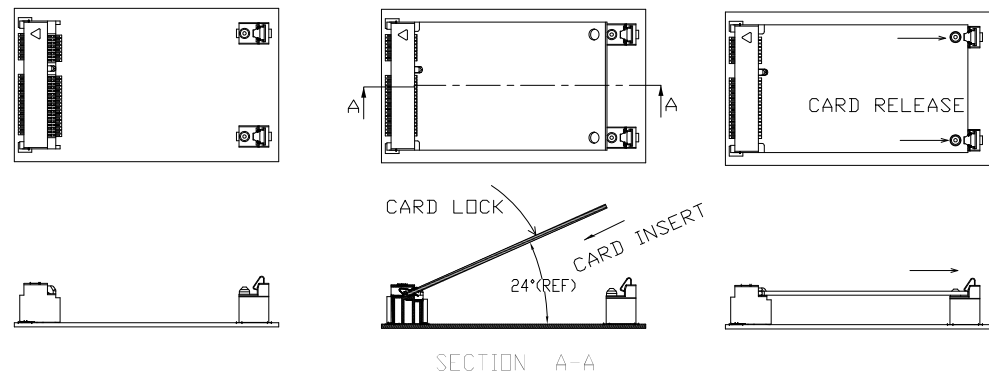
1 2 3 4 5 6 7 8 9 10


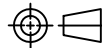
1 2 3 4 5 6 7 8 9 10

A  
B  
C  
D  
E  
F



RECOMMEND PC BOARD LAYOUT  
GENERAL TOLERANCE: ±0.05mm



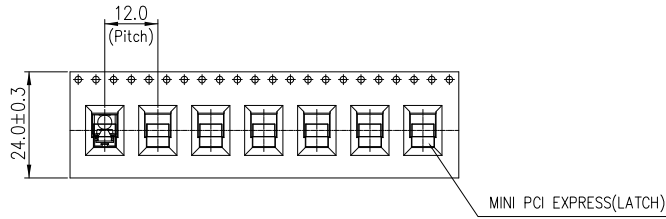
<b>PROPRIETARY NOTE:</b> This document contains confidential information and proprietary to Rego Electronics and shall not be reproduced or disclosed to other documents or used for any purpose other than that for which was obtained without the expressed written consent of Rego Electronics.			
.X ± 0.30	APPROVED:	Chris	 <a href="http://www.rego.com.tw">http://www.rego.com.tw</a>
.XX ± 0.20	CHECKED:	Andy	
.XXX ± 0.15	DRAWN:	Vic	
X* ± 3'	UNITS:	SCALE:	TITLE: Mini PCI Express Latch H:5.6mm PART NO: 906MPE-Latch-03 SHEET: 2 OF 3
		mm	NONE

AO	28.9.2018
REV	DATE

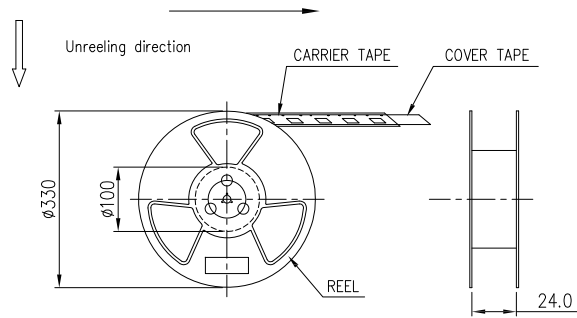
1 2 3 4 5 6 7 8 9 10

1 2 3 4 5 6 7 8 9 10

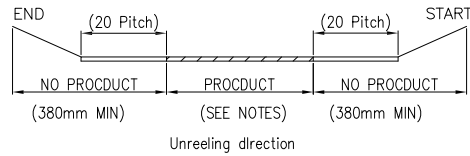
A



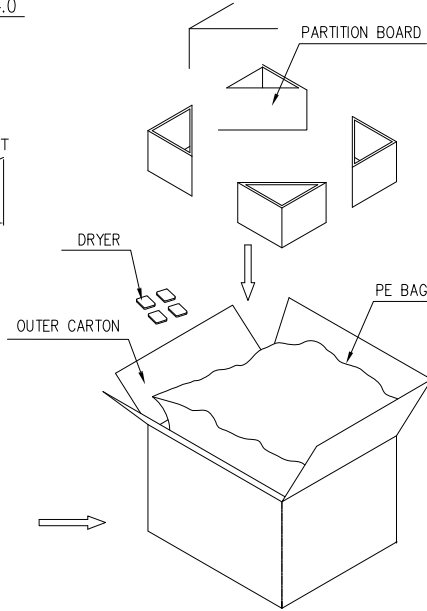
B



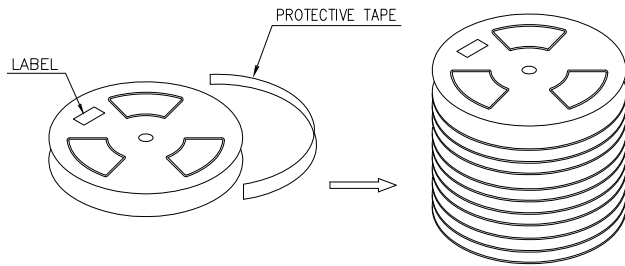
C



D



E



F

NOTES:

1. PACKING STYLE

906MPE-Latch-01	4.0H	700 PCS/REEL 7,000 PCS/OUTER CARTON
906MPE-Latch-02	5.2H	600 PCS/REEL 6,000 PCS/OUTER CARTON
906MPE-Latch-03	5.6H	550 PCS/REEL 5,500 PCS/OUTER CARTON
906MPE-Latch-04	8.0H	400 PCS/REEL 4,000 PCS/OUTER CARTON
906MPE-Latch-05	9.2H	300 PCS/REEL 3,000 PCS/OUTER CARTON

2. MATERIAL: CARRIER TAPE: PS BLACK

COVER TAPE: PET FILM

REEL: PLASTIC


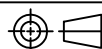
3. PEEL STRENGTH OF COVER TAPE: 20~80g(PEEL SPEED 300mm/MINUTE)

4. CARTON SIZE: 360x360x330mm

5. G/W: Kg, N/W: Kg

PROPRIETARY NOTE:

This document contains confidential information and proprietary to Rego Electronics and shall not be reproduced or disclosed to other documents or used for any purpose other than that for which was obtained without the expressed written consent of Rego Electronics.

.X ± 0.30	APPROVED: Chris	 <a href="http://www.rego.com.tw">http://www.rego.com.tw</a>
.XX ± 0.20	CHECKED: Andy	
.XXX ± 0.15	DRAWN: Vic	
X° ± 3'		
	UNITS: mm	SCALE: NONE
		TITLE: Mini PCI Express Latch H:5.6mm
		PART NO: 906MPE-Latch-03
		SHEET: 3 OF 3

AO	28.9.2018
REV	DATE

1 2 3 4 5 6 7 8 9 10