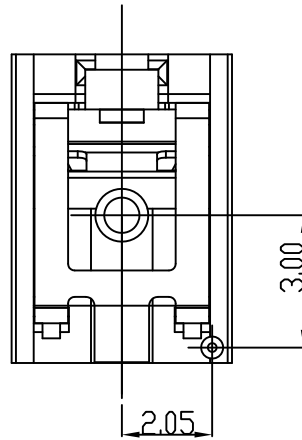
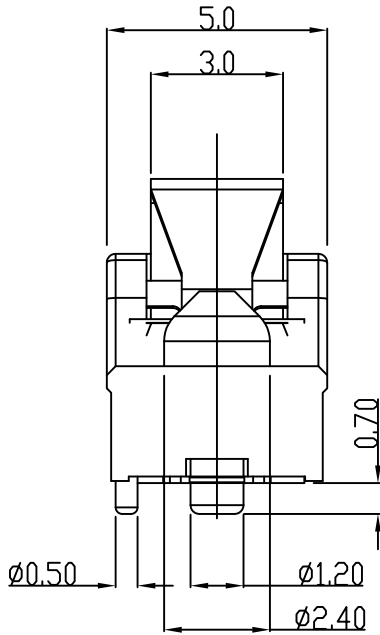
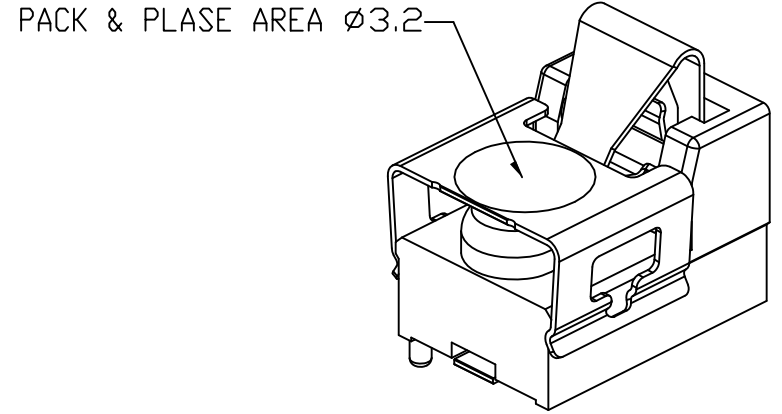
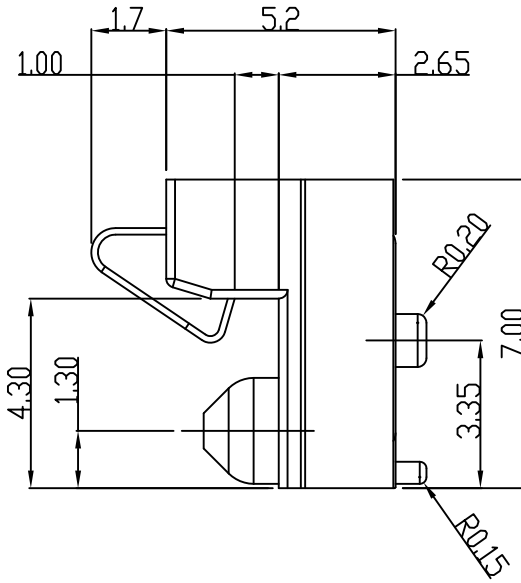
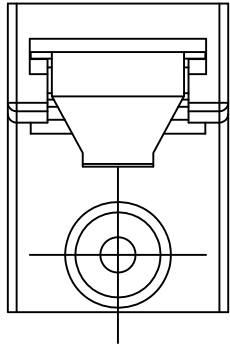

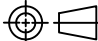


1 2 3 4 5 6 7 8 9 10

A
B
C
D
E
F



- NOTES:
 1.MATERIAL:
 HOUSING: LCP, UL94V-0, Black
 LATCH: PHOSPHOR BRONZE
 COVER: SUS304
 2.FINISH:
 LATCH:
 SOLDER AREA: 100u" TIN PLATED
 UNDER PLATING: 50u" NICKEL PLATED.
 3.SPECIFICATION:
 OPERATING TEMPERATURE: -40°C to +90°C

PROPRIETARY NOTE: This document contains confidential information and proprietary to Rego Electronics and shall not be reproduced or disclosed to other documents or used for any purpose other than that for which was obtained without the expressed written consent of Rego Electronics.		
.X ± 0.30	APPROVED: Chris	
.XX ± 0.20	CHECKED: Andy	
.XXX ± 0.15	DRAWN: Vic	
X* ± 3'		TITLE: Mini PCI Express Latch H:5.2mm
	UNITS: mm	PART NO: 906MPE-Latch-02
	SCALE: NONE	SHEET: 1 OF 3

AO	28.9.2018
REV	DATE

1 2 3 4 5 6 7 8 9 10

1 2 3 4 5 6 7 8 9 10

A

B

C

D

E

F

A

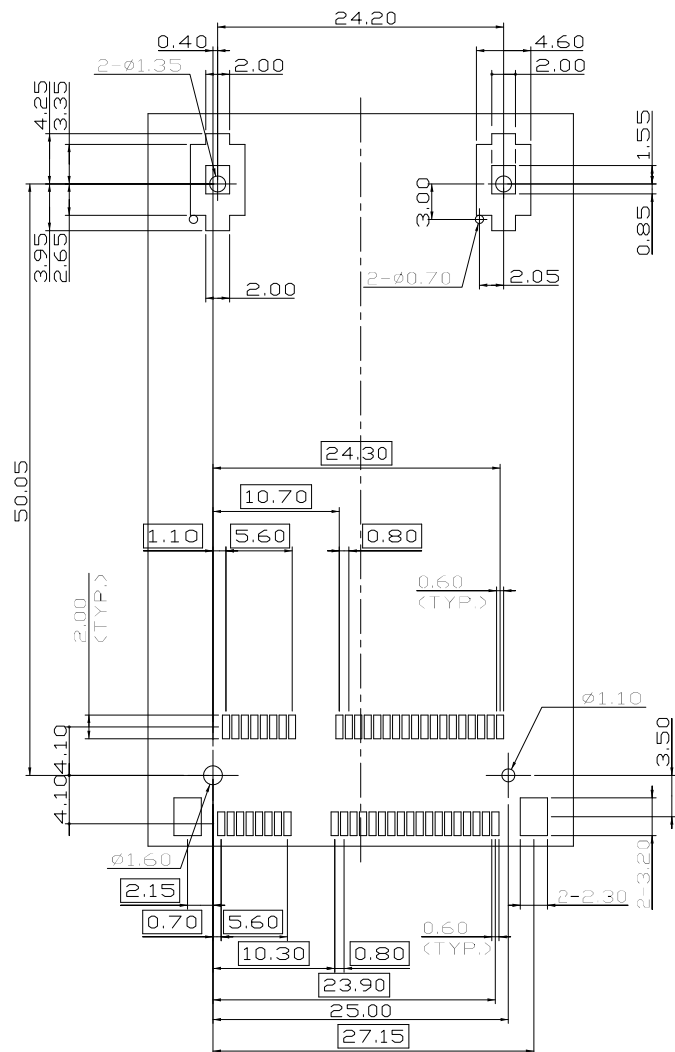
B

C

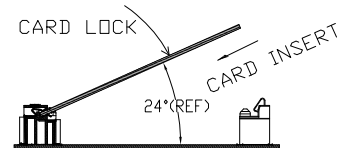
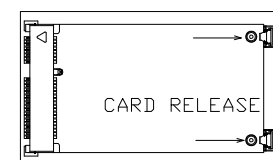
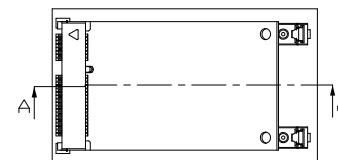
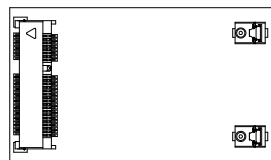
D

E

F




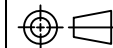
RECOMMEND PC BOARD LAYOUT
GENERAL TOLERANCE: $\pm 0.05\text{mm}$



SECTION A-A

PROPRIETARY NOTE:

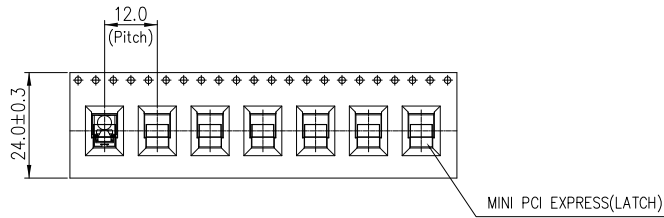
This document contains confidential information and proprietary to Rego Electronics and shall not be reproduced or disclosed to other documents or used for any purpose other than that for which was obtained without the expressed written consent of Rego Electronics.

.X ± 0.30	APPROVED:	 http://www.rego.com.tw
.XX ± 0.20	CHECKED: Chris	
.XXX ± 0.15	DRAWN: Andy	
X° $\pm 3'$	DRAWN: Vic	
	UNITS: mm	SCALE: NONE
TITLE: Mini PCI Express Latch H:5.2mm		PART NO: 906MPE-Latch-02
SHEET: 2 OF 3		

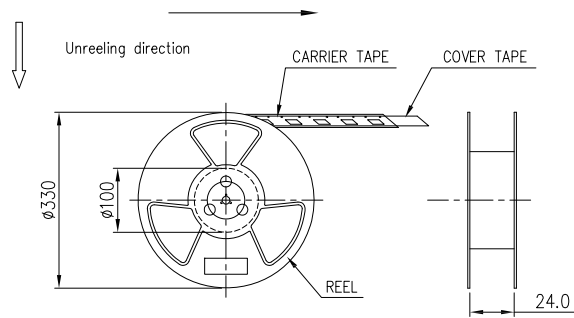
A0	28.9.2018
REV	DATE

1 2 3 4 5 6 7 8 9 10

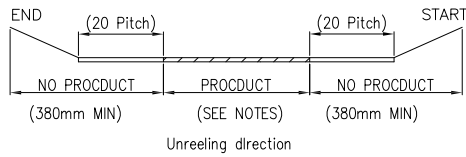
A



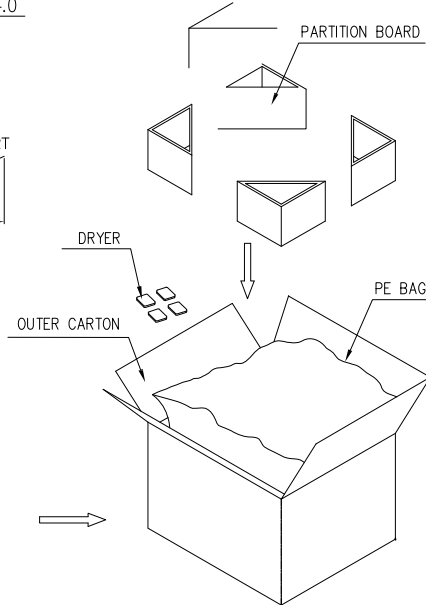
B



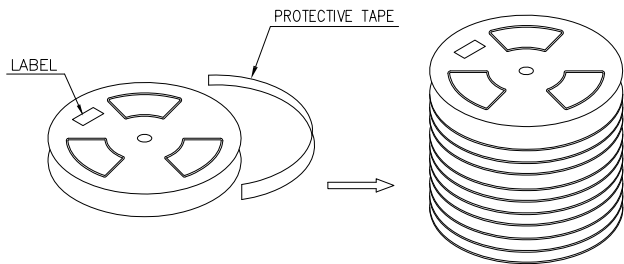
C



D



E



F

NOTES:

1. PACKING STYLE

906 MPE-Latch-01	4.0H	700 PCS/REEL 7,000 PCS/OUTER CARTON
906 MPE-Latch-02	5.2H	600 PCS/REEL 6,000 PCS/OUTER CARTON
906 MPE-Latch-03	5.6H	550 PCS/REEL 5,500 PCS/OUTER CARTON
906 MPE-Latch-04	8.0H	400 PCS/REEL 4,000 PCS/OUTER CARTON
906 MPE-Latch-05	9.2H	300 PCS/REEL 3,000 PCS/OUTER CARTON

2. MATERIAL: CARRIER TAPE: PS BLACK

COVER TAPE: PET FILM

REEL: PLASTIC


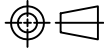
3. PEEL STRENGTH OF COVER TAPE: 20~80g(PEEL SPEED 300mm/MINUTE)

4. CARTON SIZE: 360x360x330mm

5. G/W: Kg, N/W: Kg

PROPRIETARY NOTE:

This document contains confidential information and proprietary to Rego Electronics and shall not be reproduced or disclosed to other documents or used for any purpose other than that for which was obtained without the expressed written consent of Rego Electronics.

.X ± 0.30	APPROVED: Chris	 http://www.rego.com.tw
.XX ± 0.20	CHECKED: Andy	
.XXX ± 0.15	DRAWN: Vic	
X* ± 3'		
	UNITS: mm	SCALE: NONE
PART NO: 906MPE-Latch-02		SHEET: 3 OF 3

AO	28.9.2018
REV	DATE