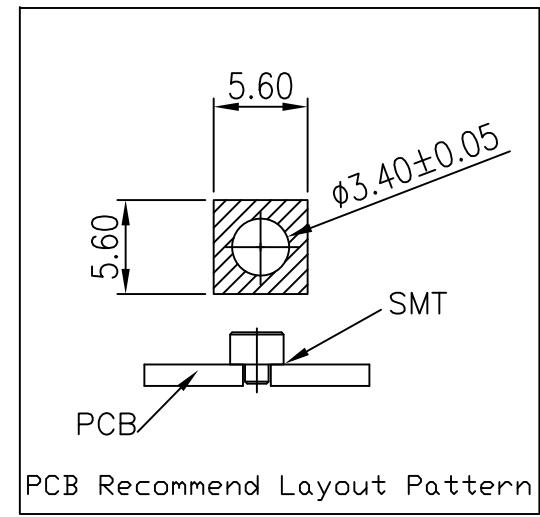
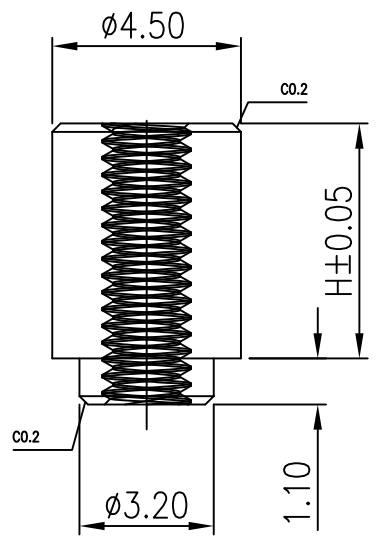
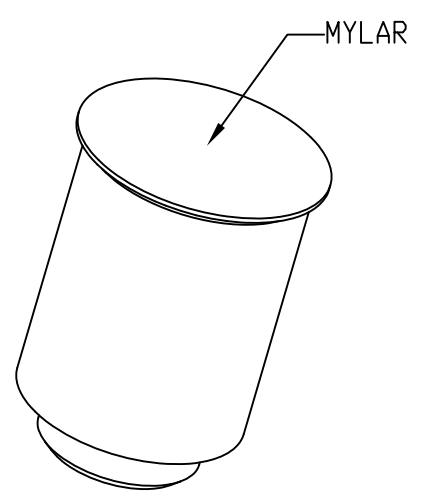
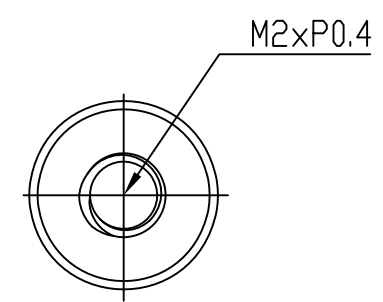


NOTE:  
 1.MATERIAL: Copper Alloy  
 2.Plating: Sn.



P/N	"H"±0.1	Mini PCI E P/N
906MPE-NUT01	1.6	906MPCIE-02400(4.0H)
906MPE-NUT02	2.8	906MPCIE-02520(5.2H)
906MPE-NUT03	3.2	906MPCIE-02560(5.6H)
906MPE-NUT04	5.6	906MPCIE-02800(8.0H)
906MPE-NUT05	6.8	906MPCIE-02920(9.2H)
906MPE-NUT06	7.5	906MPCIE-02990(9.9H)
906MPE-NUT07	4.6	906MPCIE-02700(7.0H)

PROPRIETARY NOTE:  
 This document contains confidential information and proprietary to Rego Electronics and shall not be reproduced or disclosed to other documents or used for any purpose other than that for which was obtained without the expressed written consent of Rego Electronics.

.X ±0.30	APPROVED: Chris	
.XX ±0.20	CHECKED: Andy	
.XXX±0.15	DRAWN: Vic	
X' ± 3'	TITLE: Mini PCI Express Standoff	
	UNITS: mm	SCALE: NONE
PART NO: 906MPE-NUT0x		SHEET: 1 OF 10

A2	24.3.2018
REV	DATE