


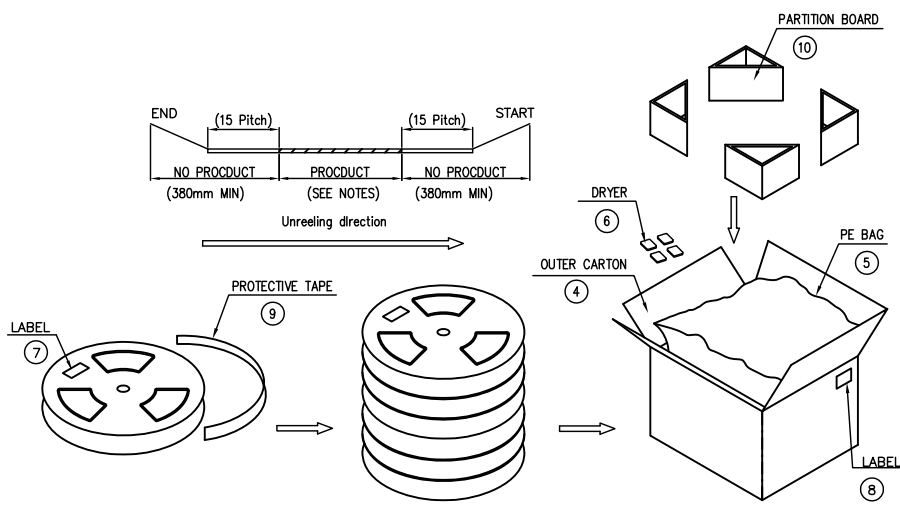
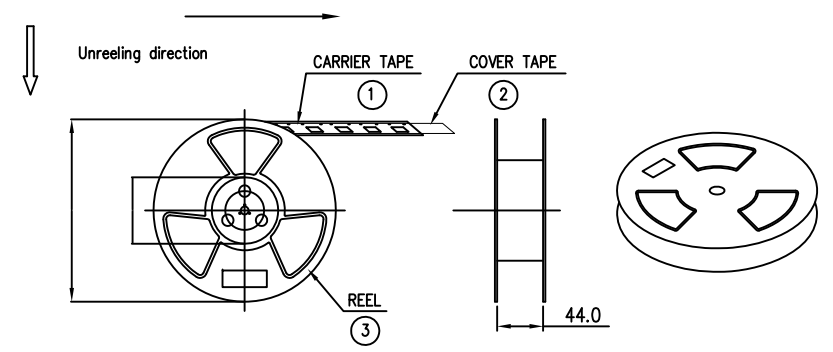
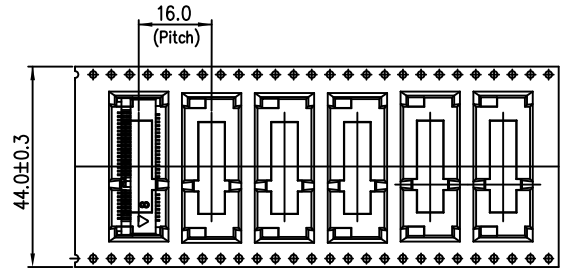
DATE CODE : YMMDD
 Y: YEAR
 MM: MOON (01~12)
 DD: DAY (01~31)

ITEM	PART NAME	Q'TY	MATERIAL	PLATING
1	BODY	1	LCP	
2	CONTACT	52	PHOSPHOR BRONZE	GOLD G/F
3	HOLD DOWN	2	BRASS	TIN 100u"

PROPRIETARY NOTE:
 This document contains confidential information and proprietary to Rego Electronics and shall not be reproduced or disclosed to other documents or used for any purpose other than that for which was obtained without the expressed written consent of Rego Electronics.

.X ± 0.30	APPROVED:	Chris	 http://www.rego.com.tw		
.XX ± 0.20	CHECKED:	Andy			
.XXX ± 0.15	DRAWN:	Vic			
X° ± 3'	UNITS:	mm	SCALE:	NONE	TITLE: MINI PCI EXPRESS CONNECTOR 7.0H
				PART NO: 906MPCIE-02700	
				SHEET: 1 OF 2	


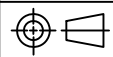
0	23.4.2015
REV	DATE



- NOTES:
- PACKING STYLE 906MPCIE-02700 (7.0H)
450 PCS/REEL
2700 PCS/OUTER CARTON
 - MATERIAL CARRIER TAPE:PS BLACK
COVER TAPE:PET FILM
REEL:PLASTIC
 - PEEL STRENGTH OF COVER TAPE:20-80g(PEEL SPEED 300mm/MINUTE).

10	PARTITION BOARD	4	PCS	
9	PROTECTIVE TAPE	3	PCS	
8	LABEL	1	PCS	
7	LABEL	6	PCS	
6	DRYER	4	BAG	
5	PE BAG	1	PCS	W750*L850*0.06mm
4	OUTER CARTON	1	PCS	350*350*320mm
3	REEL	6	SET	ø330*100mm,W=44mm
2	COVER TAPE	SEE NOTES	6	PCS W=37.5mm
1	CARRIER TAPE			W=44mm,T=0.35mm
NO	PACKING NAME	PCS/R	R/BOX	UNIT
		PACKING	QTY	NOTE

PROPRIETARY NOTE:
This document contains confidential information and proprietary to Rego Electronics and shall not be reproduced or disclosed to other documents or used for any purpose other than that for which was obtained without the expressed written consent of Rego Electronics.

. X ± 0.30	APPROVED:	Chris	 http://www.rego.com.tw		
. XX ± 0.20	CHECKED:	Andy			
. XXX ± 0.15	DRAWN:	Vic			
X° ± 3'			TITLE: MINI PCI EXPRESS CONNECTOR 7.0H		
	UNITS:	mm	SCALE:	NONE	PART NO: 906MPCIE-02700
					SHEET: 2 OF 2

O	23.4.2015
REV	DATE