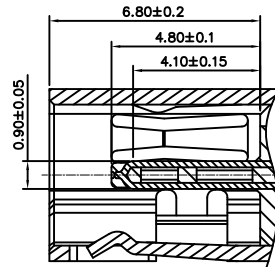
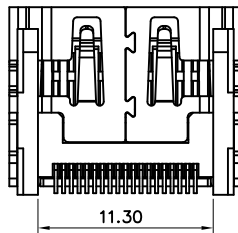
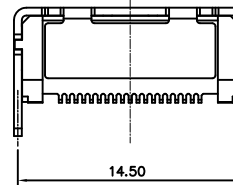
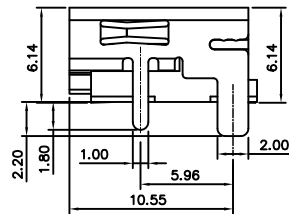
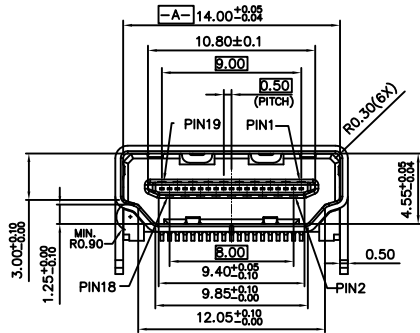
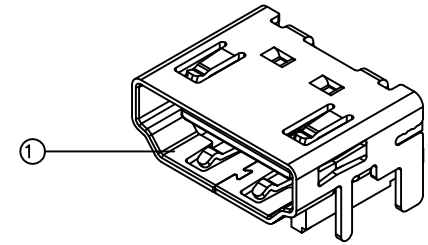
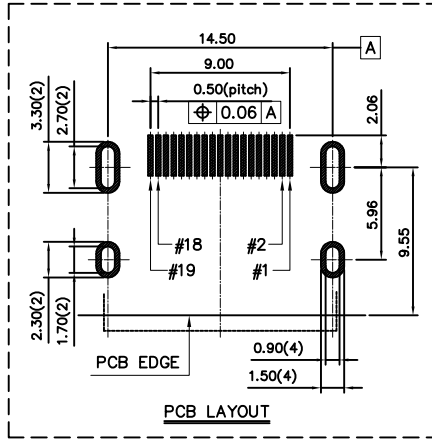
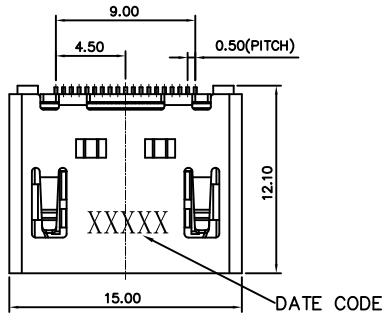


ITEM	PARTS NAME	Q'TY	MATERIAL	FINISH/REMARK
項目	零件名稱	數量	材質	處理/備註
1	SHELL	1	COPPER ALLOY	Ni: 50u ^m
2	HOUSING	1	SYNTHETIC RESIN	BLACK
3	CONTACT	19	COPPER ALLOY	Gold: 15u ^m ; Tin: 100~120u ^m ; Ni: 50u ^m



SECTION A-A
SCALE 2/1

SPECIFICATION

MATERIAL

See drawing

STANDARD DATA

Rating current: 0.5A

Operating temperature: -40°C ~ +85°C

Storage temperature: -20°C ~ +85°C

ELECTRICAL

Insulator resistance: 100 Mohms Min. @ 500 VDC

Withstanding voltage: 500 VAC/minute

Contact resistance: Initial 30 mohms Max.

After test: 60 mohms Max.

MECHANICAL

Insertion force: 44.1N(4.5Kgf) Max.

Withdrawal force: 9.8~39.2N(1.0~4.0Kgf).

Durability: 10000 cycles Min.

PART NO.

RGD13 - 0715 - 19 68 1


SERIES _____
D13=I/O CONNECTOR
0.5mm pitch

MODEL NO.

CONTACT TYPE
1=SMT type
TYPE NO.
68=Type 68
CONTACT NUMBER
19=19position

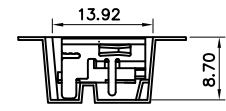
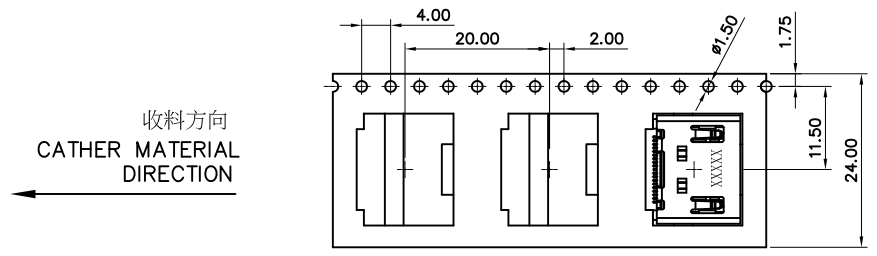
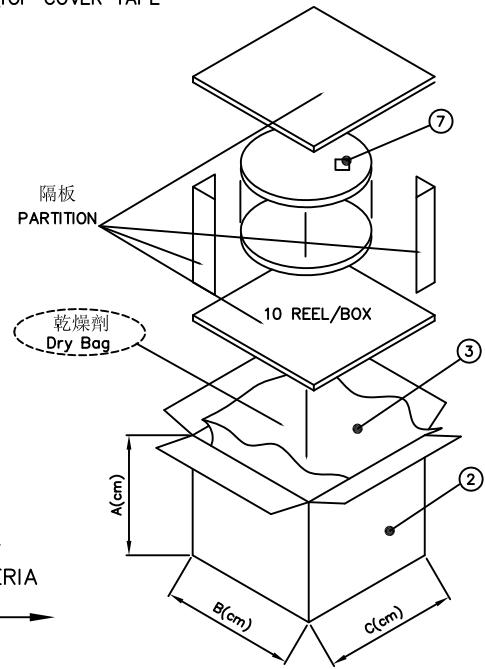
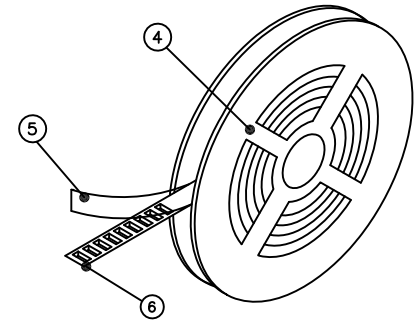
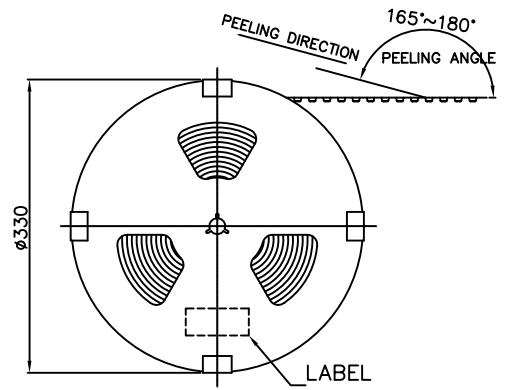
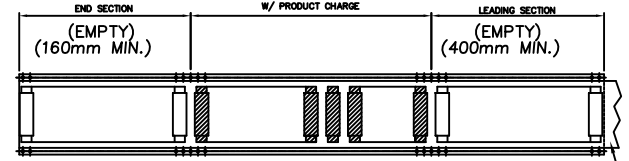
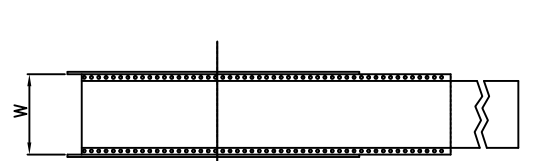
PROPRIETARY NOTE:

This document contains confidential information and proprietary to Rego Electronics and shall not be reproduced or disclosed to other documents or used for any purpose other than that for which was obtained without the expressed written consent of Rego Electronics.


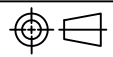
.X ± 0.30	APPROVED:	 http://www.rego.com.tw
.XX ± 0.20	Chris	
.XXX ± 0.15	CHECKED: Andy	
X' ± 3'	DRAWN: Vic	
UNITS:	SCALE:	TITLE: HDMI 2.1 Female Right Angle SMD Type Connector
mm	NONE	PART NO: RGD13-0715-19681
		SHEET: 1 OF 2

B	30.6.2021
REV	DATE

ITEM 項目	PARTS NAME 零件名稱	FINISH/REMARK 處理/備註
1	I/O CONNECTOR	3000 PCS/BOX(REFERENCE)
2	BOX	10 REEL/BOX
3	WATERPROOF BAG	1 PCS
4	REEL	--
5	COVER TAPE	(COLOR: TRANSPARENT)
6	CARRIER TAPE	300 PCS/REEL(REFERENCE)
7	LABEL	



NOTES
 1.MATERIAL: PS (Color: 透明)
 2.DEFORMATION(變形)&DAMAGE(損壞): NA.(不可)
 3.All dimensions meet EIA-481-C requirements.

PROPRIETARY NOTE: This document contains confidential information and proprietary to Rego Electronics and shall not be reproduced or disclosed to other documents or used for any purpose other than that for which was obtained without the expressed written consent of Rego Electronics.		
.X ± 0.30	APPROVED: Chris	 http://www.rego.com.tw TITLE: HDMI 2.1 Female Right Angle SMD Type Connector
.XX ± 0.20	CHECKED: Andy	
.XXX ± 0.15	DRAWN: Vic	
X' ± 3'		
 UNITS: mm	SCALE: NONE	PART NO: RGD13-0715-19681
		SHEET: 2 OF 2

B	30.6.2021
REV	DATE