

**Material:**

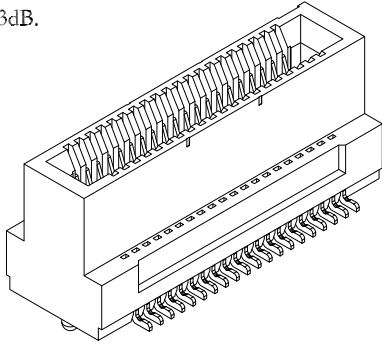
Housing: LCP, UL94V-0,Black.  
 Contacts: Phosphor Bronze , Gold Plated on Contact Area and 80u" Min Matte Tin Plated on solder tail over Nickel 50u"Min.

**Electrical Characteristics:**

Current Rating: 1.8A @ 30°C Temperature Rise.  
 Dielectric Withstanding Voltage: AC 600V For 1 minute.  
 Insulator Resistance: 100000MΩ min. at DC 500V.  
 Contact Resistance: 15.8mΩ max. at DC 100mA.  
 Operating Temperature: -55°C~+125°C.

**\*RoHS Compliant**

Insertion Depth: 4.22mm To 5.66mm.  
 Mates With: 1.60±0.1mm Thick Edge Card.  
 Speed: 18Gbps @-3dB.




803HC08 - 2 X 20 C 30 D P T - S

- Series
- Double Row
- Position Per Row
- C: Selective Gold Plated
- 00: 00μ"
- 10: 10μ"
- 15: 15μ"
- 30: 30μ"
- S: Mylar
- P: Plastic Pad
- T: Tape&Reel Packaging
- U: Tube Packaging
- P: With Post
- N: Without Post
- D: SMD Type

P.C. Board Layout  
 (Tolerance ±0.05)

Section A-A

<b>PROPRIETARY NOTE:</b> This document contains confidential information and proprietary to Rego Electronics and shall not be reproduced or disclosed to other documents or used for any purpose other than that for which was obtained without the expressed written consent of Rego Electronics.			
.X ± 0.30	APPROVED:	Chris	 <a href="http://www.rego.com.tw">http://www.rego.com.tw</a>
.XX ± 0.20	CHECKED:	Andy	
.XXX ± 0.15	DRAWN:	Vic	TITLE: High Speed Edge Card Connector 0.8mm Pitch 40 Pins SMD Vertical Type
X* ± 3'	UNITS:	SCALE:	PART NO: 803HC08-2X20C30DPT-S
	mm	NONE	SHEET: 1 OF 1

R5	27.2.2018
REV	DATE