

1 2 3 4 5 6 7 8 9 10

A

B

C

D

E

F

A

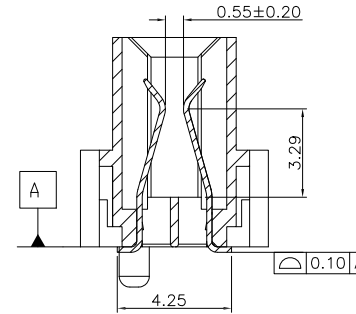
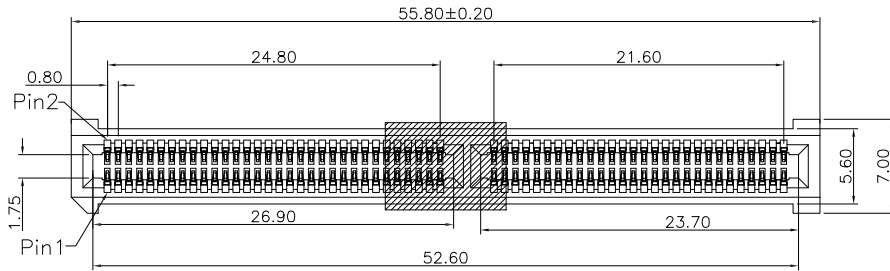
B

C

D

E

F



Section A-A  
Scale 2:1

**Material and Plating:**

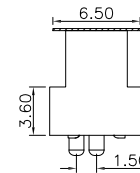
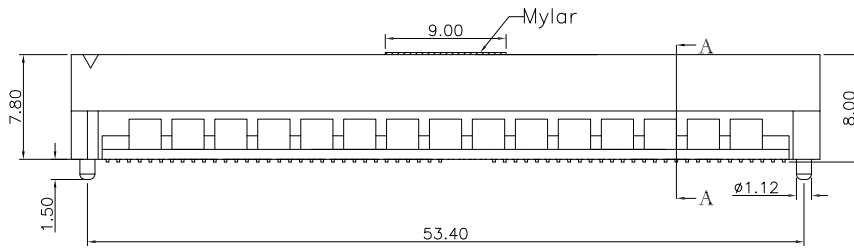
Housing: LCP,UL94V-0 , BLACK.  
Signal Contacts : Nickel Copper .  
Gold Plated on Contact Area and 80u" Min Tin Plated on Solder Tail over Nickel 50u" Min .

**Electrical Characteristics:**

Current Rating: 3.1 AMP.  
Dielectric Withstanding Voltage: AC 600V For 1 minute.  
Insulator Resistance: 6000MΩ min. at DC 250V.  
Contact Resistance: 8.4mΩ max. at DC 100mA.  
Operating Temperature: -55°C~+125°C.

**\*RoHS Compliant**

Insertion Depth: 3.15mm To 5.55mm.  
Speed: 28+Gbps @-3dB.  
Mating cycle: 250.  
Support PCIE Gen 3 & USB 3.1 10Gpbs


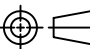


803HC01- 2 X 60 C 30 D P 1 T - S

Series ————  
Double Row ————  
Position Per Row ————  
C: Selective Gold Plated ————  
00: 00μ"  
10: 10μ"  
15: 15μ"  
30: 30μ"

S: Mylar  
P: Plastic Pad  
Blank: Without Pad  
T: Tape&Reel Package  
U: Tube Package  
1: With Front Key  
P: With Post  
N: Without Post  
D: SMD Type

**PROPRIETARY NOTE:**  
This document contains confidential information and proprietary to Rego Electronics and shall not be reproduced or disclosed to other documents or used for any purpose other than that for which was obtained without the expressed written consent of Rego Electronics.

.X ± 0.30	APPROVED: Chris	 <a href="http://www.rego.com.tw">http://www.rego.com.tw</a>
.XX ± 0.20	CHECKED: Andy	
.XXX ± 0.15	DRAWN: Vic	
X* ± 3*		
	UNITS: mm	SCALE: NONE
TITLE: Edge Card Connector 0.80mm Pitch 120PINS SMD TYPE		PART NO: 803HC01-2X60C30DP1T-S
SHEET: 1		2

X3	23.11.2017
REV	DATE

1 2 3 4 5 6 7 8 9 10

1 2 3 4 5 6 7 8 9 10

A

B

C

D

E

F

A

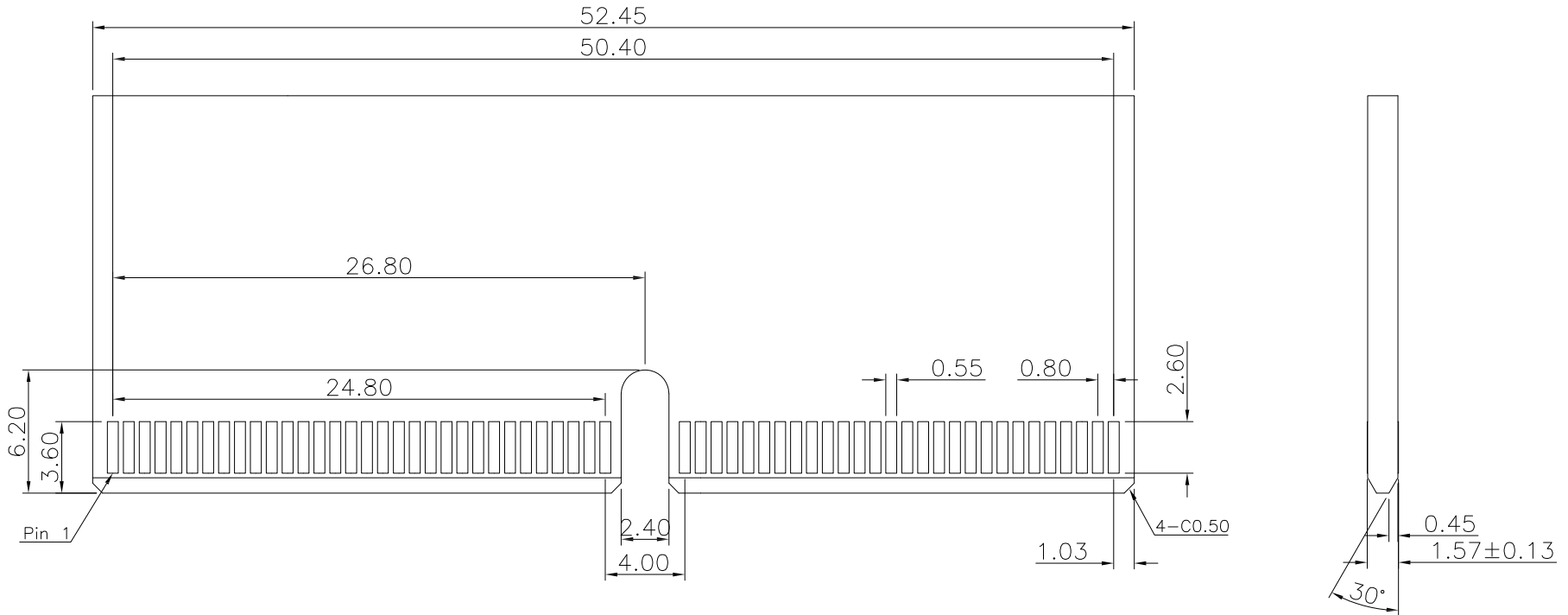
B

C

D


E

F



RECOMMENDED MATTING BOARD FOOTPRINT  
(Tolerance: ±0.05)

**PROPRIETARY NOTE:**  
This document contains confidential information and proprietary to Rego Electronics and shall not be reproduced or disclosed to other documents or used for any purpose other than that for which was obtained without the expressed written consent of Rego Electronics.

.X ± 0.30	APPROVED: Chris	 <a href="http://www.rego.com.tw">http://www.rego.com.tw</a>
.XX ± 0.20	CHECKED: Andy	
.XXX ± 0.15	DRAWN: Vic	
X° ± 3'	UNITS: mm	SCALE: NONE
PART NO: 803HC01-2X60C30DP1T-S		SHEET: 2 OF 2

X3	23.11.2017
REV	DATE

1 2 3 4 5 6 7 8 9 10