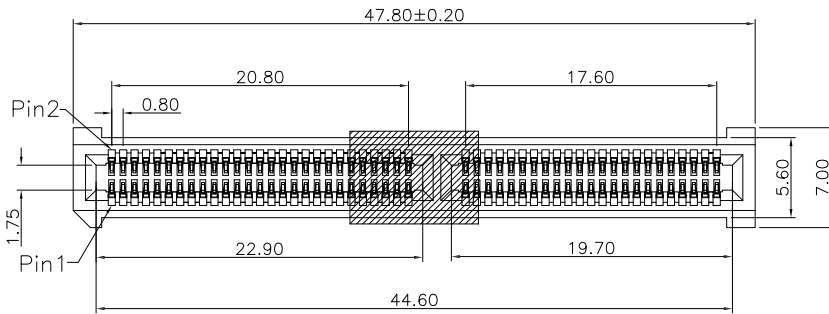


1 2 3 4 5 6 7 8 9 10

A

A



B

B

Material:

Housing: High Temperature Plastic, UL94V-0.
 Contacts: Copper Alloy.

Electrical Characteristics:

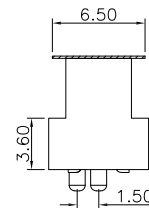
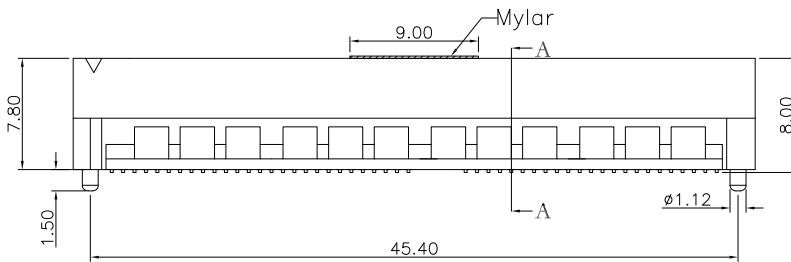
Current Rating: 3.1 AMP.
 Dielectric Withstanding Voltage: AC 600V For 1 minute.
 Insulator Resistance: 6000MΩ min. at DC 250V.
 Contact Resistance: 8.4mΩ max. at DC 100mA.
 Operating Temperature: -55°C~+125°C.

***RoHS Compliant**

Insertion Depth: 3.15mm To 5.55mm.
 Mates With: 1.6±0.05mm Thick Edge Card.
 Speed: 28+Gbps @-3dB.

C

C



D

D

803HC01 - 2 X 50 C 30 D P 1 T - S

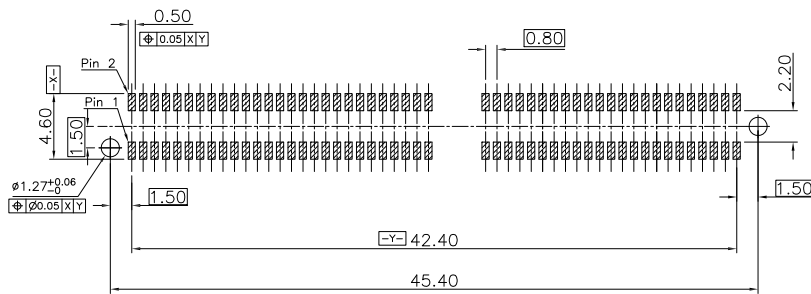
Series — 803HC01
 Double Row — 2 X
 Position Per Row — 50
 C: Selective Gold Plated
 00: 00μ"
 10: 10μ"
 15: 15μ"
 30: 30μ"

S: Mylar
 P: Plastic Pad
 Blank: Without Pad
 T: Tape&Reel Package
 U: Tube Package
 1: With Front Key

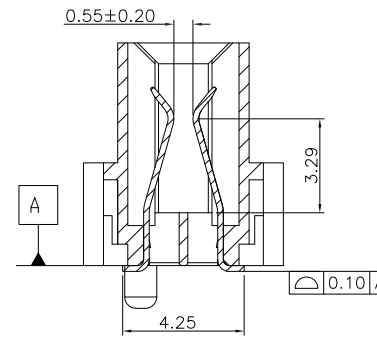
P: With Post
 N: Without Post
 D: SMD Type

E

E




P.C. Board Layout
 (Tolerance ±0.05)



Section A-A
 Scale 2:1

PROPRIETARY NOTE:

This document contains confidential information and proprietary to Rego Electronics and shall not be reproduced or disclosed to other documents or used for any purpose other than that for which was obtained without the expressed written consent of Rego Electronics.

.X ± 0.30	APPROVED: Chris	 http://www.rego.com.tw
.XX ± 0.20	CHECKED: Andy	
.XXX ± 0.15	DRAWN: Vic	TITLE: High Speed Edge Card Connector 0.8mm Pitch 100 Pins SMD Vertical Type
X* ± 3'	UNITS: mm	SCALE: NONE
PART NO: 803HC01-2X50C30DP1T-S		SHEET: 1 OF 1

X2	23.11.2017
REV	DATE

1 2 3 4 5 6 7 8 9 10

F

F