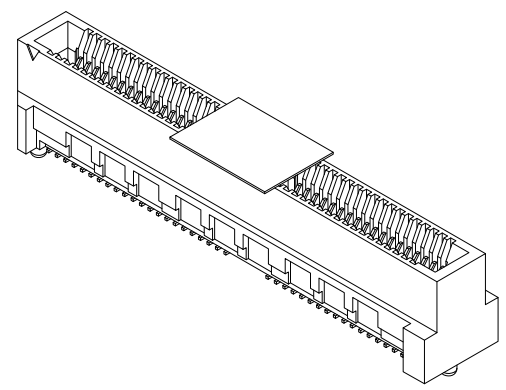
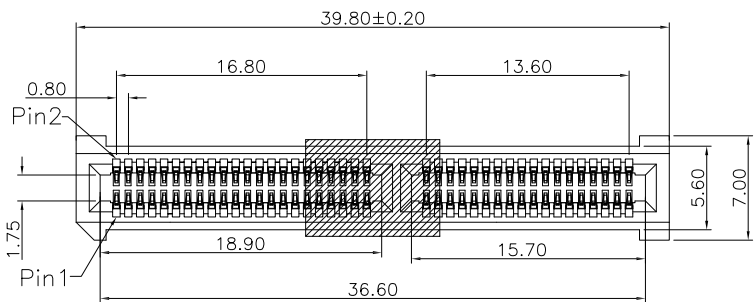


1 2 3 4 5 6 7 8 9 10

A
B
C
D
E
F



Material and Plating:

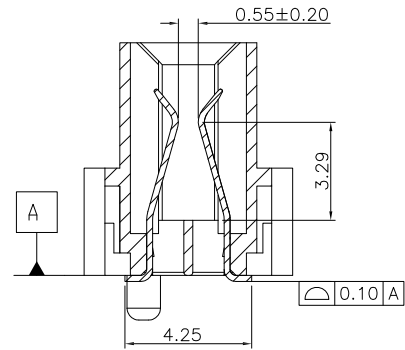
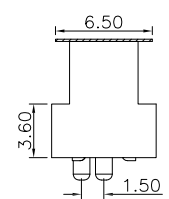
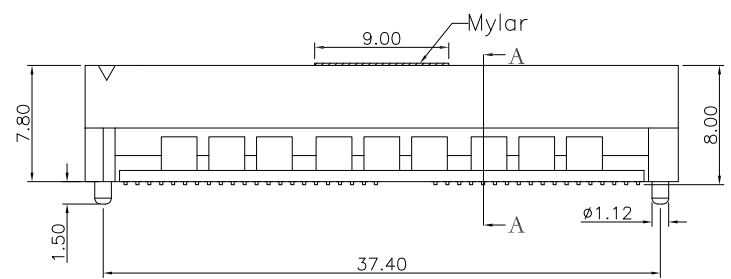
Housing: LCP, UL94V-0, BLACK.
Signal Contacts : Nickel Copper .
30u" gold plated on Contact Area and 80u" Min Tin Plated on Solder Tail over Nickel 50u" Min.

Electrical Characteristics:

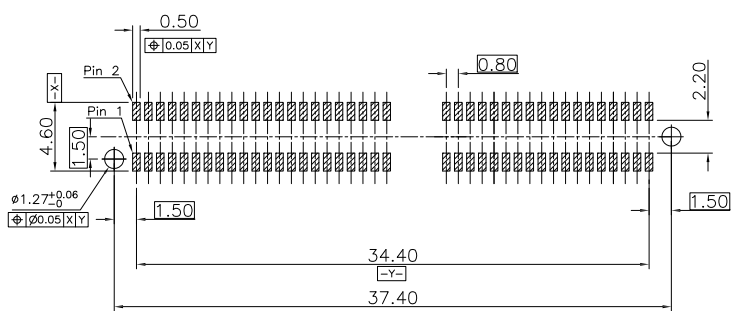
Current Rating: 3.1 AMP.
Dielectric Withstanding Voltage: AC 600V For 1 minute.
Insulator Resistance: 6000MΩ min. at DC 250V.
Contact Resistance: 8.4mΩ max. at DC 100mA.
Operating Temperature: -55°C~+125°C.

***RoHS Compliant**

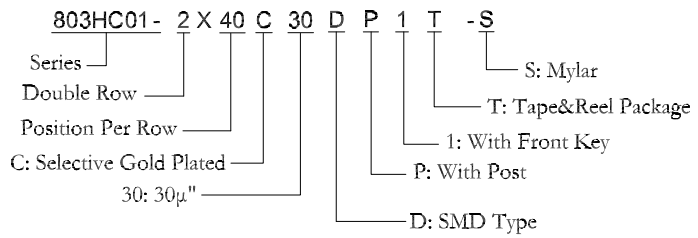
Insertion Depth: 3.15mm To 5.55mm.
Mates With: 1.6±0.05mm Thick Edge Card.
Speed: 28+Gbps @-3dB.




Section A-A
Scale 2:1



P.C. Board Layout
(Tolerance ±0.05)

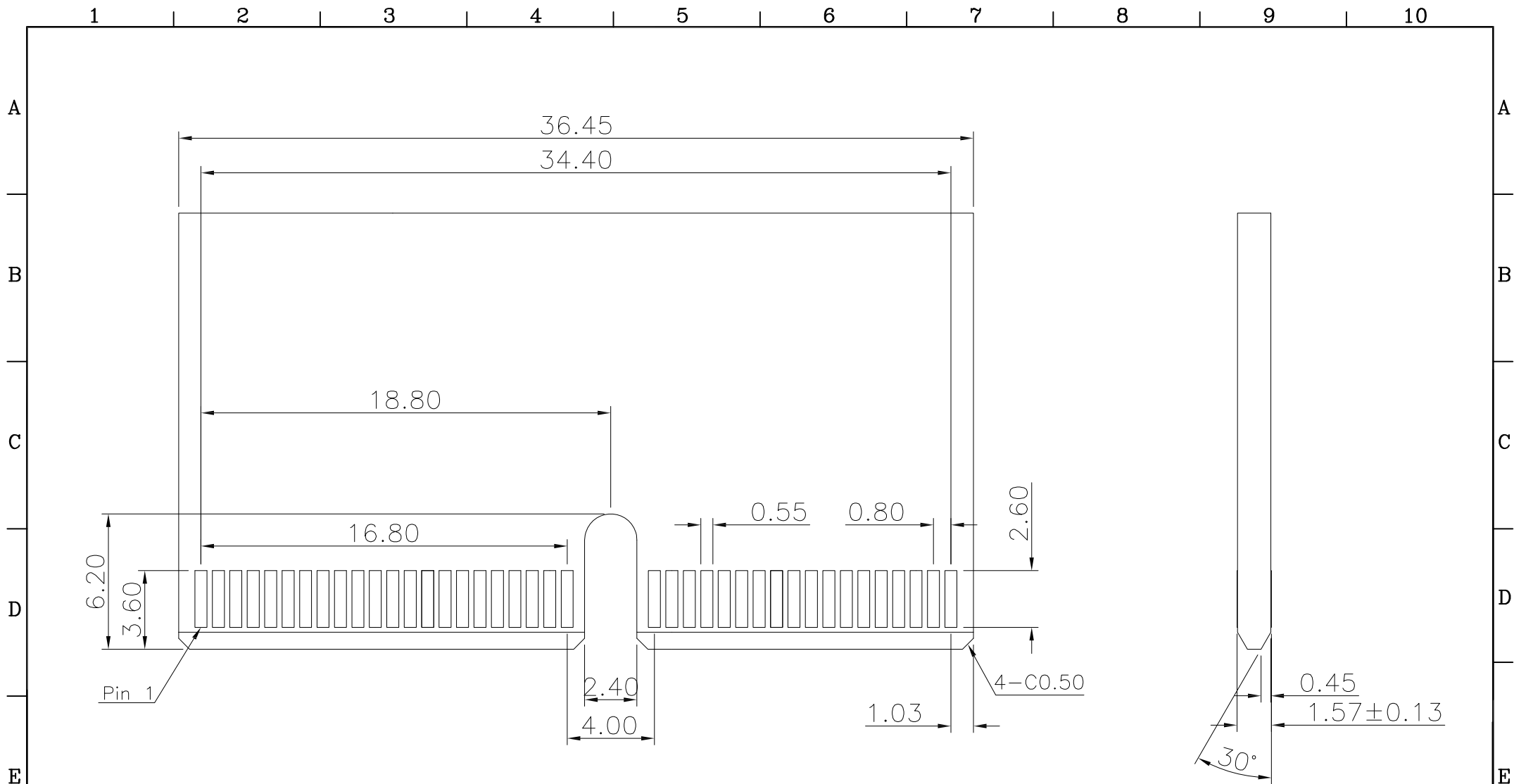


PROPRIETARY NOTE:
This document contains confidential information and proprietary to Rego Electronics and shall not be reproduced or disclosed to other documents or used for any purpose other than that for which was obtained without the expressed written consent of Rego Electronics.

.X ± 0.30	APPROVED: Chris	 http://www.rego.com.tw High Speed Edge Card Connector TITLE: 0.80mm Pitch 80 PIN SMD Vertical TYPE	
.XX ± 0.20	CHECKED: Andy		
.XXX ± 0.15	DRAWN: Vic		
X* ± 3'	UNITS: mm	SCALE: NONE	PART NO: 803HC01-2X40C30DP1T-S
			SHEET: 1 OF 2

R1	12.3.2018
REV	DATE

1 2 3 4 5 6 7 8 9 10


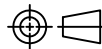


RECOMMENDED MATTING BOARD FOOTPRINT

(Tolerance: ± 0.05)

PROPRIETARY NOTE:

This document contains confidential information and proprietary to Rego Electronics and shall not be reproduced or disclosed to other documents or used for any purpose other than that for which was obtained without the expressed written consent of Rego Electronics.

.X ± 0.30	APPROVED: Chris	 http://www.rego.com.tw
.XX ± 0.20	CHECKED: Andy	
.XXX ± 0.15	DRAWN: Vic	
X* $\pm 3^{\circ}$		TITLE: 0.80mm Pitch 80 PIN SMD Vertical TYPE
	UNITS: mm	SCALE: NONE
		PART NO: 803HC01-2X40C30DP1T-S
		SHEET: 2 OF 2

R1	12.3.2018
REV	DATE