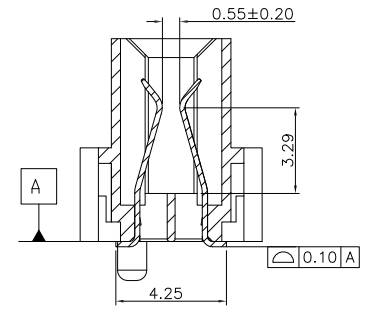
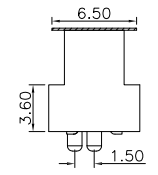
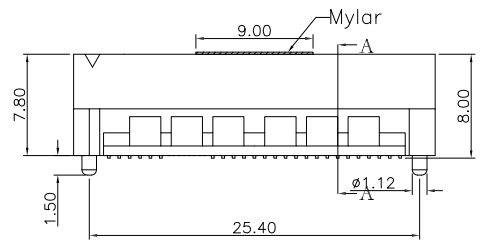
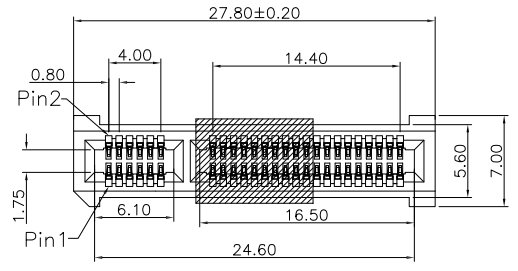


Material and Plating:
 Housing: LCP, 50% Glass Filled, UL94V-0, BLACK.
 Signal Contacts : Nickel Copper .
 30u" gold plated on Contact Area and 80~160u"
 Tin Plated on Solder Tail over nickel 50-120u" under plated .

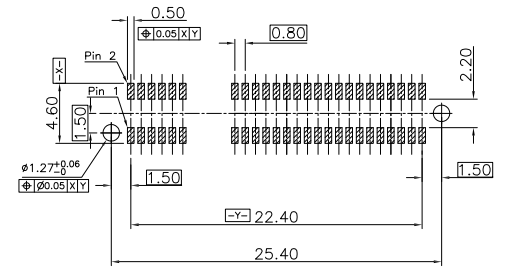
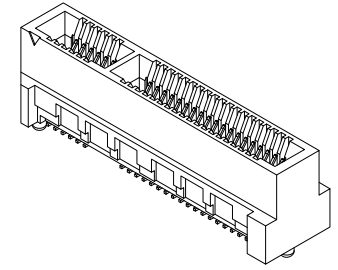
Electrical Characteristics:
 Current Rating: 3.1 AMP.
 Dielectric Withstanding Voltage: AC 600V For 1 minute.
 Insulator Resistance: 6000MΩ min. at DC 250V.
 Contact Resistance: 8.4mΩ max. at DC 100mA.
 Operating Temperature: -55°C~+125°C.

***RoHS Compliant**

Insertion Depth: 3.15mm To 5.55mm.
 Speed: 28+Gbps @-3dB.



Section A-A
Scale 2:1




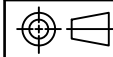
P.C. Board Layout
(Tolerance ±0.05)

803HC01 - 2 X 25 C 30 D P 1 T - S

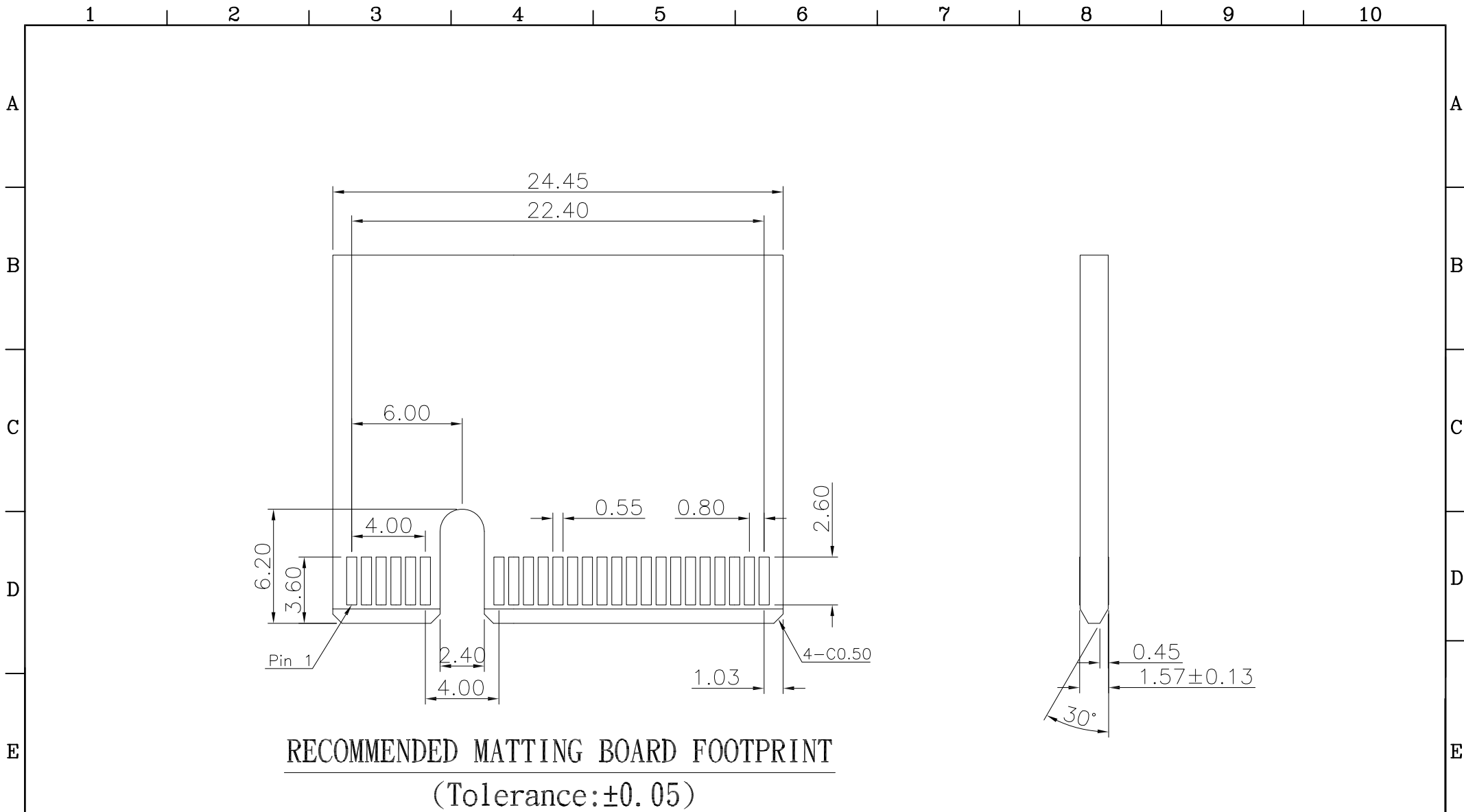
Series ————
 Double Row ————
 Position Per Row ————
 C: Selective Gold Plated
 00: 00μ"
 10: 10μ"
 15: 15μ"
 30: 30μ"

S: Mylar
 P: Plastic Pad
 Blank: Without Pad
 T: Tape&Reel Package
 U: Tube Package
 1: With Front Key
 P: With Post
 N: Without Post
 D: SMD Type

PROPRIETARY NOTE:
 This document contains confidential information and proprietary to Rego Electronics and shall not be reproduced or disclosed to other documents or used for any purpose other than that for which was obtained without the expressed written consent of Rego Electronics.


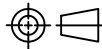
.X ± 0.30	APPROVED: Chris	 http://www.rego.com.tw
.XX ± 0.20	CHECKED: Andy	
.XXX ± 0.15	DRAWN: Vic	
X* ± 3'		TITLE: High Speed Edge Card Connector 0.8mm Pitch 50 Pins SMD Vertical Type
	UNITS: mm	SCALE: NONE
	PART NO: 803HC01-2X25C30DP1T-S	
SHEET: 1 OF 2		

R4	22.11.2016
REV	DATE



RECOMMENDED MATTING BOARD FOOTPRINT
(Tolerance: ±0.05)

PROPRIETARY NOTE:
This document contains confidential information and proprietary to Rego Electronics and shall not be reproduced or disclosed to other documents or used for any purpose other than that for which was obtained without the expressed written consent of Rego Electronics.

.X ± 0.30	APPROVED: Chris	 http://www.rego.com.tw	
.XX ± 0.20	CHECKED: Andy		
.XXX ± 0.15	DRAWN: Vic		
X* ± 3'	UNITS: mm	SCALE: NONE	TITLE: High Speed Edge Card Connector 0.8mm Pitch 50 Pins SMD Vertical Type
		PART NO: 803HC01-2X25C30DP1T-S	SHEET: 2 OF 2

R4	22.11.2016
REV	DATE