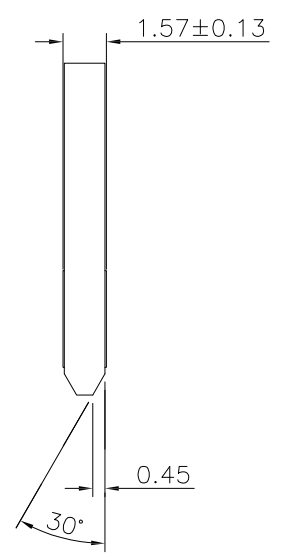
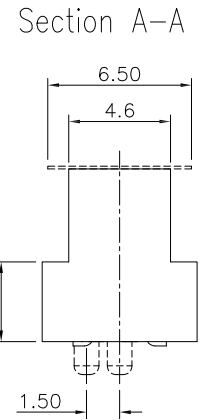
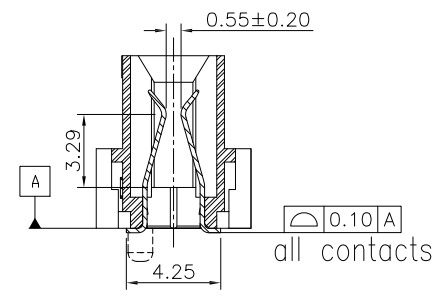


RECOMMENDED MATTING BOARD FOOTPRINT
(Tolerance: ±0.05)



Material and Plating :

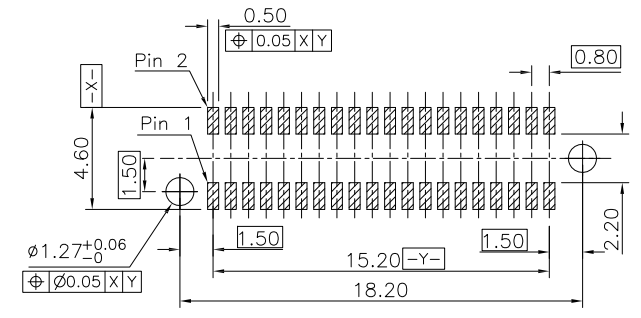
Housing: High Temperature Plastic UL94V-0.
Contacts: Nickel Copper.
Gold Plated on Contact Area and 80u" Min Tin Plated on solder tail over Nickel 50u" Min.

Electrical Characteristics:

Current Rating: 3.1 AMP.
Dielectric Withstanding Voltage: AC 600V For 1 minute.
Insulator Resistance: 6000MΩ min. at DC 250V.
Contact Resistance: 8.4mΩ max. at DC 100mA.
Operating Temperature: -55°C~+125°C.

***RoHS Compliant**


Insertion Depth: 3.15mm To 5.55mm.
Speed: 28+Gbps @-3dB.



P.C. Board Layout
(Tolerance ±0.05)

- 803HC01- 2 X 20 C xx D P T - S
- Series
 - Double Row
 - Position Per Row
 - C: Selective Gold Plated
 - 10: 10μ"
 - 30: 30μ"
 - S: Mylar
 - P: Plastic Pad
 - Blank: Without Pad
 - T: Tape&Reel Packaging
 - U: Tube Packaging
 - P: With Post
 - N: Without Post
 - D: SMD Type

PROPRIETARY NOTE:
This document contains confidential information and proprietary to Rego Electronics and shall not be reproduced or disclosed to other documents or used for any purpose other than that for which was obtained without the expressed written consent of Rego Electronics.

.X ± 0.30	APPROVED: Chris	 http://www.rego.com.tw
.XX ± 0.20	CHECKED: Andy	
.XXX ± 0.15	DRAWN: Vic	
X° ± 3'	UNITS: mm	SCALE: NONE
PART NO: 803HC01-2X20CxxDPT-S		SHEET: 1 OF 1

R5	04.8.2019
REV	DATE