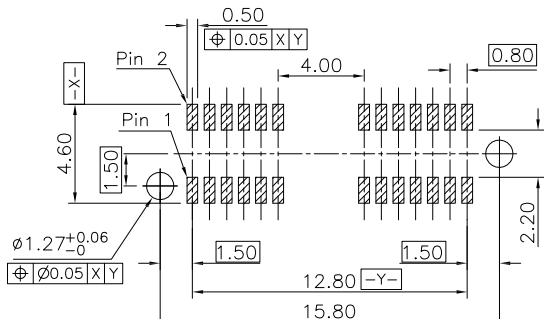
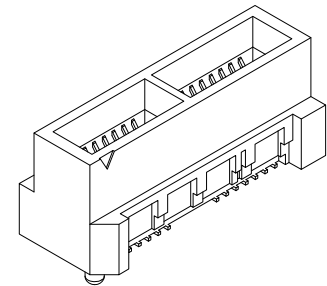
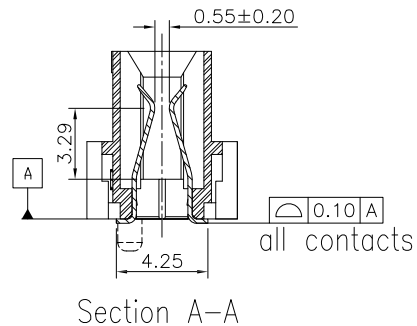
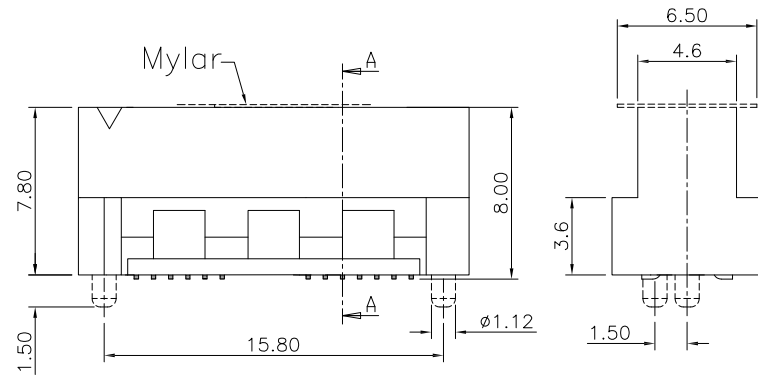
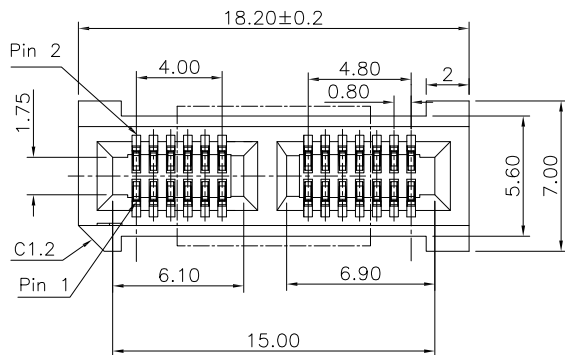


1 2 3 4 5 6 7 8 9 10

A
B
C
D
E
F

A
B
C
D
E
F



P.C. Board Layout
(Tolerance ±0.05)

Material and Plating:

Housing: LCP, UL94V-0,Black.
Contacts: High Performance Copper Alloy.
Gold Plated on Contact Area and 80u" Min Tin Plated on Solder Tail over Nickel 50u" Min .

Electrical Characteristics:

Current Rating: 3.1 AMP.
Dielectric Withstanding Voltage: AC 600V For 1 minute.
Insulator Resistance: 6000MΩ min. at DC 250V.
Contact Resistance: 8.4mΩ max. at DC 100mA.
Operating Temperature: -55°C~+125°C.

***RoHS Compliant**

Insertion Depth: 3.15mm To 5.55mm.
Speed:28+Gbps @-3dB.


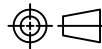
803HC01- 2 X 13 C 30 D P 1 T - S

Series ————
Double Row ————
Position Per Row ————
C: Selective Gold Plated

00: 00u"
10: 10u"
15: 15u"
30: 30u"

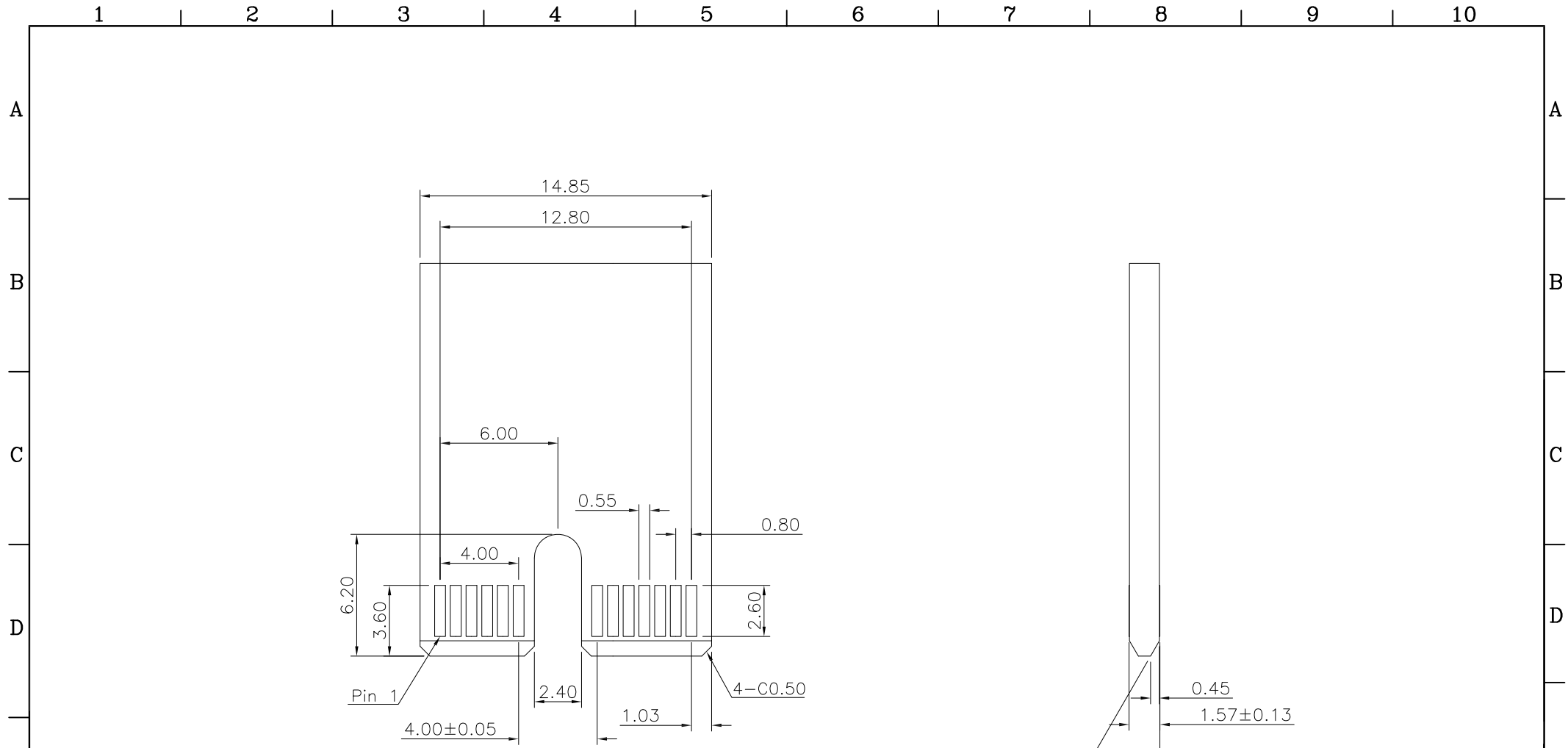
S: Mylar
P: Plastic Pad
Blank: Without Pad
T: Tape&Reel Package
U: Tube Package
1: With Front Key

P: With Post
N: Without Post
D: SMD Type


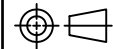
PROPRIETARY NOTE: This document contains confidential information and proprietary to Rego Electronics and shall not be reproduced or disclosed to other documents or used for any purpose other than that for which was obtained without the expressed written consent of Rego Electronics.			
.X ± 0.30	APPROVED:	Chris	 http://www.rego.com.tw
.XX ± 0.20	CHECKED:	Andy	
.XXX ± 0.15	DRAWN:	Vic	
X* ± 3'	UNITS:	SCALE:	TITLE: High Speed Edge Card Connector 0.8mm Pitch 26 Pins SMD Vertical Type
	mm	NONE	PART NO: 803HC01-2X13C30DP1T-S
SHEET: 1		OF 2	

R7	19.6.2020
REV	DATE

1 2 3 4 5 6 7 8 9 10



RECOMMENDED MATING BOARD FOOTPRINT
(Tolerance:±0.05)

PROPRIETARY NOTE: This document contains confidential information and proprietary to Rego Electronics and shall not be reproduced or disclosed to other documents or used for any purpose other than that for which was obtained without the expressed written consent of Rego Electronics.			
.X ± 0.30	APPROVED: Chris	 http://www.rego.com.tw	TITLE: High Speed Edge Card Connector 0.8mm Pitch 26 Pins SMD Vertical Type
.XX ± 0.20	CHECKED: Andy		
.XXX ± 0.15	DRAWN: Vic		
X° ± 3'			
	UNITS: mm	SCALE: NONE	PART NO: 803HC01-2X13C30DP1T-S SHEET: 2 of 2

R7	19.6.2020
REV	DATE