

Material:

Housing: High Temperature Plastic, UL94V-0.

Contacts: Copper Alloy.

Electrical Characteristics:

Current Rating: 1.8A @ 30°C Temperature Rise.

Dielectric Withstanding Voltage: AC 600V For 1 minute.

Insulator Resistance: 100000MΩ min. at DC 500V.

Contact Resistance: 15.8mΩ max. at DC 100mA.

Operating Temperature: -55°C~+125°C.

***RoHS Compliant**


Speed: 18Gbps @ -3dB.

803HC08- 2 X 50 C 30 D R 2 P N 1 T
 Series: T: Tape & Reel Package
 Double Row: 1: With Front Key
 Position Per Row: L: With Lock, N: W/O Lock
 C: Selective Gold Plated
 10: 10μ", 30: 30μ"
 D: SMD Type
 R: Right Angle
 P: With Post, N: Without Post
 1: Card Thickness 1.00mm, 2: Card Thickness 1.57mm

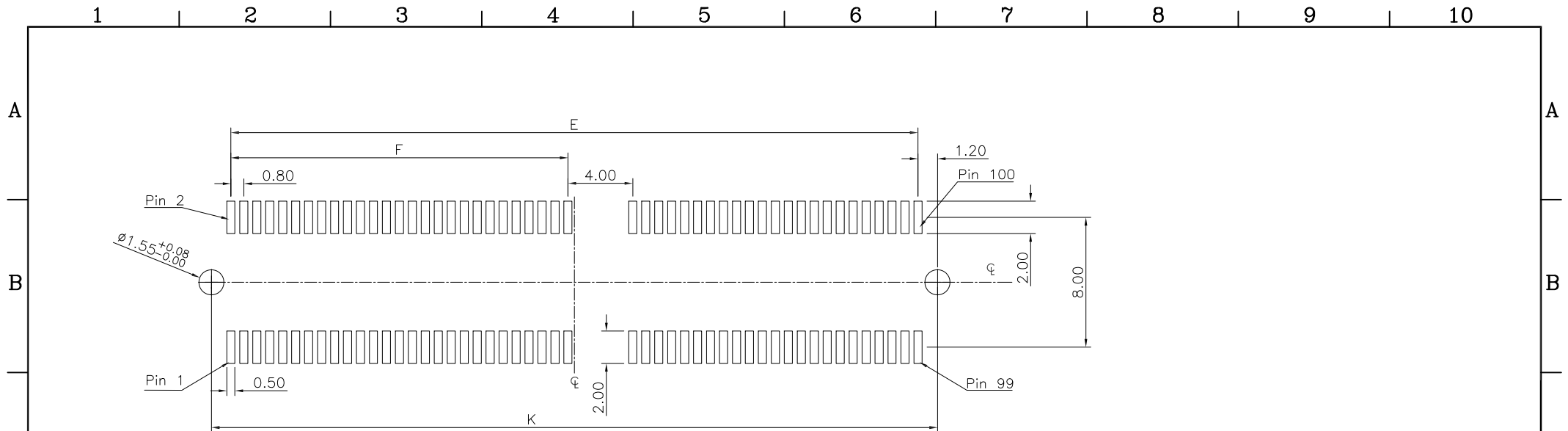
**Available Card Thickness					
Card Thickness	A	B	C	D	
	1.00	1.20	0.45	3.25	5.20
*	1.57	1.80	0.95	3.54	5.78

Position	**Available Position							
	Dimension							
	E	F	G	H	I	J	K	L
26	12.80	4.00	16.60	15.00	6.10	6.90	15.20	14.86
50	22.40	4.00	26.20	24.60	6.10	16.50	24.80	24.46
74	32.00	16.00	35.80	34.20	18.10	14.10	34.40	34.06
80	34.40	16.80	38.20	36.60	18.90	15.70	36.80	36.46
98	41.60	20.80	45.40	43.80	22.90	18.90	44.00	43.66
* 100	42.40	20.80	46.20	44.60	22.90	19.70	44.80	44.46

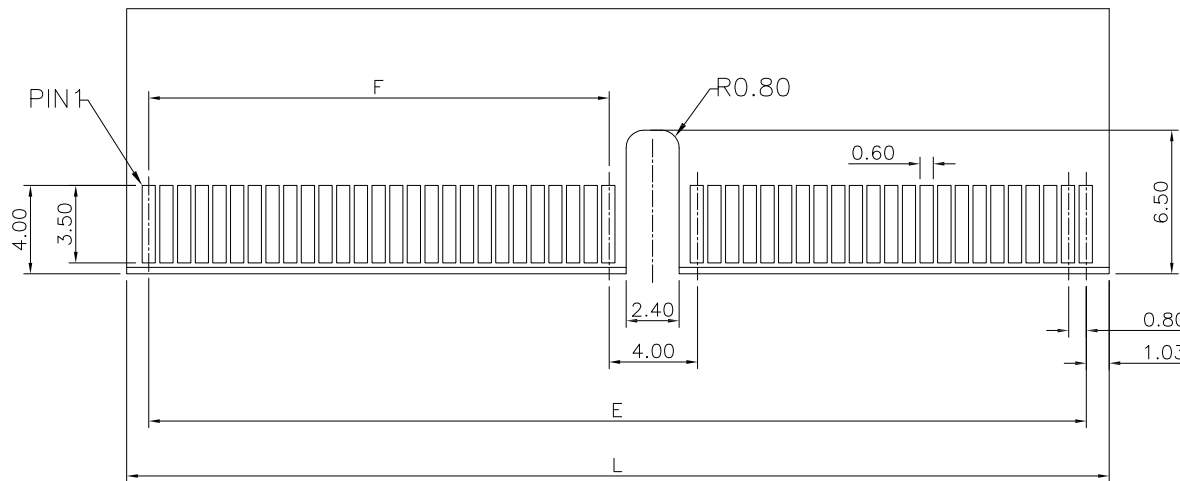
PROPRIETARY NOTE:
 This document contains confidential information and proprietary to Rego Electronics and shall not be reproduced or disclosed to other documents or used for any purpose other than that for which was obtained without the expressed written consent of Rego Electronics.

.X ± 0.30	APPROVED:	 http://www.rego.com.tw
.XX ± 0.20	CHECKED:	
.XXX ± 0.15	DRAWN:	
X° ± 3'		
	APPROVED: Chris	TITLE: High Speed Edge Card Connector 0.8mm Pitch 100 Pins SMD Right Angle Type
	CHECKED: Andy	
	DRAWN: Vic	PART NO: 803HC08-2X50C30DR2PN1T SHEET: 1 OF 2
	UNITS: mm	SCALE: NONE

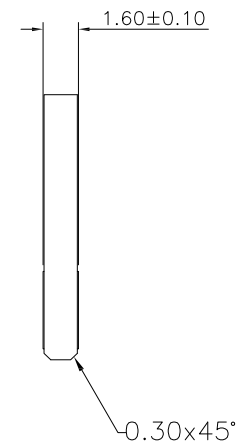
X2	28.11.2017
REV	DATE



P.C. Board Layout
(Tolerance ± 0.05)


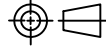


RECOMMENDED MATTING BOARD FOOTPRINT
(Tolerance: ± 0.05)



PROPRIETARY NOTE:

This document contains confidential information and proprietary to Rego Electronics and shall not be reproduced or disclosed to other documents or used for any purpose other than that for which was obtained without the expressed written consent of Rego Electronics.

.X ± 0.30	APPROVED: Chris	 http://www.rego.com.tw	
.XX ± 0.20	CHECKED: Andy		
.XXX ± 0.15	DRAWN: Vic		
X* $\pm 3^*$		TITLE: High Speed Edge Card Connector Angle Type	
	UNITS: mm	SCALE: NONE	PART NO: 803HC08-2X50C30DR2PN1T
			SHEET: 2 OF 2

X2	28.11.2017
REV	DATE