

**Material and Plating:**

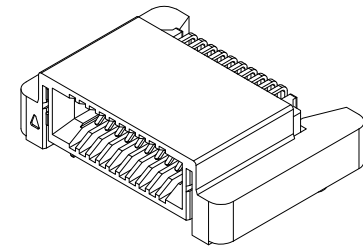
Housing: LCP, UL94V-0, Black.  
 Signal Contacts : Nickel Copper.  
 30u" Gold Plated on Contact Area and 80u" Min Tin Plated on Solder Tail over Nickel 50u" Min .

**Electrical Characteristics:**

Current Rating: 3.1A .  
 Dielectric Withstanding Voltage: ΔC 600V For 1 minute.  
 Insulator Resistance: 6000MΩ min. at DC 250V.  
 Contact Resistance: 8.4mΩ max. at DC 100mA.  
 Operating Temperature: -55°C~+125°C.



**\*RoHS Compliant**

Speed: 28+Gbps @-3dB.

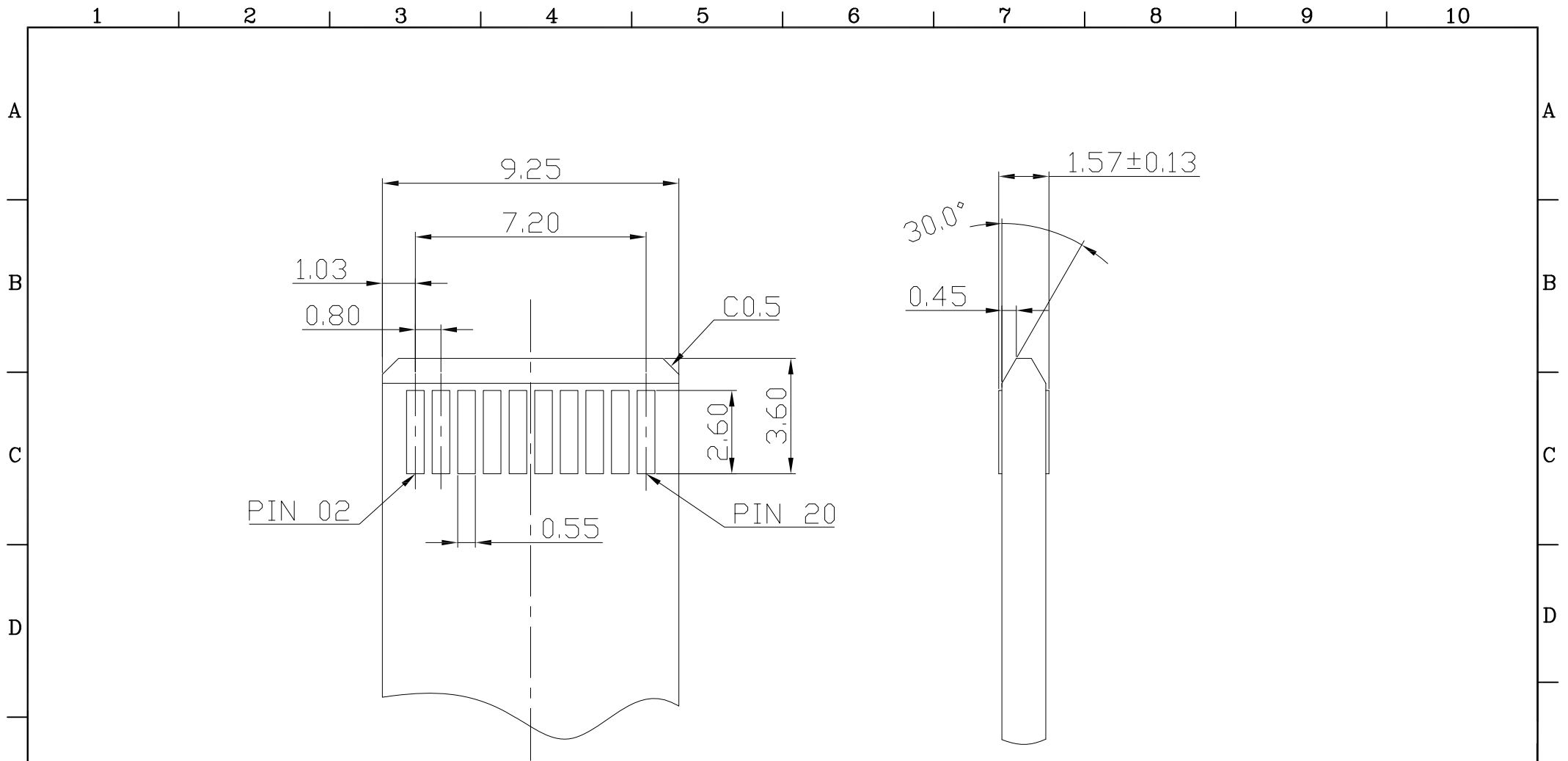


803HC01- 2 X 10 C 30 R P T  
 Series ————  
 Double Row ————  
 Position Per Row ————  
 C: Selective Gold Plated ————  
 30: 30μ" ————  
 T: Tape&Reel Package  
 U: Tube Package  
 P: With Post  
 N: Without Post  
 R: Right Angle Type

**PROPRIETARY NOTE:**  
 This document contains confidential information and proprietary to Rego Electronics and shall not be reproduced or disclosed to other documents or used for any purpose other than that for which was obtained without the expressed written consent of Rego Electronics.

.X ± 0.30	APPROVED: Chris	 <a href="http://www.rego.com.tw">http://www.rego.com.tw</a> High Speed Edge Card Connector TITLE: 0.8mm Pitch 20 Pins SMD Right Angle Type	
.XX ± 0.20	CHECKED: Andy		
.XXX ± 0.15	DRAWN: Vic		
X* ± 3°	UNITS: mm	SCALE: NONE	PART NO: 803HC01-2X10C30RPT
			SHEET: 1 OF 2


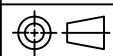
R3	24.5.2019
REV	DATE



Recommended Mating Board Footprint  
(Tolerance ±0.05)

**PROPRIETARY NOTE:**

This document contains confidential information and proprietary to Rego Electronics and shall not be reproduced or disclosed to other documents or used for any purpose other than that for which was obtained without the expressed written consent of Rego Electronics.

.X ± 0.30	APPROVED: Chris	 <a href="http://www.rego.com.tw">http://www.rego.com.tw</a> TITLE: High Speed Edge Card Connector 0.8mm Pitch 20 Pins SMD Right Angle Type	
.XX ± 0.20	CHECKED: Andy		
.XXX ± 0.15	DRAWN: Vic		
X° ± 3'			
	UNITS: mm	SCALE: NONE	PART NO: 803HC01-2X10C30RPT
			SHEET: 2 OF 2

R3	24.5.2019
REV	DATE