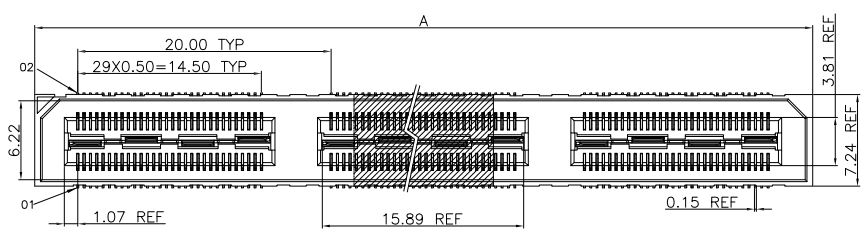
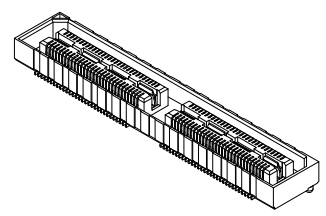


A



B



**Material and Plating:**  
 Housing: LCP, UL94V-0, Black.  
 Signal Contacts : Phosphor Bronze.  
 Gold Plated on Contact Area and 80u" Min Tin Plated on Solder Tail over nickel 50u" Min .  
 Ground Contacts : Phosphor Bronze.  
 Gold Plated on Contact Area and 80u" Min Tin Plated on Solder Tail over nickel 50u" Min .  
**Electrical Characteristics:**  
 Current Rating: Signal: 3A Per Contact With 3 Adjacent Contacts (UL).  
 Ground: 25A Per Contact With 1 Contact.  
 Voltage Rating: 125V AC .  
 Dielectric Withstanding Voltage: 525V AC For 1 minute.  
 Insulator Resistance: 5000MΩ min at DC 500V.  
 Contact Resistance: Signal: 45mΩ max .  
 Ground: 15mΩ max .  
 Operating Temperature: -55°C ~ +125°C .  
 Durability: 250 Cycle .  
**\*RoHS Compliant**

C

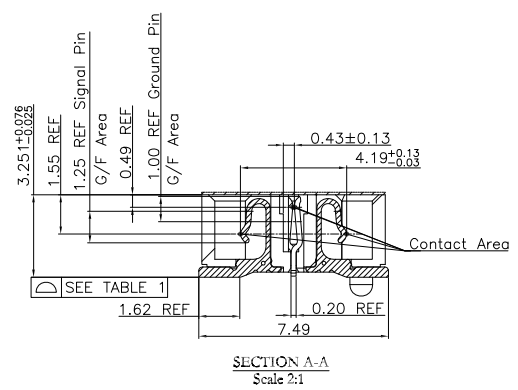
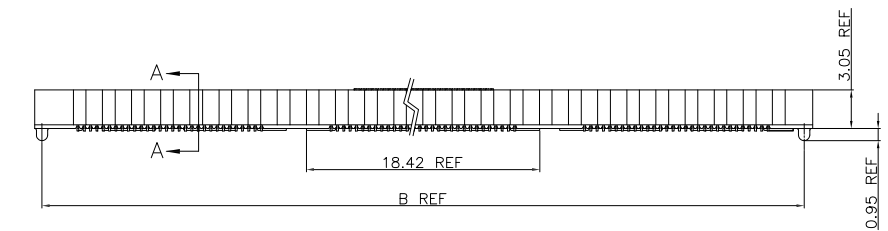
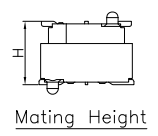


TABLE 2  
 "\*" Available Position

Code	Pos.	Dimension	
		A	B
1			
*	60	21.31	20.13
*	120	41.31	40.13
*	180	61.38	60.13
	240	81.38	80.14
*	300	101.37	100.14

D



803HC84A- XX F C X D P 1 N x x x  
 Series: S: Mylar  
 Position: Blank: Without Pad  
 F: Female T: Tape & Reel Package  
 C: Selective Gold U: Tube Package  
 Plated A: Tray Package  
 2: 05u" Blank: Without Friction lock  
 3: 10u" F: Friction lock  
 D: SMD Type Blank: Without Guides  
 N: W/O Post C: Guides Pin  
 P: With Post L: With Lock (Press Fit)  
 P1: Up & Down Post and P L1: With Lock (Solder)  
 Code 1

E

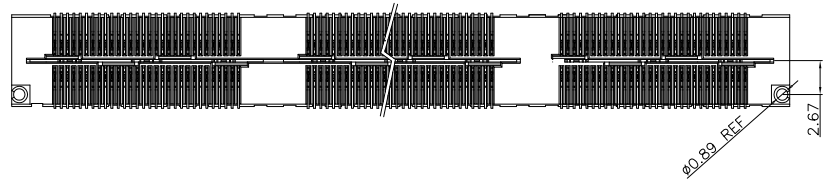


TABLE 1

NO OF POSITIONS	COPLANARITY (INCLUDING GP)
-60 THRU -120	0.10
-180 & -300	0.15

Signaling (5mm Stack Height)	Speed Rating (No PCB Effect)
Single-Ended	9.5GHz/19Gbps
Differential	10.5GHz/21Gbps

F

Code: 1~10 (A)	1	2	3	4	5	6	7	8	9	10
Male	4.267	7.267	10.267	15.243	18.240	21.237	24.237	29.238	13.269	14.270
Code: 1										
Female	3.25	3.25	3.25	3.25	3.25	3.25	3.25	3.25	3.25	3.25
Mating Height(H)	5.00	8.00	11.00	16.00	19.00	22.00	25.00	30.00	14.00	15.00

**PROPRIETARY NOTE:**  
 This document contains confidential information and proprietary to Rego Electronics and shall not be reproduced or disclosed to other documents or used for any purpose other than that for which was obtained without the expressed written consent of Rego Electronics.

.X ± 0.30	APPROVED: Chris	 <a href="http://www.rego.com.tw">http://www.rego.com.tw</a>
.XX ± 0.20	CHECKED: Andy	
.XXX ± 0.15	DRAWN: Vic	
X* ± 3'		
UNITS: mm	SCALE: NONE	TITLE: High Speed Board to Board Pitch 0.5mm Socket
PART NO: 803HC84A-xxFCxDP1Nxxxx		SHEET: 1 OF 6

R1	01.11.2020
REV	DATE