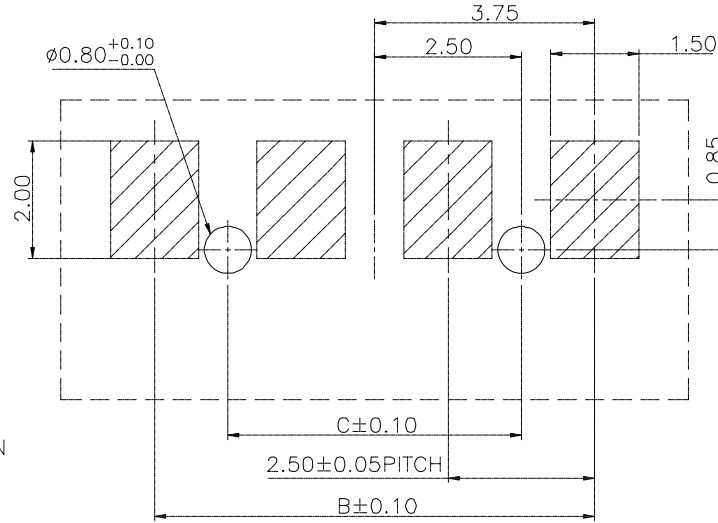


NOTE:
 *RG250040-MAXXXGX00ZR TWO PINS ITEM WITHOUT LOCATION
 *RG250040-MAXXXGX00ZR 兩PIN 無定位柱
 FORCE:
 50g~200g PER PIN

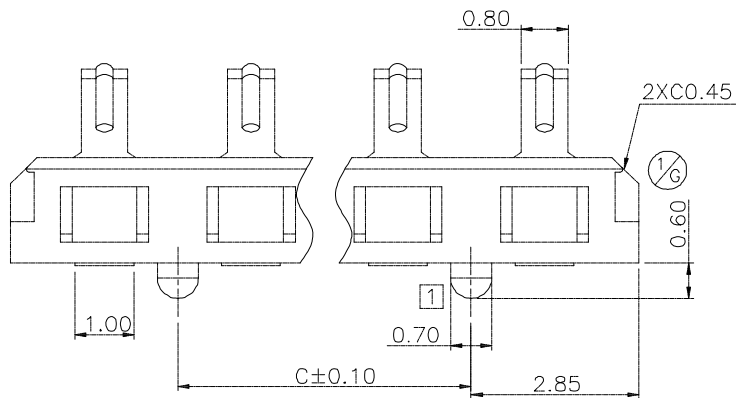
RECOMMENDED P.C.B. LAYOUT (COMPONENT SIDE)



NOTE:
 RG250040-MAXXXX00ZR
 2 1

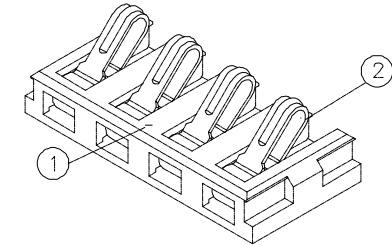
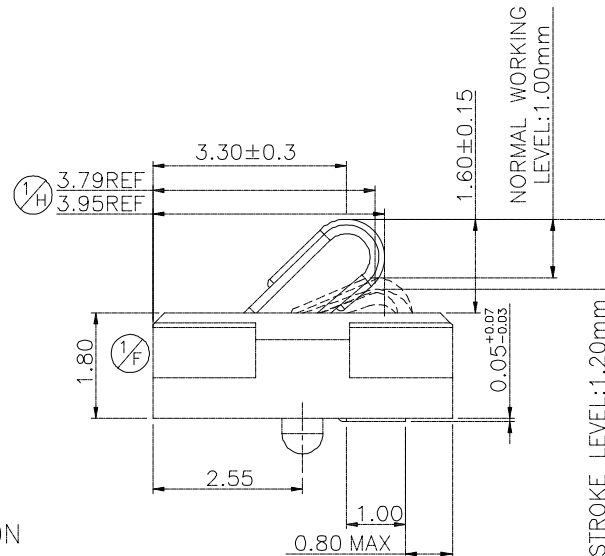
1. SELECTIVE PLATING.
- G1-05u" GOLD OVER NICKEL.
- G2- FLASH OVER NICKEL.
- G3-10u" GOLD OVER NICKEL.
- G4-15u" GOLD OVER NICKEL.
- G5-30u" GOLD OVER NICKEL.
- G6-50u" GOLD OVER NICKEL.

BF: GOLD FLASH OVER 30u" PDNI ON CONTACT AREA,
 150-200u" MATT TIN ON SOLDER AREA,
 OVER 50u" NICKEL UNDERPLATE.




2. DIMENSION INFORMATION

P/NO.	DIM.A	DIM.B	DIM.C
RG250040-MA002XX00ZR	5.70	2.50	
RG250040-MA003XX00ZR	8.20	5.00	2.50
RG250040-MA004XX00ZR	10.70	7.50	5.00
RG250040-MA005XX00ZR	13.20	10.00	7.50

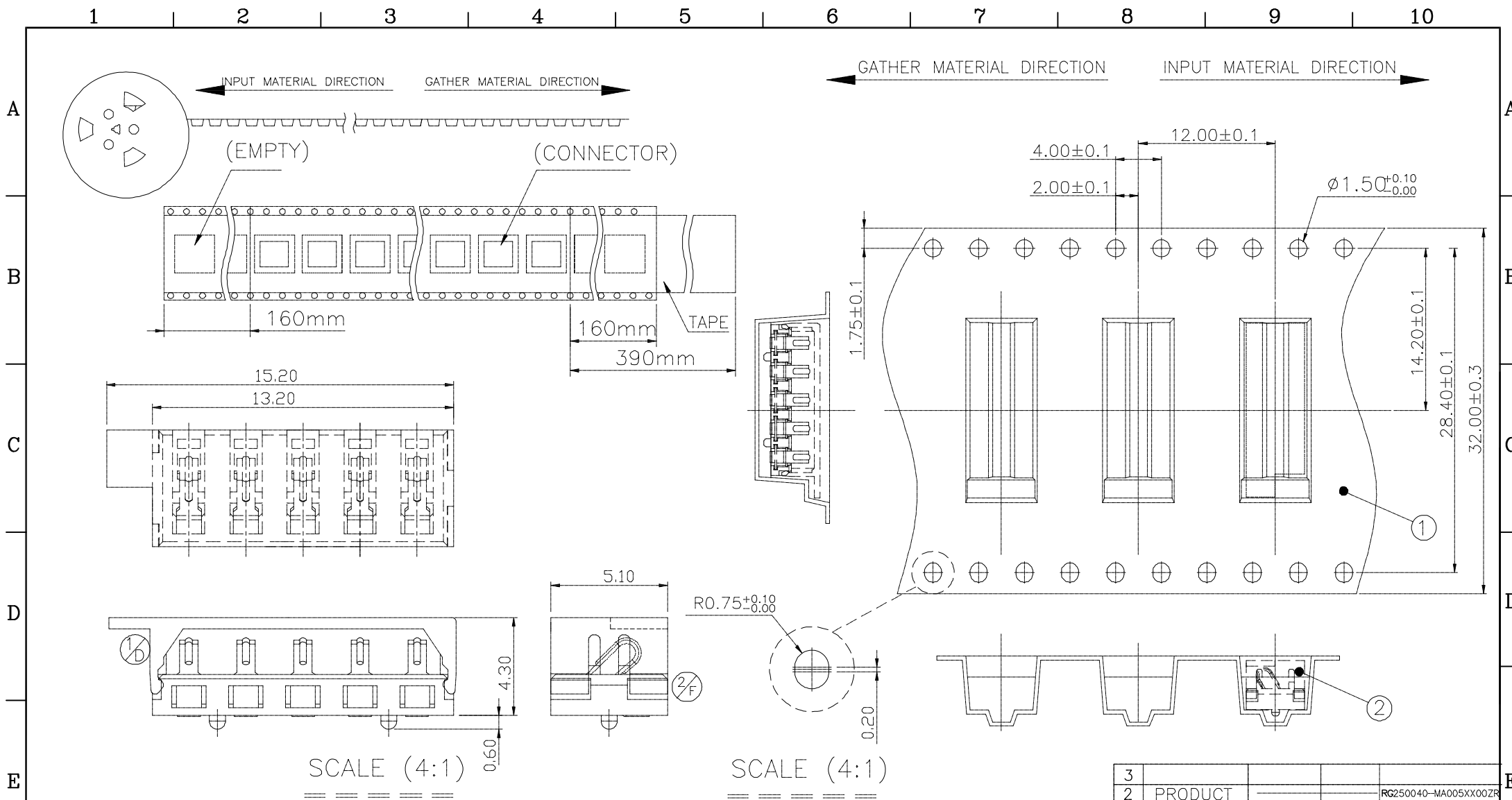


NO.	DESCRIPTION	MATERIAL	COLOR	REMARK
3	TERMINAL	COPPER ALLOY		GLD PLATED
1	HOUSING	HIGH TEMP PLASTIC	BLACK	UL94V-0

PROPRIETARY NOTE:
 This document contains confidential information and proprietary to Rego Electronics and shall not be reproduced or disclosed to other documents or used for any purpose other than that for which was obtained without the expressed written consent of Rego Electronics.

.X ± 0.30	APPROVED: Chris	 http://www.rego.com.tw
.XX ± 0.20	CHECKED: Denny	
.XXX ± 0.15	DRAWN: Bryan	
X* ± 3'		TITLE: Spring Type Battery Connector Vertical
UNITS: mm	SCALE: NONE	PART NO: RG250040-MAxxxx00ZR
		SHEET: 1 OF 1

A	RELEASE DESCRIPTION	DATE
1		06.24.2014



SCALE (4:1)


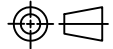
SCALE (4:1)

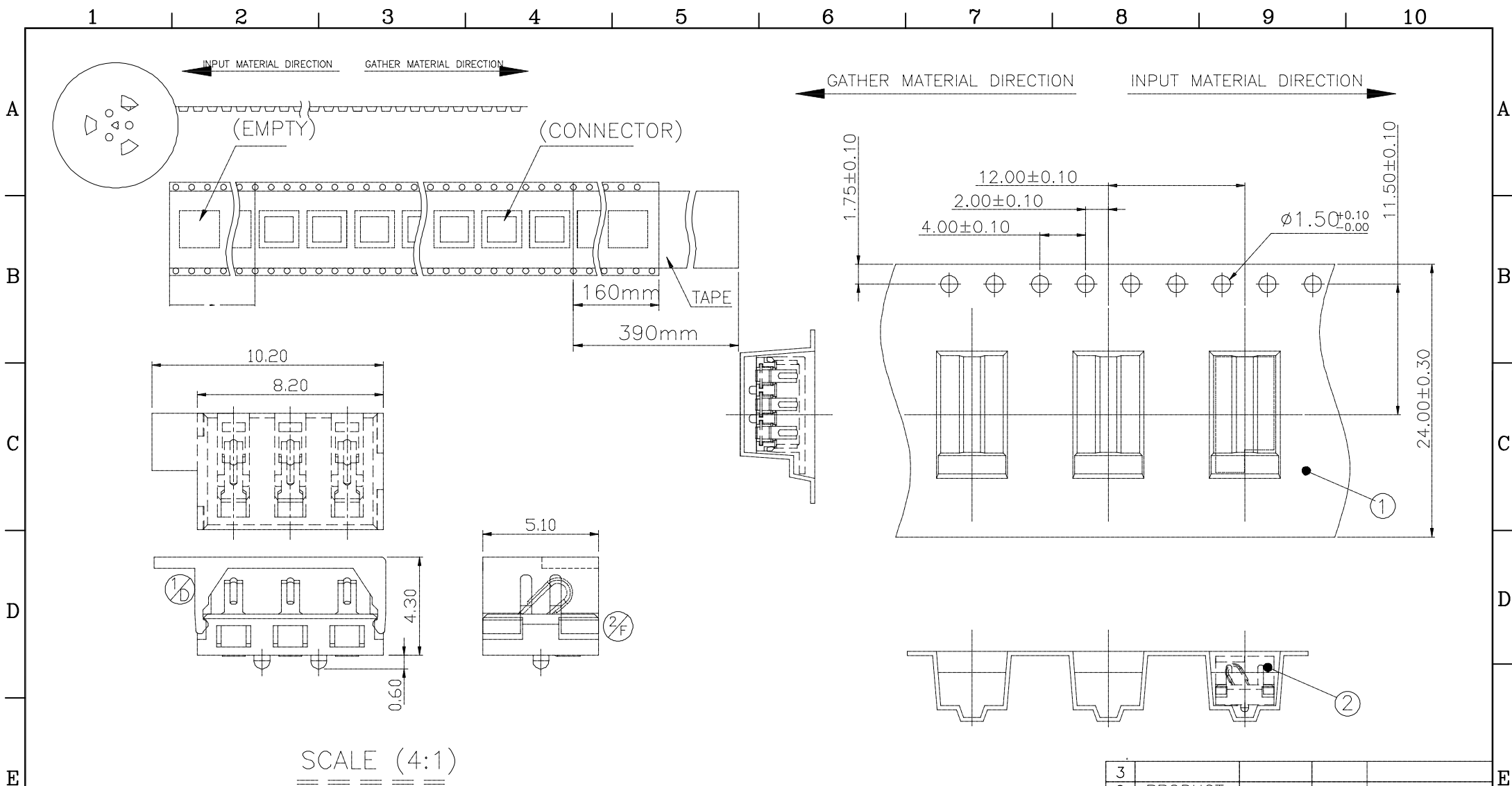
NOTE: ALL DIMENSIONS TOLERANCE ARE:
 1. ±0.25mm UNLESS OTHERWISE NOTED.
 2. COMPONENT LOAD BY 13" REEL.

PACKAGE INFORMATION

PART NO.		Q'TY PER REEL
RG250040-MA005XX00ZR		1000 PCS
A	RELEASE	06.24.2014
REV	DESCRIPTION	DATE

3				
2	PRODUCT			RG250040-MA005XX00ZR
1	REEL	PS	BLACK	IPR0377-005-00
	NO. DESCRIPTION	MATERIAL	COLOR	REMARK

PROPRIETARY NOTE: This document contains confidential information and proprietary to Rego Electronics and shall not be reproduced or disclosed to other documents or used for any purpose other than that for which was obtained without the expressed written consent of Rego Electronics.			
.X ± 0.30	APPROVED:	 http://www.rego.com.tw TITLE: Spring Type Battery Connector Vertical	
.XX ± 0.20	CHECKED:		
.XXX ± 0.15	DRAWN:		
X* ± 3'			
	UNITS:	SCALE:	PART NO: RG250040-MAxxxx00ZR
	mm	NONE	SHEET: 1 OF 1




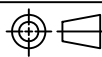
SCALE (4:1)

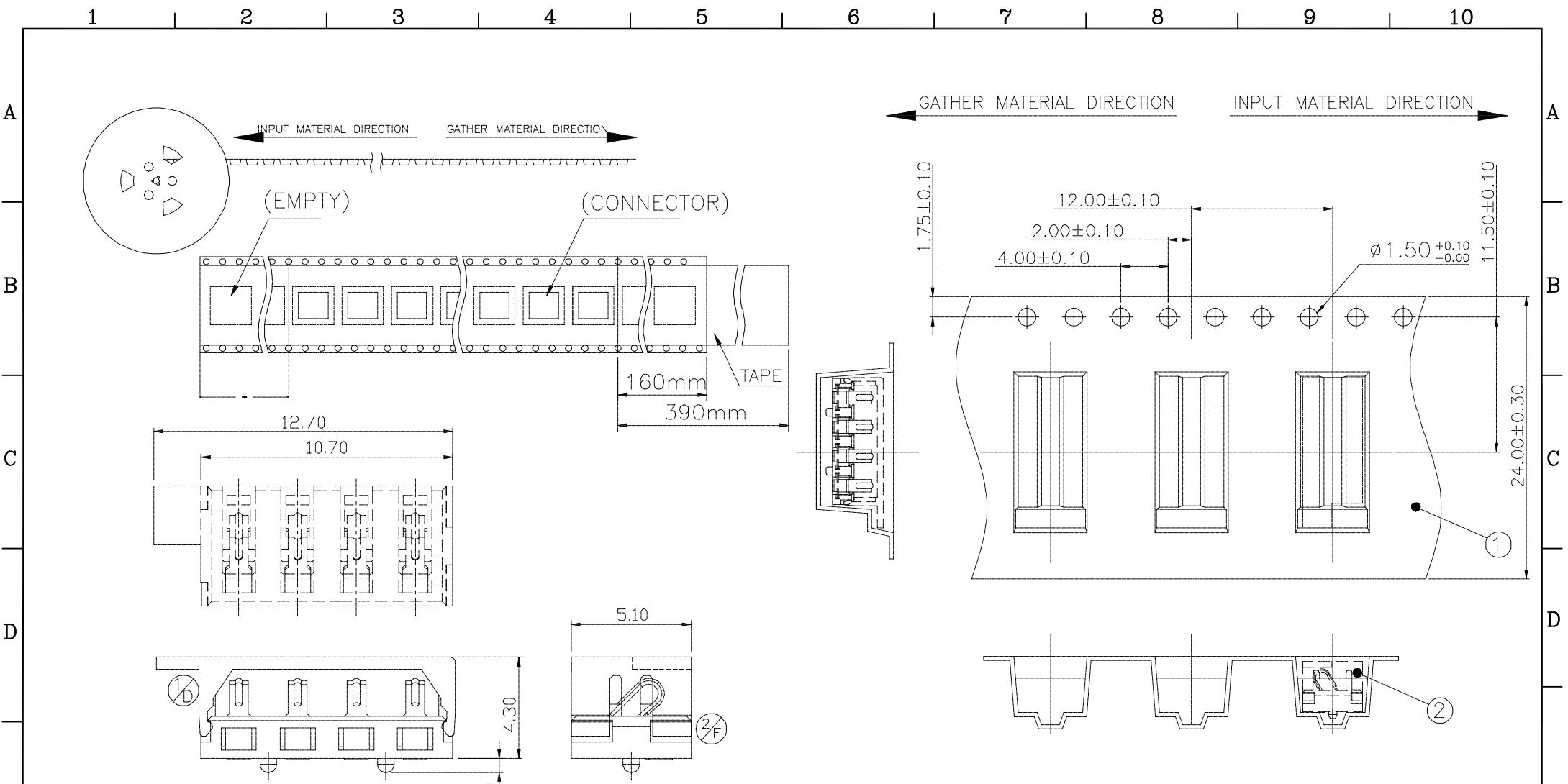
NOTE: ALL DIMENSIONS TOLERANCE ARE:
 1. ±0.25mm UNLESS OTHERWISE NOTED.
 2. COMPONENT LOAD BY 13" REEL.

PACKAGE INFORMATION

PART NO.		Q'TY PER REEL
RG250040-MA003XX00ZR		1000 PCS
A	RELEASE	06.24.2014
REV	DESCRIPTION	DATE

3				
2	PRODUCT			RG250040-MA003XX00ZR
1	REEL	PS	BLACK	IPR0377-003-00
NO.	DESCRIPTION	MATERIAL	COLOR	REMARK


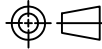
PROPRIETARY NOTE: This document contains confidential information and proprietary to Rego Electronics and shall not be reproduced or disclosed to other documents or used for any purpose other than that for which was obtained without the expressed written consent of Rego Electronics.			
.X ± 0.30	APPROVED:	 http://www.rego.com.tw	
.XX ± 0.20	CHECKED:		
.XXX ± 0.15	DRAWN:		
X* ± 3'		TITLE: Spring Type Battery Connector Vertical	
	UNITS:	SCALE:	PART NO: RG250040-MAxxxxx00ZR
	mm	NONE	SHEET: 1 OF 3



SCALE (4:1)
 =====

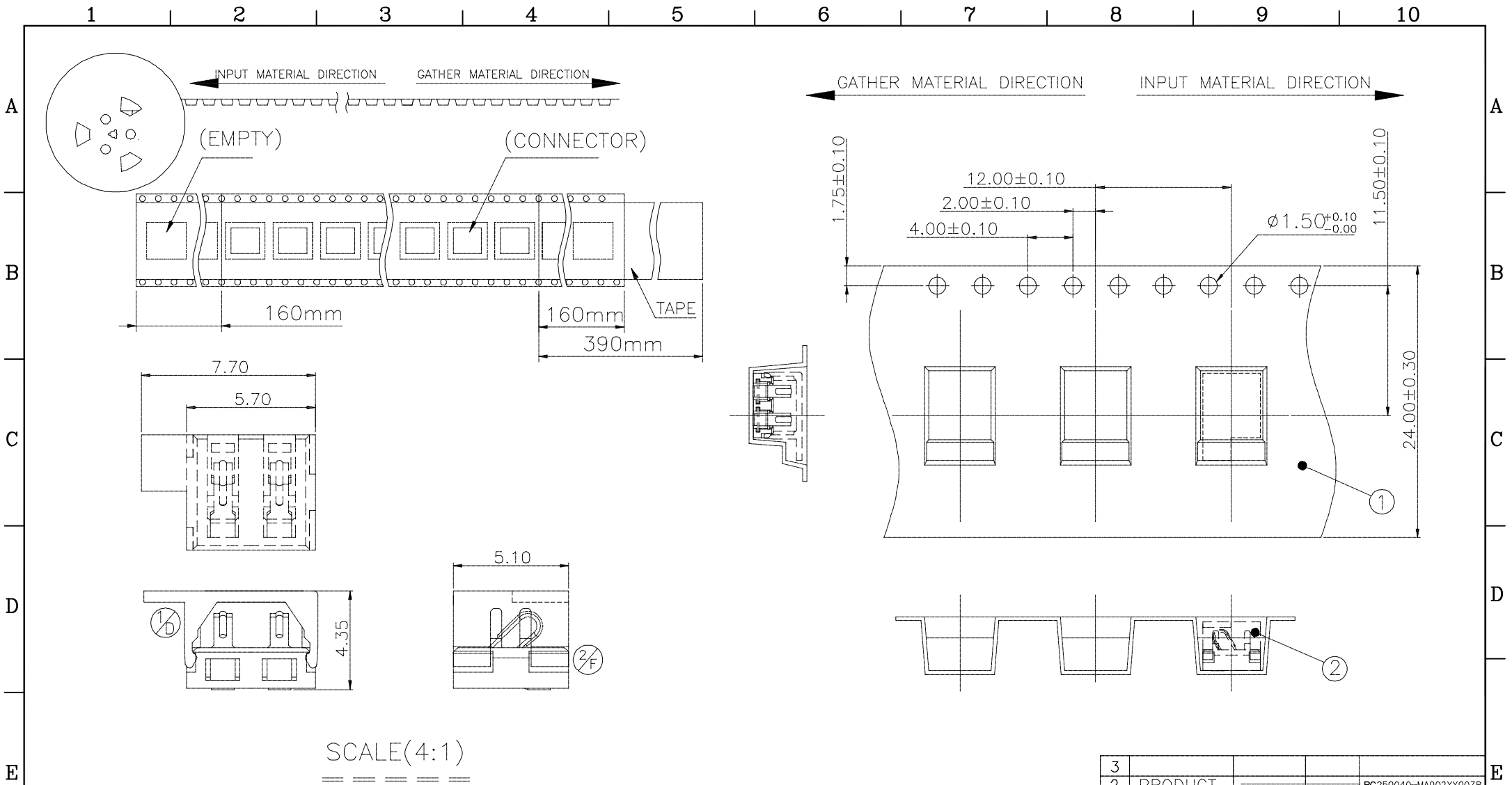
NOTE: ALL DIMENSIONS TOLERANCE ARE:
 1. $\pm 0.25\text{mm}$ UNLESS OTHERWISE NOTED.
 2. COMPONENT LOAD BY 13" REEL.

3				
2	PRODUCT			RG250040-MA004XX00ZR
1	REEL	PS	BLACK	IPR0377-004-00
	NO. DESCRIPTION	MATERIAL	COLOR	REMARK

PROPRIETARY NOTE: This document contains confidential information and proprietary to Rego Electronics and shall not be reproduced or disclosed to other documents or used for any purpose other than that for which was obtained without the expressed written consent of Rego Electronics.			
.X ± 0.30	APPROVED:	 http://www.rego.com.tw	TITLE: Spring Type Battery Connector Vertical
.XX ± 0.20	CHECKED:		
.XXX ± 0.15	DRAWN:		
X* $\pm 3'$			
	UNITS:	SCALE:	PART NO: RG250040-MAxxxx00ZR
	mm	NONE	SHEET: 1 OF 4

PACKAGE INFORMATION		
PART NO.	Q'TY PER REEL	
RG250040-MA004XX00ZR	1000 PCS	

A	RELEASE	06.24.2014
REV	DESCRIPTION	DATE



SCALE(4:1)
 =====

NOTE: All DIMENSIONS TOLERANCE ARE:
 1. ±0.25mm UNLESS OTHERWISE NOTED.
 2. COMPONENT LOAD BY 13" REEL.

PACKAGE INFORMATION


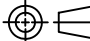
PART NO.	Q'TY PER REEL
RG250040-MA002XX00ZR	1200PCS

A	RELEASE	06.24.2014
REV	DESCRIPTION	DATE

3				
2	PRODUCT			RG250040-MA002XX00ZR
1	REEL	PS	BLACK	IPR0377-002-00
	NO. DESCRIPTION	MATERIAL	COLOR	REMARK

PROPRIETARY NOTE:

This document contains confidential information and proprietary to Rego Electronics and shall not be reproduced or disclosed to other documents or used for any purpose other than that for which was obtained without the expressed written consent of Rego Electronics.

.X ± 0.30	APPROVED: Chris	 http://www.rego.com.tw
.XX ± 0.20	CHECKED: Denny	
.XXX ± 0.15	DRAWN: Bryan	
X* ± 3'		
	UNITS: mm	SCALE: NONE
		PART NO: RG250040-MAxxxxx00ZR
		SHEET: 1 OF 5