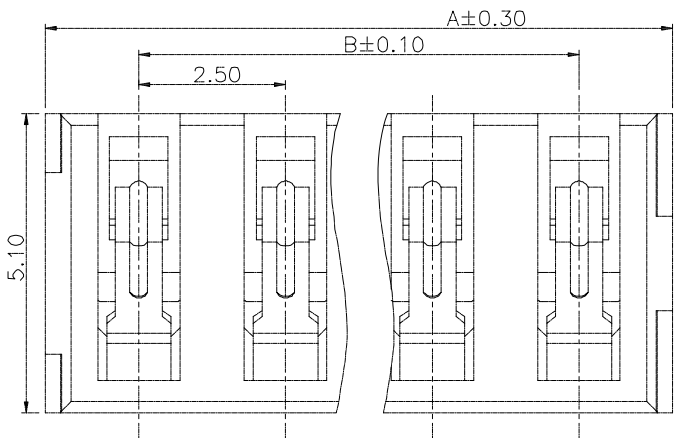


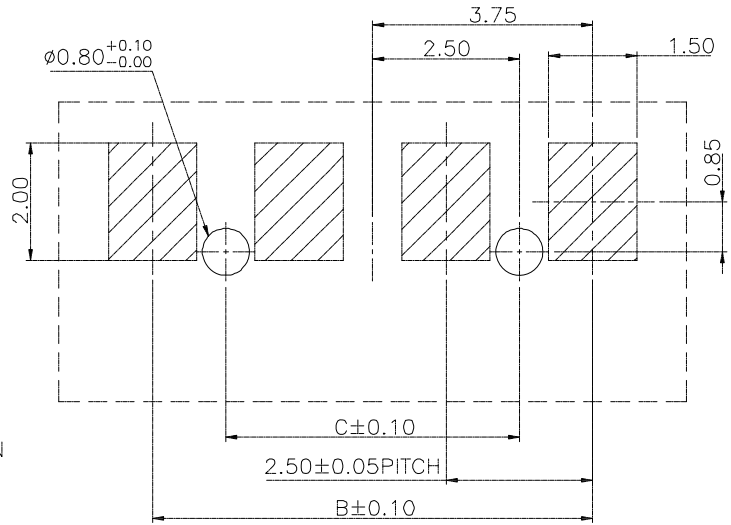
1 2 3 4 5 6 7 8 9 10

A
B
C
D
E
F

A
B
C
D
E
F



RECOMMENDED P.C.B. LAYOUT (COMPONENT SIDE)



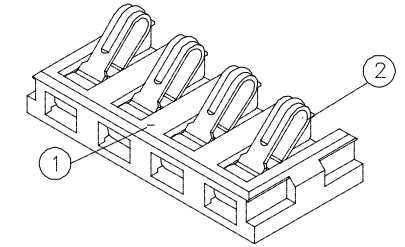
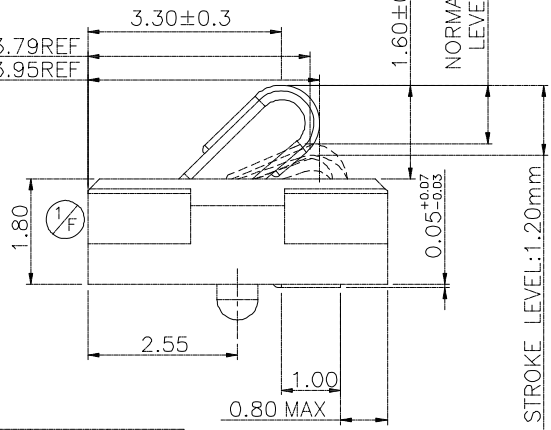
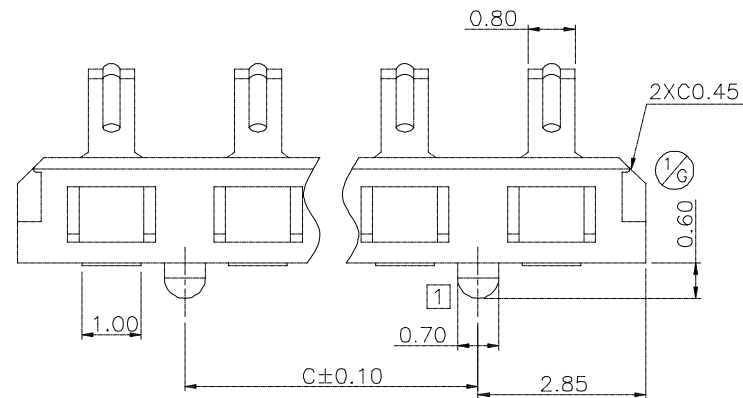
NOTE:
RG250040-MAXXXX00ZR
2 1

- 1. SELECTIVE PLATING.
- G1-05u" GOLD OVER NICKEL.
- G2- FLASH OVER NICKEL.
- G3-10u" GOLD OVER NICKEL.
- G4-15u" GOLD OVER NICKEL.
- G5-30u" GOLD OVER NICKEL.
- G6-50u" GOLD OVER NICKEL.

BF: GOLD FLASH OVER 30u" PDNI ON CONTACT AREA,
150-200u" MATT TIN ON SOLDER AREA,
OVER 50u" NICKEL UNDERPLATE.



NOTE:
*RG250040-MAXXXGX00ZR TWO PINS ITEM WITHOUT LOCATION
*RG250040-MAXXXGX00ZR 兩PIN 無定位柱
FORCE:
50g~200g PER PIN



| | | | | |
|-----|-------------|-------------------|-------|------------|
| 3 | | | | |
| 2 | TERMINAL | COPPER ALLOY | | GLD PLATED |
| 1 | HOUSING | HIGH TEMP PLASTIC | BLACK | UL94V-0 |
| NO. | DESCRIPTION | MATERIAL | COLOR | REMARK |

2. DIMENSION INFORMATION

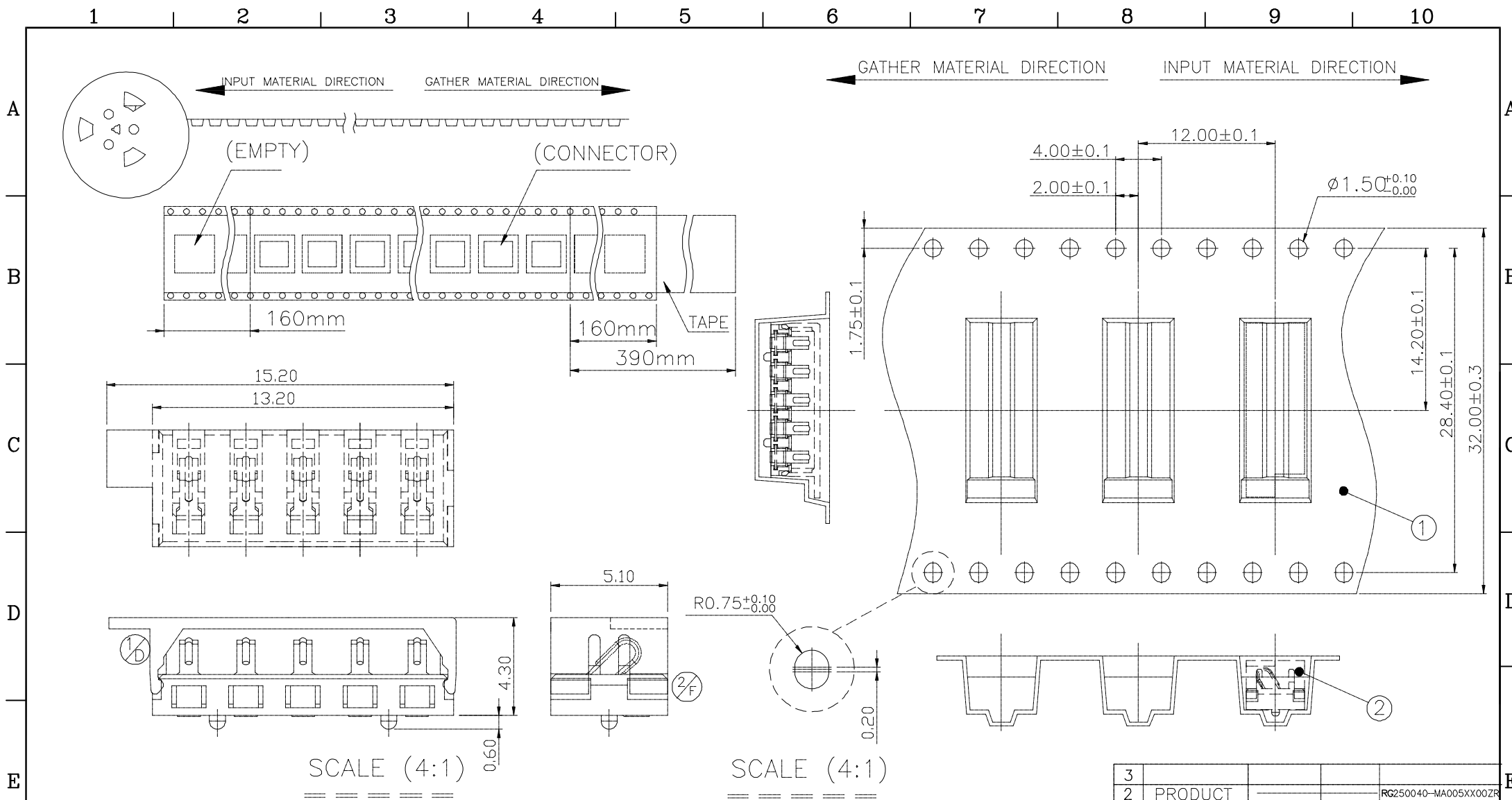
| P/NO. | DIM.A | DIM.B | DIM.C |
|----------------------|-------|-------|-------|
| RG250040-MA002XX00ZR | 5.70 | 2.50 | |
| RG250040-MA003XX00ZR | 8.20 | 5.00 | 2.50 |
| RG250040-MA004XX00ZR | 10.70 | 7.50 | 5.00 |
| RG250040-MA005XX00ZR | 13.20 | 10.00 | 7.50 |

PROPRIETARY NOTE:
This document contains confidential information and proprietary to Rego Electronics and shall not be reproduced or disclosed to other documents or used for any purpose other than that for which was obtained without the expressed written consent of Rego Electronics.

| | | | |
|-------------|-----------------|---|------------------------------|
| .X ± 0.30 | APPROVED: Chris | http://www.rego.com.tw | |
| .XX ± 0.20 | CHECKED: Denny | | |
| .XXX ± 0.15 | DRAWN: Bryan | | |
| X* ± 3' | | TITLE: Spring Type Battery Connector Vertical | |
| | UNITS: mm | SCALE: NONE | PART NO: RG250040-MAxxxx00ZR |
| | | | SHEET: 1 of 1 |

| | | |
|-----|-------------|------------|
| A | RELEASE | 06.24.2014 |
| REV | DESCRIPTION | DATE |

1 2 3 4 5 6 7 8 9 10



SCALE (4:1)


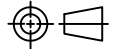
SCALE (4:1)

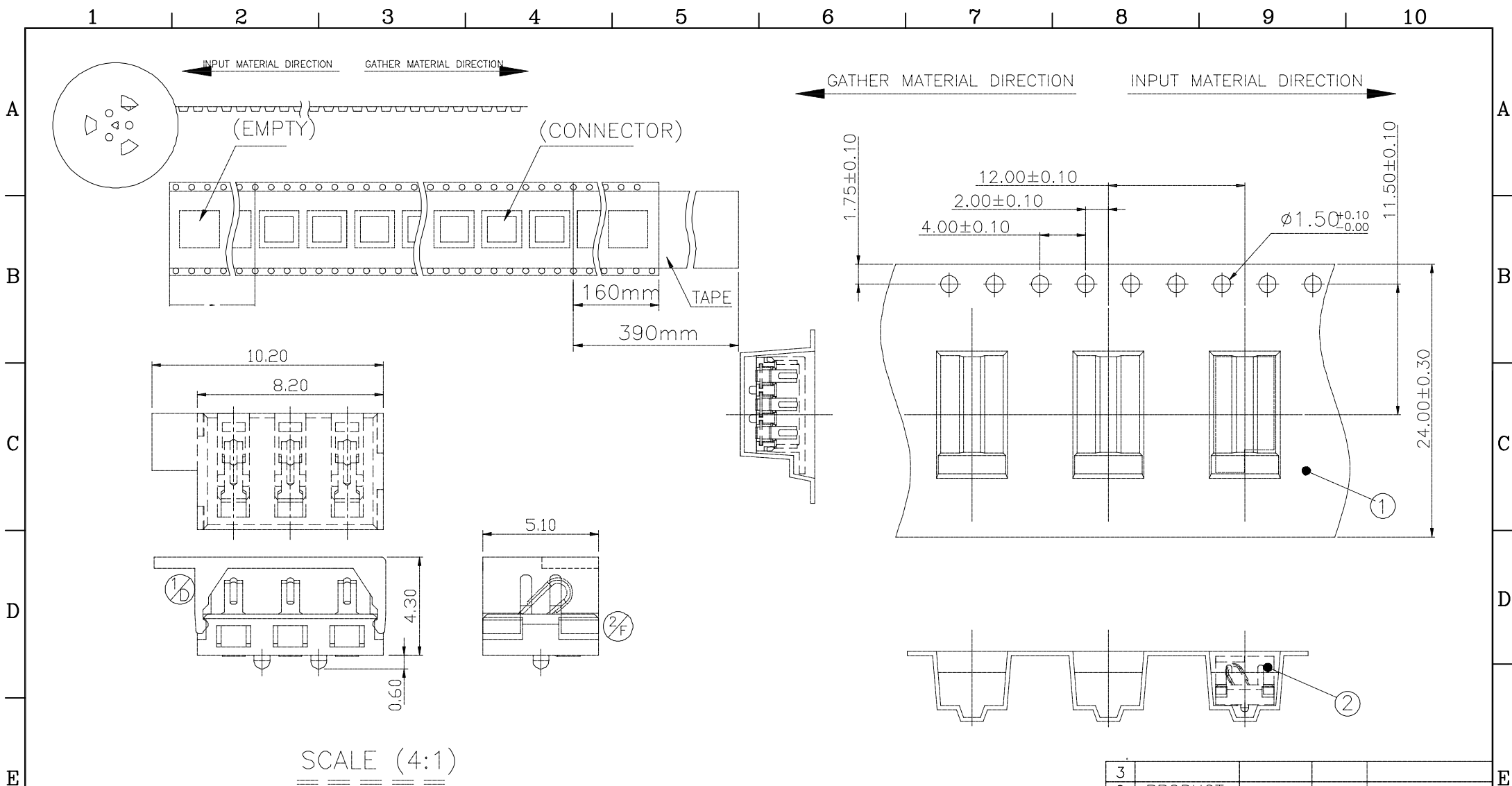
NOTE: All DIMENSIONS TOLERANCE ARE:
 1. ±0.25mm UNLESS OTHERWISE NOTED.
 2. COMPONENT LOAD BY 13" REEL.

PACKAGE INFORMATION

| | | |
|----------------------|-------------|---------------|
| PART NO. | | Q'TY PER REEL |
| RG250040-MA005XX00ZR | | 1000 PCS |
| A | RELEASE | 06.24.2014 |
| REV | DESCRIPTION | DATE |

| | | | | |
|---|-----------------|----------|-------|----------------------|
| 3 | | | | |
| 2 | PRODUCT | | | RG250040-MA005XX00ZR |
| 1 | REEL | PS | BLACK | IPR0377-005-00 |
| | NO. DESCRIPTION | MATERIAL | COLOR | REMARK |

| | | | |
|--|----------------|---|------------------------------|
| PROPRIETARY NOTE: This document contains confidential information and proprietary to Rego Electronics and shall not be reproduced or disclosed to other documents or used for any purpose other than that for which was obtained without the expressed written consent of Rego Electronics. | | | |
| .X ± 0.30 | APPROVED: |  http://www.rego.com.tw TITLE: Spring Type Battery Connector Vertical | |
| .XX ± 0.20 | CHECKED: Denny | | |
| .XXX ± 0.15 | DRAWN: Bryan | | |
| X* ± 3' | | | |
|  | UNITS: mm | SCALE: NONE | PART NO: RG250040-MAxxxx00ZR |
| | | | SHEET: 1 OF 1 |



SCALE (4:1)


NOTE: ALL DIMENSIONS TOLERANCE ARE:
 1. ±0.25mm UNLESS OTHERWISE NOTED.
 2. COMPONENT LOAD BY 13" REEL.

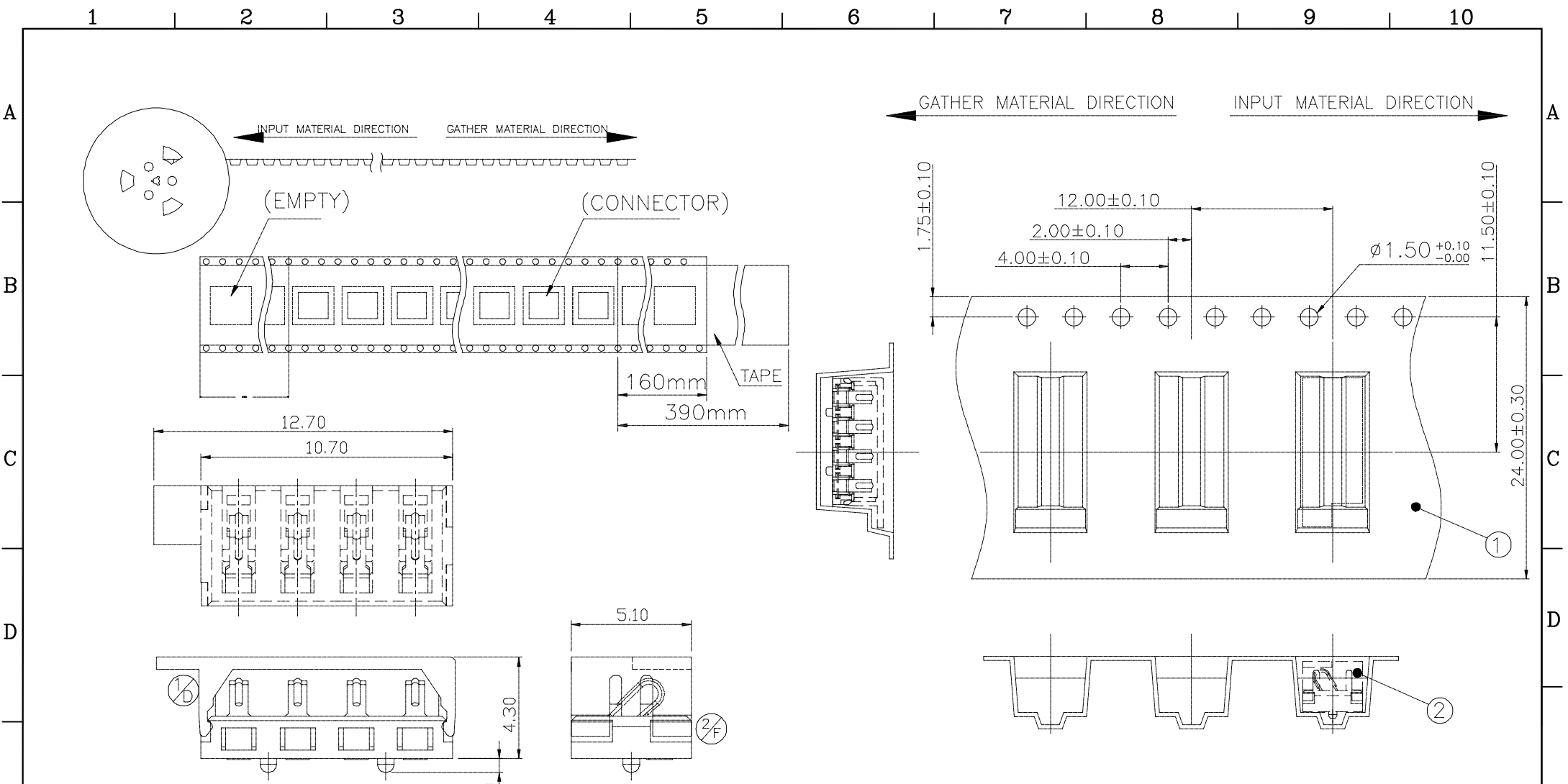
PACKAGE INFORMATION

| | | |
|----------------------|-------------|---------------|
| PART NO. | | Q'TY PER REEL |
| RG250040-MA003XX00ZR | | 1000 PCS |
| A | RELEASE | 06.24.2014 |
| REV | DESCRIPTION | DATE |

| | | | | |
|-----|-------------|----------|-------|----------------------|
| 3 | | | | |
| 2 | PRODUCT | | | RG250040-MA003XX00ZR |
| 1 | REEL | PS | BLACK | IPR0377-003-00 |
| NO. | DESCRIPTION | MATERIAL | COLOR | REMARK |

PROPRIETARY NOTE:
 This document contains confidential information and proprietary to Rego Electronics and shall not be reproduced or disclosed to other documents or used for any purpose other than that for which was obtained without the expressed written consent of Rego Electronics.


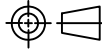
| | | |
|---|----------------|--|
| .X ± 0.30 | APPROVED: |  http://www.rego.com.tw |
| .XX ± 0.20 | CHECKED: Chris | |
| .XXX ± 0.15 | DENNY | |
| X* ± 3' | BRYAN | |
| TITLE: Spring Type Battery Connector Vertical | | |
| UNITS: mm | SCALE: NONE | PART NO: RG250040-MAxxxxx00ZR |
| SHEET: 1 OF 3 | | |



SCALE (4:1)

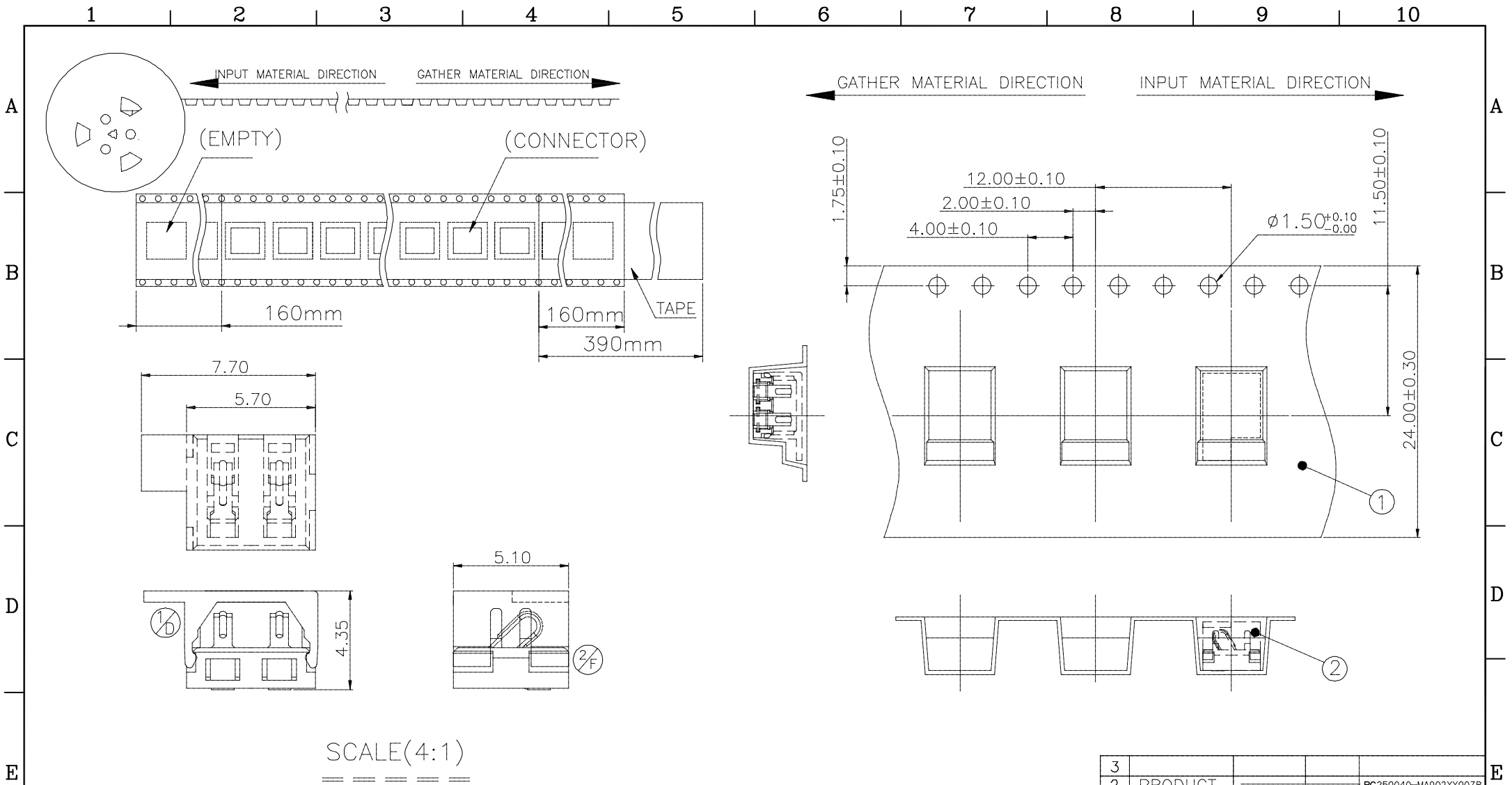
NOTE: ALL DIMENSIONS TOLERANCE ARE:
 1. ±0.25mm UNLESS OTHERWISE NOTED.
 2. COMPONENT LOAD BY 13" REEL.

| | | | | |
|---|-----------------|----------|-------|----------------------|
| 3 | | | | |
| 2 | PRODUCT | | | RG250040-MA004XX00ZR |
| 1 | REEL | PS | BLACK | IPR0377-004-00 |
| | NO. DESCRIPTION | MATERIAL | COLOR | REMARK |

| | | | |
|---|-----------|--|---|
| PROPRIETARY NOTE: This document contains confidential information and proprietary to Rego Electronics and shall not be reproduced or disclosed to other documents or used for any purpose other than that for which was obtained without the expressed written consent of Rego Electronics. | | | |
| .X ± 0.30 | APPROVED: |  http://www.rego.com.tw | TITLE: Spring Type Battery Connector Vertical |
| .XX ± 0.20 | CHECKED: | | |
| .XXX ± 0.15 | DRAWN: | | |
| X* ± 3' | | | |
|  | UNITS: | SCALE: | PART NO: RG250040-MAxxxx00ZR |
| | mm | NONE | SHEET: 1 OF 4 |

| | | |
|----------------------|---------------|--|
| PACKAGE INFORMATION | | |
| PART NO. | Q'TY PER REEL | |
| RG250040-MA004XX00ZR | 1000 PCS | |

| | | |
|-----|-------------|------------|
| A | RELEASE | 06.24.2014 |
| REV | DESCRIPTION | DATE |



SCALE(4:1)
 =====

NOTE: All DIMENSIONS TOLERANCE ARE:
 1. $\pm 0.25\text{mm}$ UNLESS OTHERWISE NOTED.
 2. COMPONENT LOAD BY 13" REEL.

PACKAGE INFORMATION


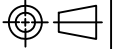
| | |
|----------------------|---------------|
| PART NO. | Q'TY PER REEL |
| RG250040-MA002XX00ZR | 1200 PCS |

| | | |
|-----|-------------|------------|
| A | RELEASE | 06.24.2014 |
| REV | DESCRIPTION | DATE |

| | | | | |
|---|-----------------|----------|-------|----------------------|
| 3 | | | | |
| 2 | PRODUCT | | | RG250040-MA002XX00ZR |
| 1 | REEL | PS | BLACK | IPR0377-002-00 |
| | NO. DESCRIPTION | MATERIAL | COLOR | REMARK |

PROPRIETARY NOTE:

This document contains confidential information and proprietary to Rego Electronics and shall not be reproduced or disclosed to other documents or used for any purpose other than that for which was obtained without the expressed written consent of Rego Electronics.

| | | | |
|---|-----------------|---|-------------------------------|
| .X ± 0.30 | APPROVED: Chris |  http://www.rego.com.tw TITLE: Spring Type Battery Connector Vertical | |
| .XX ± 0.20 | CHECKED: Denny | | |
| .XXX ± 0.15 | DRAWN: Bryan | | |
| X* $\pm 3'$ | | | |
|  | UNITS: mm | SCALE: NONE | PART NO: RG250040-MAxxxxx00ZR |
| | | | SHEET: 1 OF 5 |