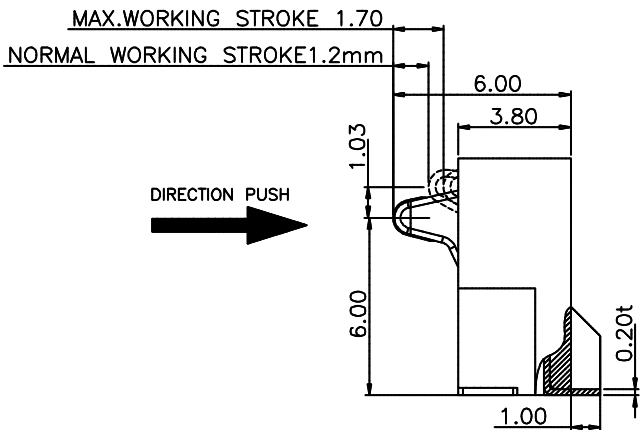
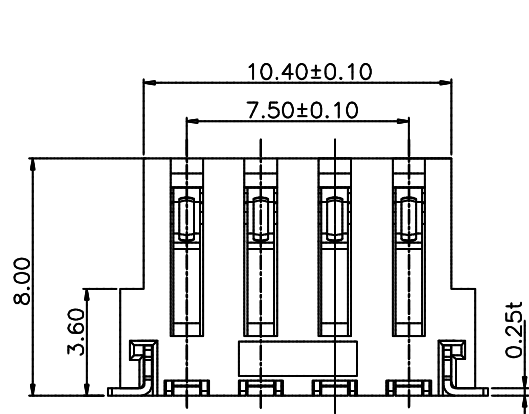
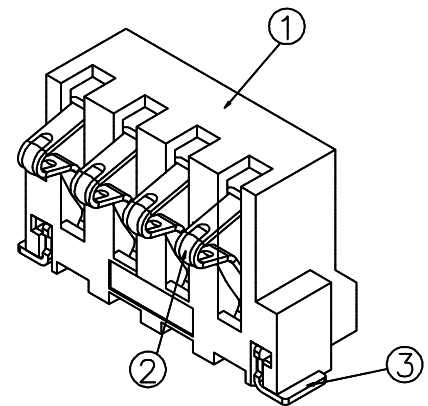
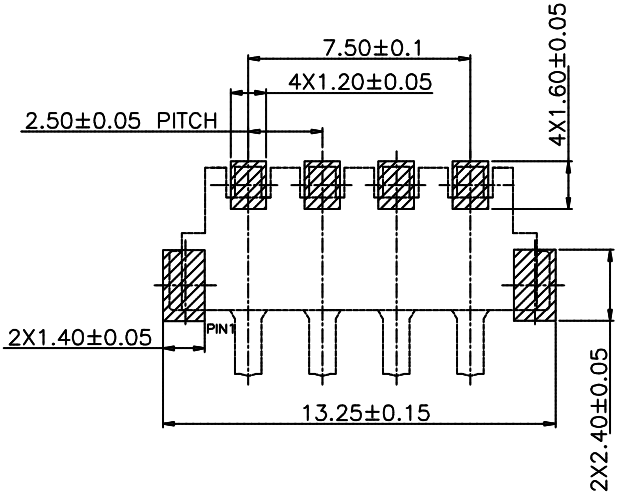
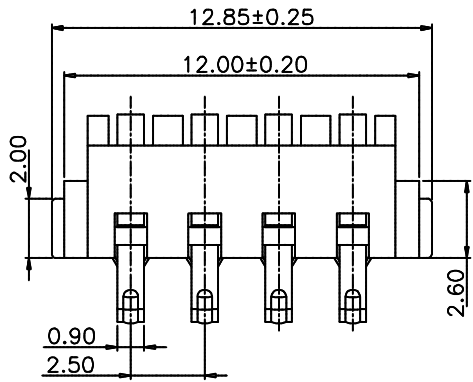


RECOMMENDED P.C.B. LAYOUT (COMPONENT SIDE)
 P.C.B THICKNESS = 0.8mm (TOLERANCE=±0.05)

NOTE:
 1. PUSH FORCE: PER PIN 110±10g MIN.
 2. RATED CURRENT 2.0 AMPERE (MIN)
 3. CONTACT RESISTANCE $\leq 20\Omega$ m




NOTE:
 RG250042-MB004_xx 11ZR

1. PLATING
 'G1,-05u" GOLD OVER NICKEL.
 'G2-GOLD FLASH OVER 30 u"MIN. NICKEL.
 'G3,-10u" GOLD OVER NICKEL.
 'G4,-15u" GOLD OVER NICKEL.
 'G5,-30u" GOLD OVER NICKEL.

3	LATCH	PHO.BRONZE	—	TIN PLATED
2	TERMINAL	C1720-H	—	SELECTIVE GOLD
1	PLASTIC	HIGH TEMP.PLASTIC	BLACK	UL 94V-0
NO DESCRIPTION MATERIAL COLOR REMARK				

PROPRIETARY NOTE:
 This document contains confidential information and proprietary to Rego Electronics and shall not be reproduced or disclosed to other documents or used for any purpose other than that for which was obtained without the expressed written consent of Rego Electronics.

.X ± 0.30	APPROVED:	 http://www.rego.com.tw
.XX ± 0.20	CHECKED:	
.XXX ± 0.15	DRAWN:	
X* ± 3'		
UNITS: mm	SCALE: NONE	TITLE: 2.50 PITCH SPRING BATTERY CONNECTOR
		PART NO: RG250042-MB004xx11ZR
		SHEET: 1 OF 2

A	RELEASE	04.22.2008
REV	DESCRIPTION	DATE

1 2 3 4 5 6 7 8 9 10

A

B

C

D

E

F

A

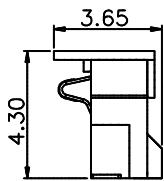
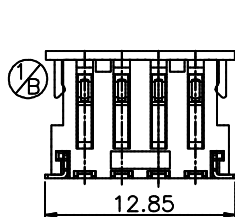
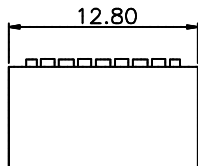
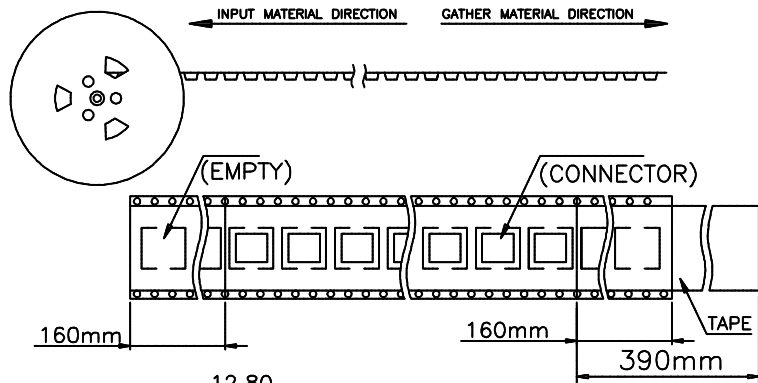
B

C

D

E

F



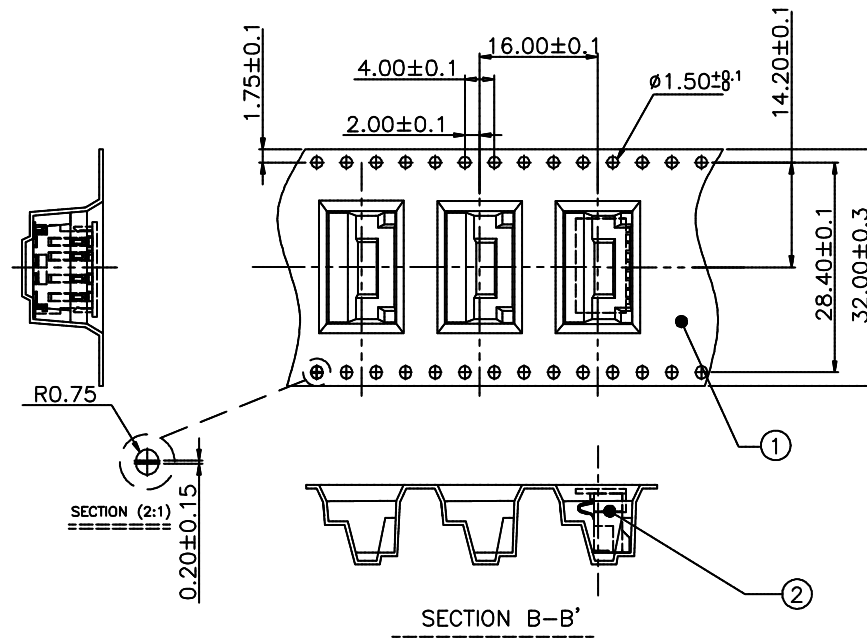
SECTION 2:1

PACKAGRE. INFORMATION

PART NUMBER	Q'TY PER REEL
RG250042-MB004xx11ZR	400PCS

NOTE: ALL DIMENSIONS TOLERANCE ARE:
 1. $\pm 0.25\text{mm}$ UNLESS OTHERWISE NOTED.
 2. COMPONENT LOAD 10" REEL.


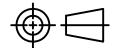
GATHER MATERIAL DIRECTION INPUT MATERIAL DIRECTION



3				
2	PRODUCT			RG250042-MB004xx11ZR
1	REEL	PS	BLACK	IPR0383-004-11
	NO. DESCRIPTION	MATERIAL	COLOR	REMARK

PROPRIETARY NOTE:

This document contains confidential information and proprietary to Rego Electronics and shall not be reproduced or disclosed to other documents or used for any purpose other than that for which was obtained without the expressed written consent of Rego Electronics.

.X ± 0.30	APPROVED:	 http://www.rego.com.tw
.XX ± 0.20	CHECKED: Chris	
.XXX ± 0.15	DENNY	
X* $\pm 3'$	DRAWN: Bryan	
	UNITS: mm	SCALE: NONE
TITLE: 2.50 PITCH SPRING BATTERY CONNECTOR		PART NO: RG250042-MB004xx11ZR
SHEET: 2 OF 2		

A	RELEASE	04.22.2008
REV	DESCRIPTION	DATE

1 2 3 4 5 6 7 8 9 10