

1 2 3 4 5 6 7 8 9 10

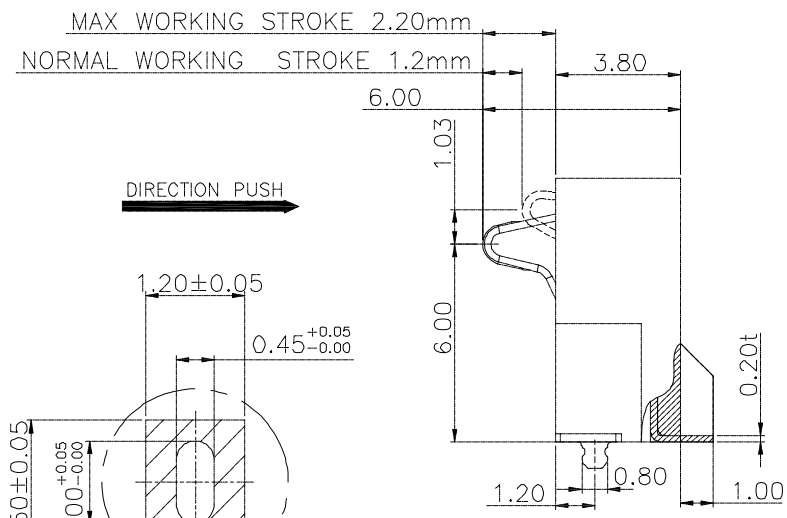
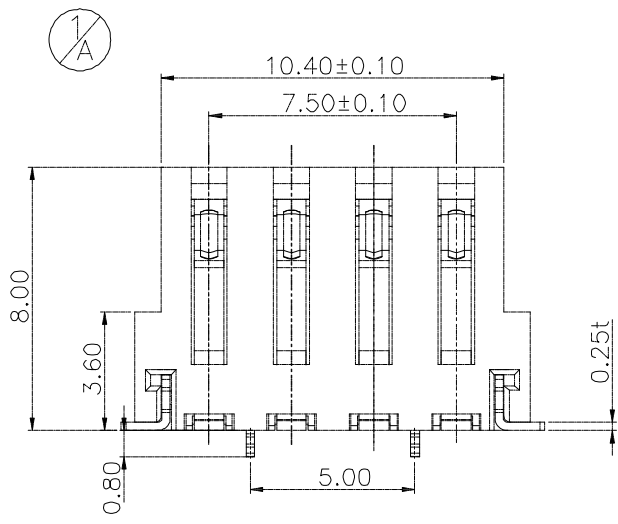
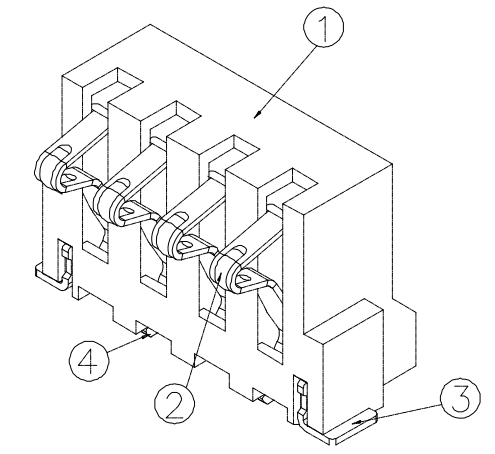
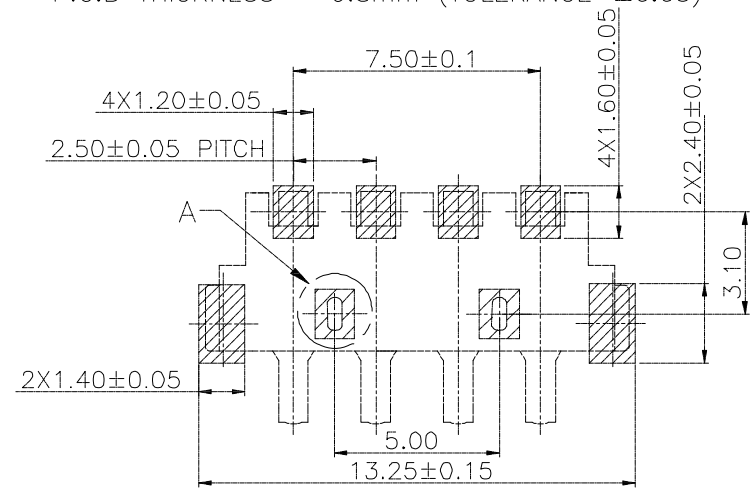
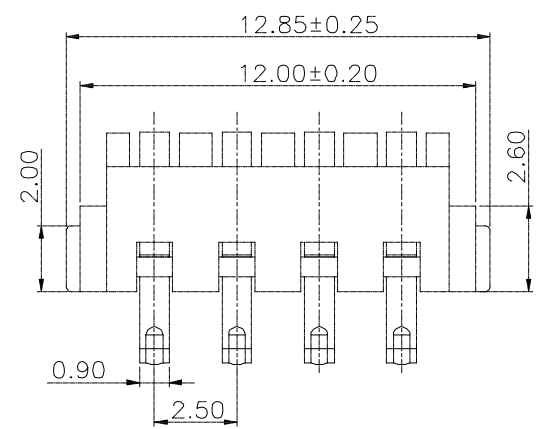
A
B
C
D
E
F

A
B
C
D
E
F

NOTE:
 1. PUSH FORCE 51g MIN. ~140g MAX. PER PIN
 2. RATED CURRENT 2.0 AMPERE (MIN)
 3. CONTACT RESISTANCE $\leq 40 \text{ m}\Omega$

NOTE:
 RG250042-MB004G □ 23ZR
 1. PLATING
 'G1, -05u" GOLD OVER NICKEL.
 'G2, -GOLD FLASH OVER NICKEL.
 'G3, -10u" GOLD OVER NICKEL.
 'G4, -15u" GOLD OVER NICKEL.
 'G5, -30u" GOLD OVER NICKEL.


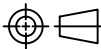
RECOMMENDED P.C.B. LAYOUT (COMPONENT SIDE)
 P.C.B THICKNESS = 0.8mm (TOLERANCE ± 0.05)



DETAIL A (10:1)

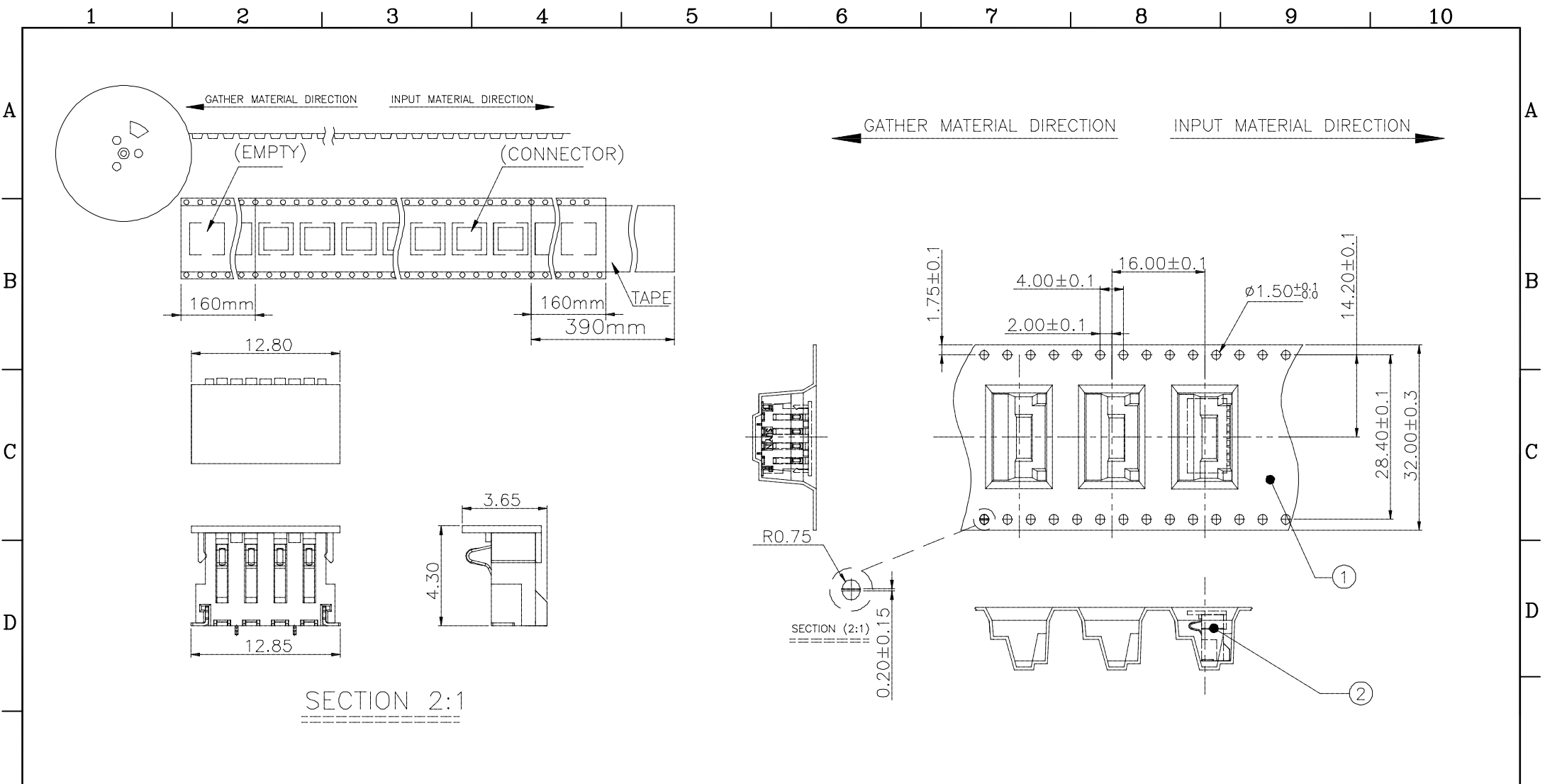
4	FORK	METAL	---	TIN PLATED
3	FORK	COPPER ALLOY	---	TIN PLATED
2	TERMINAL	COPPER ALLOY	---	SELECTIVE GOLD
1	PLASTIC	HIGH TEMP. PLASTIC	BLACK	UL 94V-0
NO. DESCRIPTION		MATERIAL	COLOR	REMARK

PROPRIETARY NOTE:
 This document contains confidential information and proprietary to Rego Electronics and shall not be reproduced or disclosed to other documents or used for any purpose other than that for which was obtained without the expressed written consent of Rego Electronics.

.X ± 0.30	APPROVED: Chris	 http://www.rego.com.tw TITLE: Spring Type Battery Connector 4 Positions Right Angle
.XX ± 0.20	CHECKED: Denny	
.XXX ± 0.15	DRAWN: Bryan	
X° $\pm 3'$		
 UNITS: mm	SCALE: NONE	PART NO: RG250042-MB004Gx23ZR SHEET: 1 OF 1

A	RELEASE DESCRIPTION	06.24.2014
REV	DESCRIPTION	DATE

1 2 3 4 5 6 7 8 9 10



SECTION 2:1

NOTE: ALL DIMENSIONS TOLERANCE ARE:
 1. ±0.25mm UNLESS OTHERWISE NOTED.
 2. COMPONENT LOAD BY 10" REEL


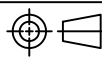
PACKAGE INFORMATION

PART NUMBER	QTY PER REEL
RG250042-MB004GX23ZR	400 pcs

A	RELEASE	06.24.2014
REV	DESCRIPTION	DATE

2	PRODUCT			RG250042-MB004GX23ZR
1	REEL	PS	BLACK	IPRO383-004-11
NQ	DESCRIPTION	MATERIAL	COLOR	REMARK

PROPRIETARY NOTE:
 This document contains confidential information and proprietary to Rego Electronics and shall not be reproduced or disclosed to other documents or used for any purpose other than that for which was obtained without the expressed written consent of Rego Electronics.

.X ± 0.30	APPROVED:	 http://www.rego.com.tw
.XX ± 0.20	CHECKED:	
.XXX ± 0.15	DRAWN:	
X* ± 3'		
	UNITS:	SCALE:
	mm	NONE
PART NO: RG250042-MB004GX23ZR		TITLE: Spring Type Battery Connector 4 Positions Right Angle
SHEET: 1 OF 2		