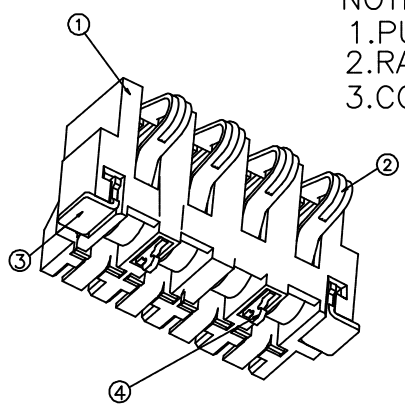
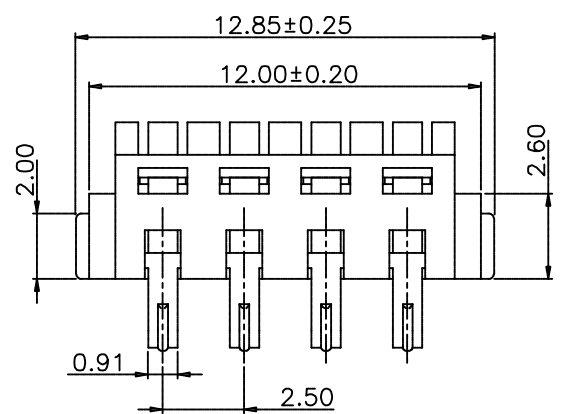


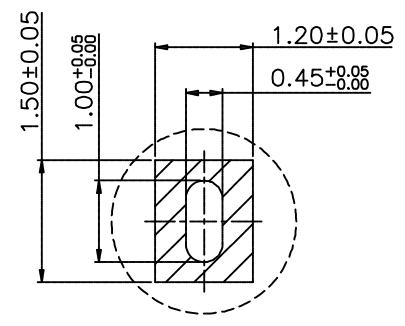
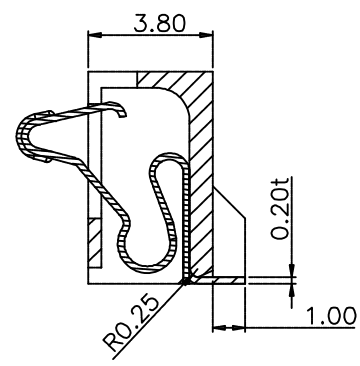
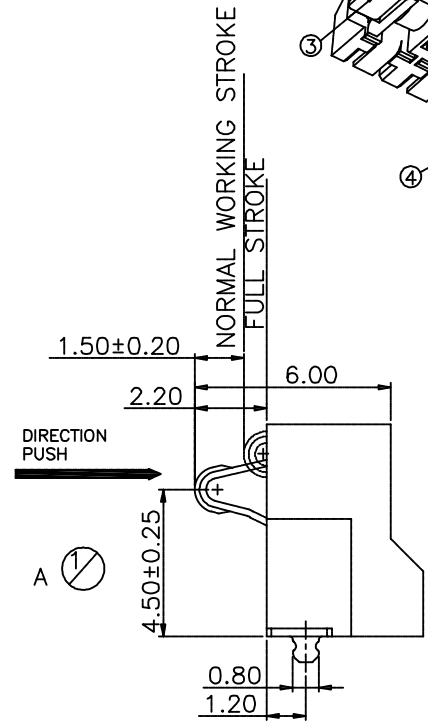
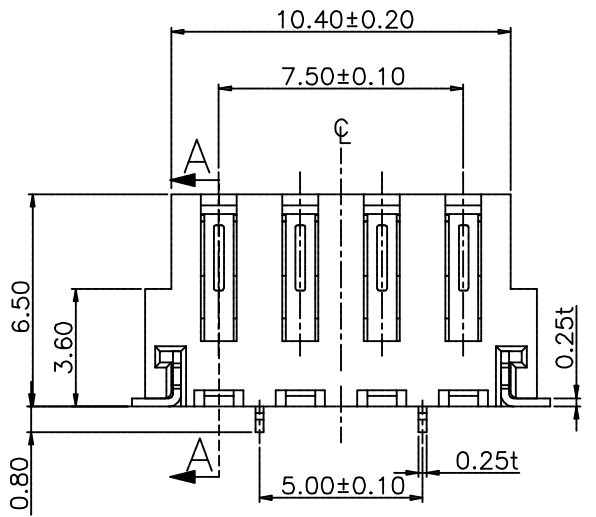
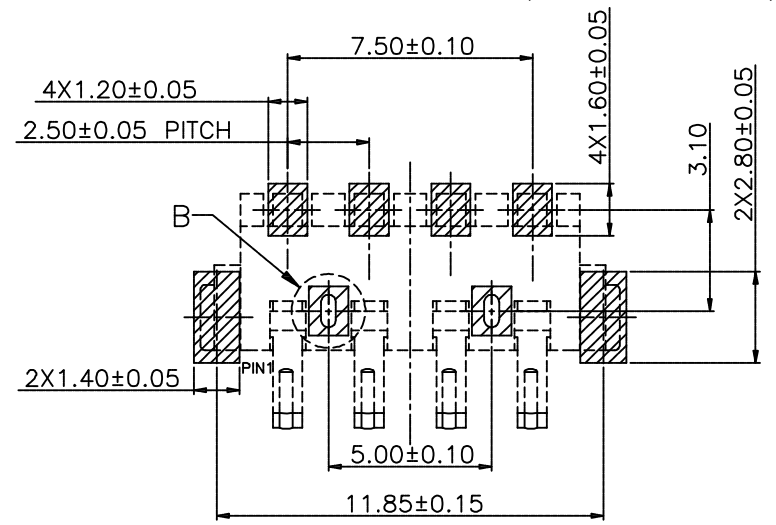
1 2 3 4 5 6 7 8 9 10

A
B
C
D
E
F




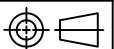
NOTE:
 1.PUSH FORCE 51g MIN. ~140g MAX.PER PIN
 2.RATED CURRENT 2.0 AMPERE(MIN)
 3.CONTACT RESISTANCE $\leq 20 \text{ m}\Omega$

RECOMMENDED P.C.B. LAYOUT (COMPONENT SIDE)
 P.C.B THICKNESS = 0.8mm (TOLERANCE= ± 0.05)



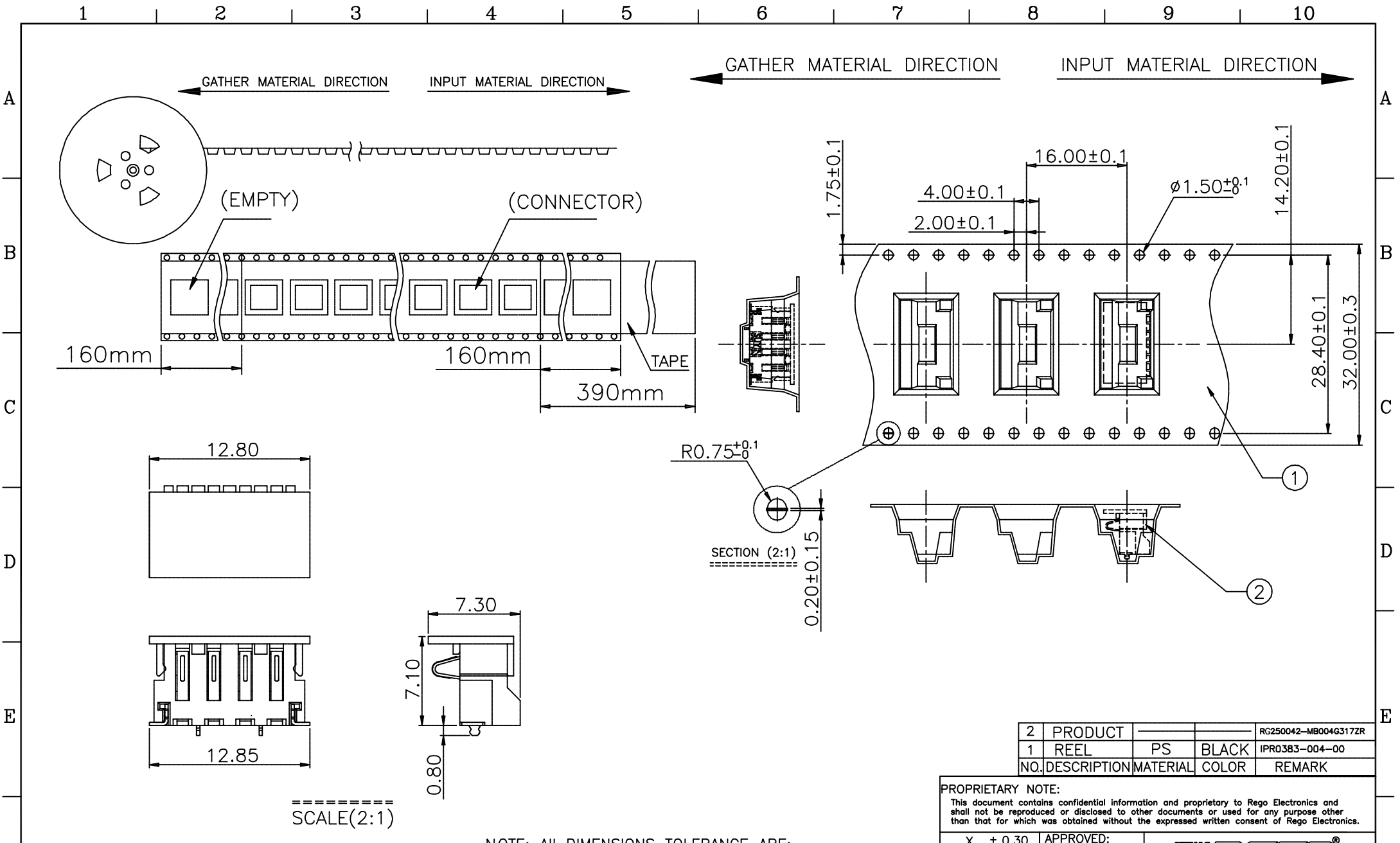
4	FORK	METAL	TIN PLATED	
3	LATCH	COPPER ALLOY	TIN PLATED	
2	TERMINAL	COPPER ALLOY	GOLD PLATED OVER NI	
1	HOUSING	HIGH TEMP.PLASTIC	BLACK UL94V-0	
NO.	DESCRIPTION	MATERIAL	COLOR	REMARK

PROPRIETARY NOTE:
 This document contains confidential information and proprietary to Rego Electronics and shall not be reproduced or disclosed to other documents or used for any purpose other than that for which was obtained without the expressed written consent of Rego Electronics.

.X ± 0.30	APPROVED: Chris	 http://www.rego.com.tw
.XX ± 0.20	CHECKED: Denny	
.XXX ± 0.15	DRAWN: Bryan	
X* $\pm 3'$		
	UNITS: mm	SCALE: NONE
TITLE: Spring Type Battery Connector 4 Positions Right Angle		PART NO: RG250042-MB004G317ZR
SHEET: 1 OF 1		

A	RELEASE	06.24.2014
REV	DESCRIPTION	DATE

1 2 3 4 5 6 7 8 9 10





SCALE(2:1)

NOTE: All DIMENSIONS TOLERANCE ARE:
 1. ±0.25mm UNLESS OTHERWISE NOTED.
 2. COMPONENT LOOD BY 13" REEL.

PARI NUMBER		Q'TY PER REEL
RG250042-MB004G317ZR		450pcs
A	RELEASE	06.24.2014
REV	DESCRIPTION	DATE

2	PRODUCT			RG250042-MB004G317ZR
1	REEL	PS	BLACK	IPR0383-004-00
NO.	DESCRIPTION	MATERIAL	COLOR	REMARK

PROPRIETARY NOTE: This document contains confidential information and proprietary to Rego Electronics and shall not be reproduced or disclosed to other documents or used for any purpose other than that for which was obtained without the expressed written consent of Rego Electronics.				
.X ± 0.30	APPROVED:	Chris	 http://www.rego.com.tw TITLE: Spring Type Battery Connector 4 Positions Right Angle PART NO: RG250042-MB004G317ZR SHEET: 1 of 2	
.XX ± 0.20	CHECKED:	Denny		
.XXX ± 0.15	DRAWN:	Bryan		
X* ± 3'				
	UNITS:	mm	SCALE:	NONE