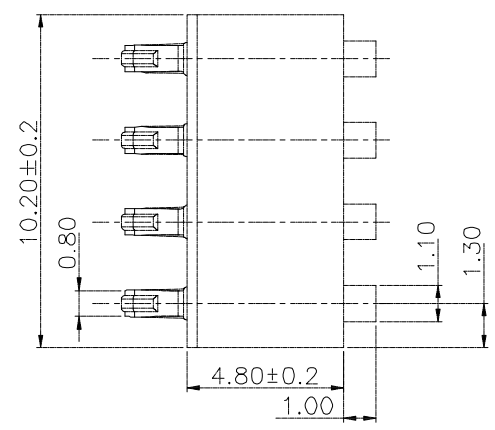
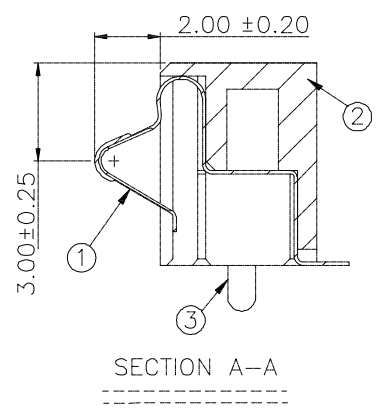
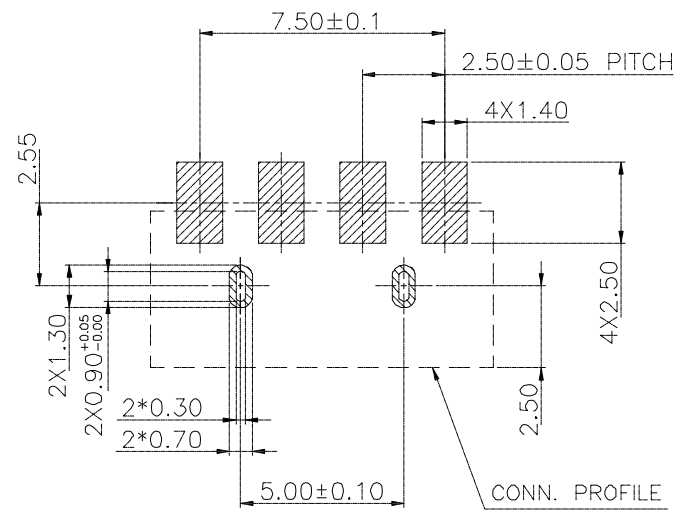


1 2 3 4 5 6 7 8 9 10

A

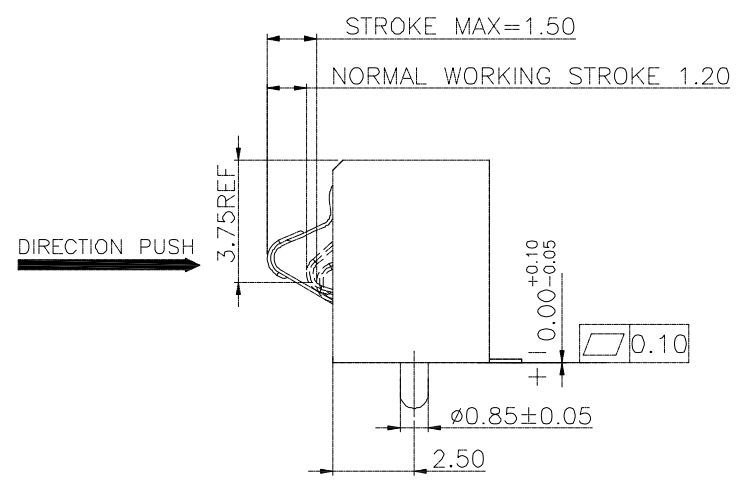
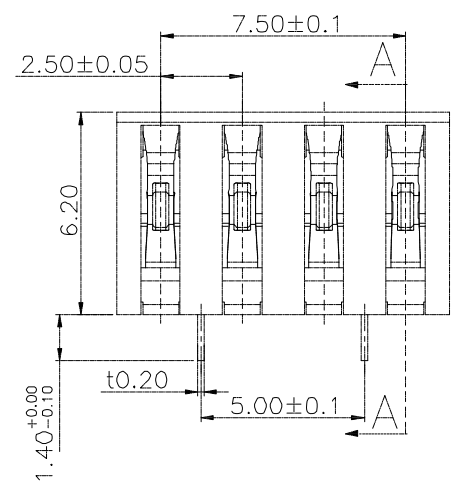


RECOMMENDED P.C.B. LAYOUT (COMPONENT SIDE)  
P.C.B THICKNESS = 0.8mm (TOLERANCE=±0.05)



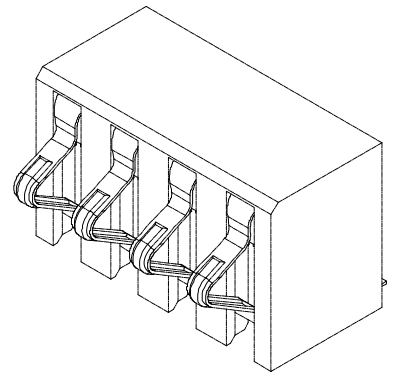
B

C


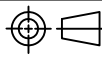


D

E



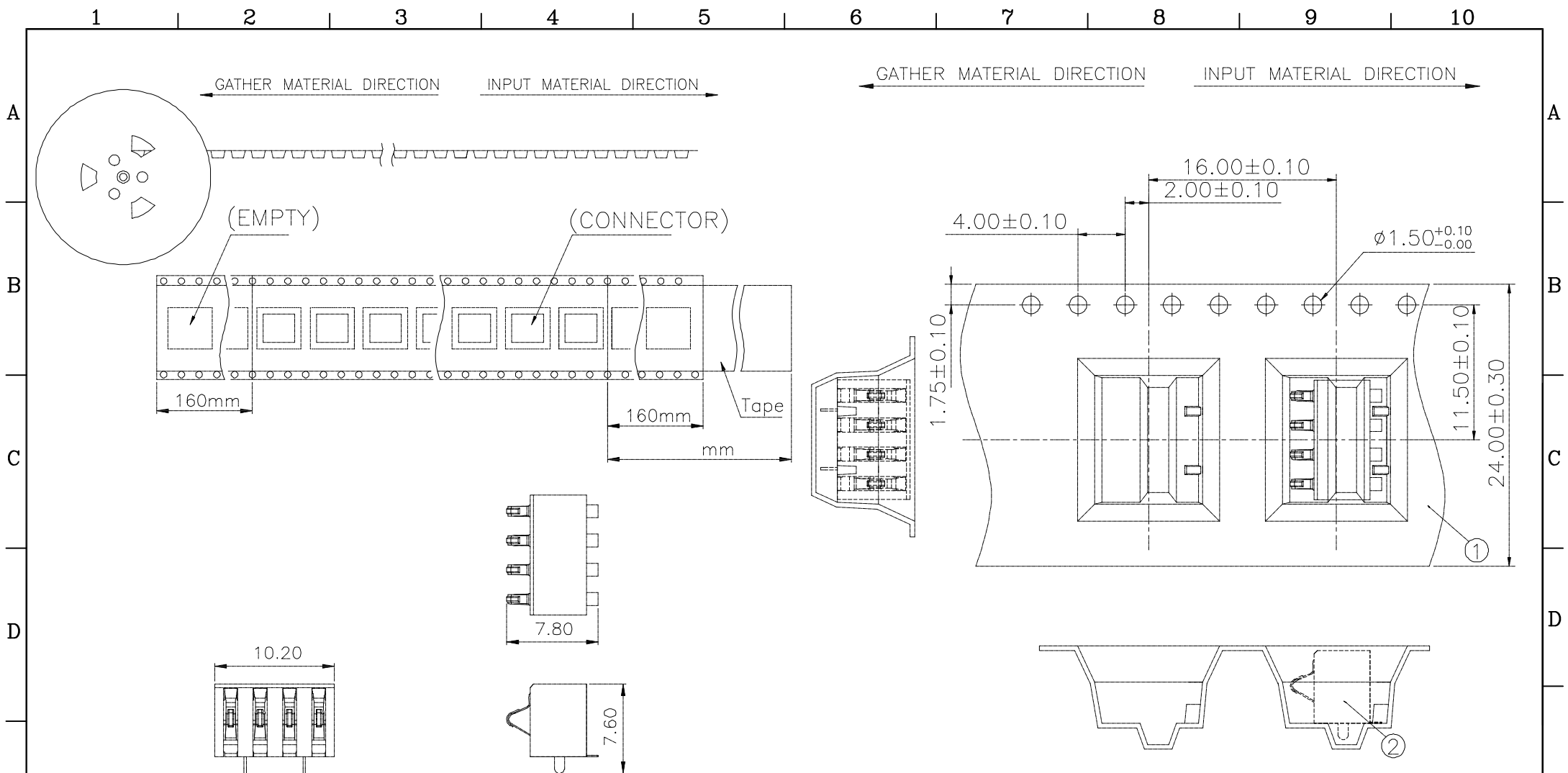
3	FORK	HIGH TEMP.PLASTIC		TIN PLATED OVER Ni
2	HOUSING	HIGH TEMP.PLASTIC	BLACK	UL-94V-0
1	TERMINAL	COPPER ALLOY		GOLD PLATED OVER Ni
	NO. DESCRIPTION	MATERIAL	COLOR	REMARK

<b>PROPRIETARY NOTE:</b> This document contains confidential information and proprietary to Rego Electronics and shall not be reproduced or disclosed to other documents or used for any purpose other than that for which was obtained without the expressed written consent of Rego Electronics.			
.X ± 0.30	APPROVED:	 <a href="http://www.rego.com.tw">http://www.rego.com.tw</a>	TITLE: Spring Type Battery Connector 4 Positions Right Angle
.XX ± 0.20	CHECKED:		
.XXX ± 0.15	DRAWN:		
X* ± 3'			
	UNITS:	SCALE:	PART NO: RG250037-MB004G103ZL
	mm	NONE	SHEET: 1 OF 1

F

A	RELEASE	06.24.2014
REV	DESCRIPTION	DATE


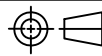
1 2 3 4 5 6 7 8 9 10



NOTE: ALL DIMENSIONS TOLRERANCE ARE:  
 1. ±0.25mm UNLESS OTHERWISE NOTED.  
 2. COMPONENT LOAD BY 13" REEL.

3				
2	PRODUCT			RG250037-MB004G103ZL
1	REEL	PS	BLACK	IPR0151-004-00
	NO. DESCRIPTION	MATERIAL	COLOR	REMARK

**PROPRIETARY NOTE:**  
 This document contains confidential information and proprietary to Rego Electronics and shall not be reproduced or disclosed to other documents or used for any purpose other than that for which was obtained without the expressed written consent of Rego Electronics.

.X ± 0.30	APPROVED:	 <a href="http://www.rego.com.tw">http://www.rego.com.tw</a>
.XX ± 0.20	CHECKED: Chris	
.XXX ± 0.15	Denny	
X* ± 3'	Bryan	
	UNITS: mm	SCALE: NONE
TITLE: Spring Type Battery Connector 4 Positions Right Angle		PART NO: RG250037-MB004G103ZL
SHEET: 1 of 2		

PACKAGE. INFORMATION

PART NUMBER	Q'TY PER REEL	一外箱裝包裝盤	Q'TY PER BOX
RG250037-MB004G103ZL	500 PCS	13 R	6500 PCS

A	RELEASE	06.24.2014
REV	DESCRIPTION	DATE

F

F