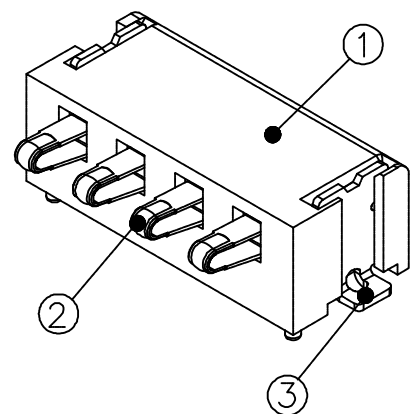


NOTE1:  
 RG250037-MB004G □18ZL  
 1


1. PLATING
  - 'G1,-05u" GOLD OVER NICKEL.
  - G2-GOLD FLASH OVER NICKEL.
  - 'G3,-10u" GOLD OVER NICKEL.
  - 'G4,-15u" GOLD OVER NICKEL.
  - 'G5,-30u" GOLD OVER NICKEL.
2. FORCE  
 F=100g OR MORE PER PIN



RECOMMENDED P.C.B LAYOUT (COMPONENT SIDE)  
 P.C.B THICKNESS=0.90mm(TOLERANCE= ±0.05)

NO.	DESCRIPTION	MATERIAL	COLOR	REMARK
3	FORK	COPPER ALLOY		TIN PLATED OVER NICKEL
2	TERMINAL	COPPER ALLOY		GOLD PLATED OVER NICKEL
1	HOUSING	HIGH TEMP.PLASTIC	BLACK	UL94V-0

PROPRIETARY NOTE:  
 This document contains confidential information and proprietary to Rego Electronics and shall not be reproduced or disclosed to other documents or used for any purpose other than that for which was obtained without the expressed written consent of Rego Electronics.

.X ± 0.30	APPROVED: Chris	 <a href="http://www.rego.com.tw">http://www.rego.com.tw</a>
.XX ± 0.20	CHECKED: Denny	
.XXX ± 0.15	DRAWN: Bryan	
X* ± 3'		
UNITS: mm	SCALE: NONE	TITLE: Spring Type Battery Connector 4 Positions Right Angle
		PART NO: RG250037-MB004Gx18ZL
		SHEET: 1 OF 10

A	RELEASE	06.24.2014
REV	DESCRIPTION	DATE

1 2 3 4 5 6 7 8 9 10

A

B

C

D

E

F

A

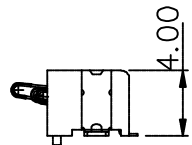
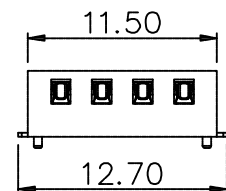
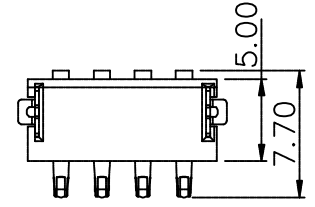
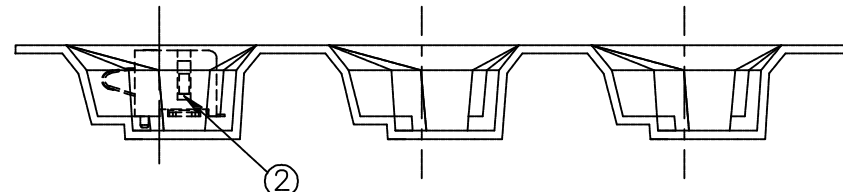
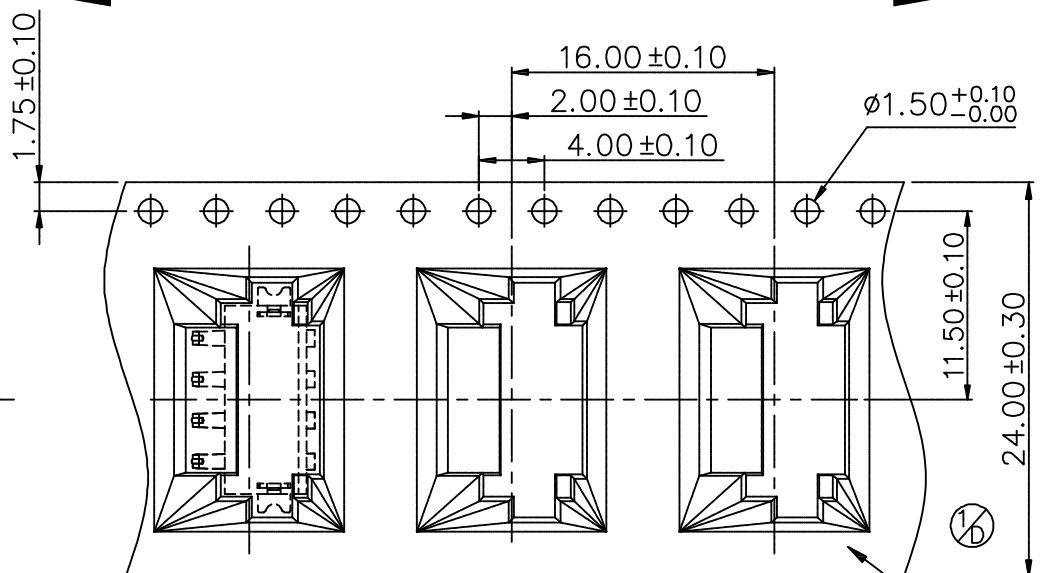
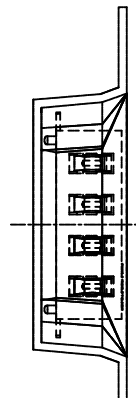
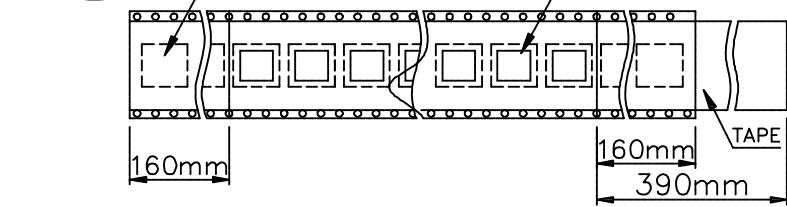
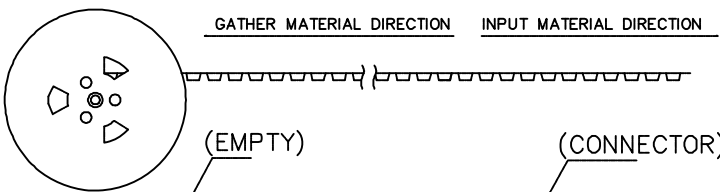
B

C

D

E

F



NOTE: ALL DIMENSIONS TOLERANCE ARE:  
 1. ±0.25mm UNLESS OTHERWISE NOTED.  
 2. COMPONENT LOAD BY 13" REEL.

PACKAGE INFORMATION


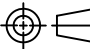
PART NUMBER	Q'TY PER REEL	REEL PER BOX	Q'TY PER BOX
RG250037-MB004GX18ZL	850 PCS	13 R	11050 PCS

REV	RELEASE DESCRIPTION	DATE
A		06.24.2014

3				
2	PRODUCT			RG250037-MB004GX18ZL
1	REEL	PS	BLACK	IPR0151-004-11
	NO. DESCRIPTION	MATERIAL	COLOR	REMARK

PROPRIETARY NOTE:

This document contains confidential information and proprietary to Rego Electronics and shall not be reproduced or disclosed to other documents or used for any purpose other than that for which was obtained without the expressed written consent of Rego Electronics.

.X ± 0.30	APPROVED: Chris	 <a href="http://www.rego.com.tw">http://www.rego.com.tw</a>
.XX ± 0.20	CHECKED: Denny	
.XXX ± 0.15	DRAWN: Bryan	
X* ± 3'		
	UNITS: mm	SCALE: NONE
		TITLE: Spring Type Battery Connector 4 Positions Right Angle
		PART NO: RG250037-MB004GX18ZL
		SHEET: 1 OF 2

1 2 3 4 5 6 7 8 9 10