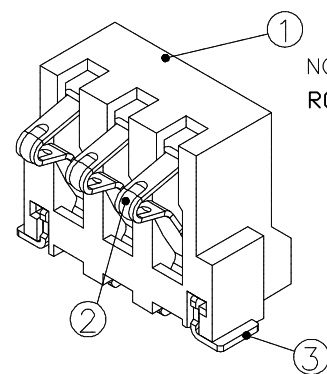
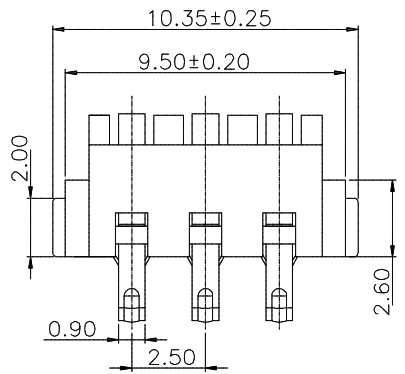


1 2 3 4 5 6 7 8 9 10

A
B
C
D
E
F

A
B
C
D
E
F

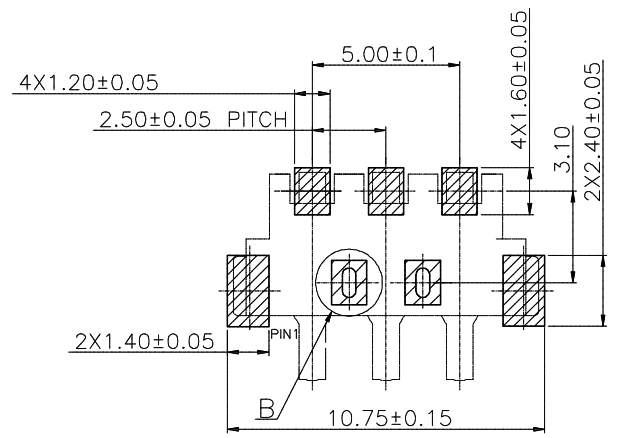
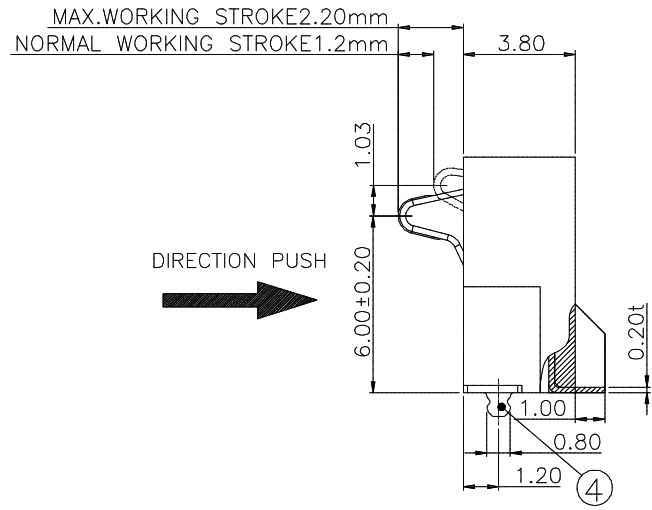
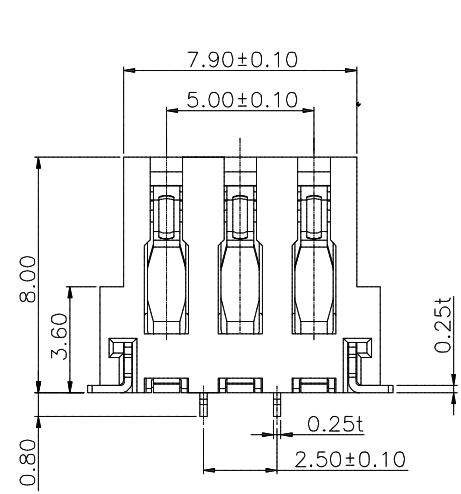


NOTE:
RG250042MB003G□11ZR

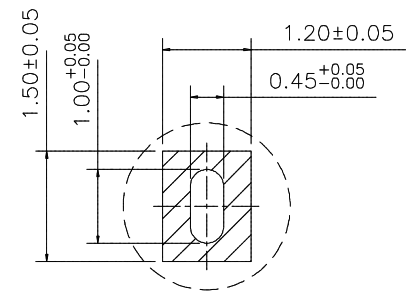
- 1.SELECTIVE PLATING
G1-05u" GOLD OVER NICKEL.
G2-GOLD FLASH OVER 30u"MIN.NICKEL
G3-10u" GOLD OVER NICKEL.
G4-15u" GOLD OVER NICKEL.
G5-30u" GOLD OVER NICKEL.
G6-50u" GOLD OVER NICKEL.

NOTE:
1.PUSH FORCE 51g MIN. ~140g MAX.PER PIN.
2.RATED CURRENT 2.0 AMPERE(MIN)
3.CONTACT RESISTANCE ≤ 20mΩ

RECOMMENDED P.C.B. LAYOUT (COMPONENT SIDE)
P.C.B THICKNESS = 0.8mm (TOLERANCE=±0.05)




X.PER PIN.



DETAIL "B"(10:1)

| NO | DESCRIPTION | MATERIAL | COLOR | REMARK |
|----|-------------|--------------------|-------|----------------|
| 1 | PLASTIC | HIGH TEMP, PLASTIC | BLACK | UL 94V-0 |
| 2 | TERMINAL | COPPER ALLOY | | SELECTIVE GOLD |
| 3 | LATCH | COPPER ALLOY | | TIN PALTED |
| 4 | FORK | METAL | | TIN PALTED |

PROPRIETARY NOTE:
This document contains confidential information and proprietary to Rego Electronics and shall not be reproduced or disclosed to other documents or used for any purpose other than that for which was obtained without the expressed written consent of Rego Electronics.

| | | |
|-------------------------------|-----------------|--|
| .X ± 0.30 | APPROVED: Chris |  http://www.rego.com.tw |
| .XX ± 0.20 | CHECKED: Denny | |
| .XXX ± 0.15 | DRAWN: Bryan | |
| X* ± 3' | | |
| UNITS: mm | SCALE: NONE | TITLE: 2.50 PITCH SPRING BATTERY CONNECTOR |
| PART NO: RG250042-MB003Gx11ZR | | SHEET: 1 OF 1 |

| | | |
|-----|-------------|------------|
| A | RELEASE | 07.07.2006 |
| REV | DESCRIPTION | DATE |

1 2 3 4 5 6 7 8 9 10