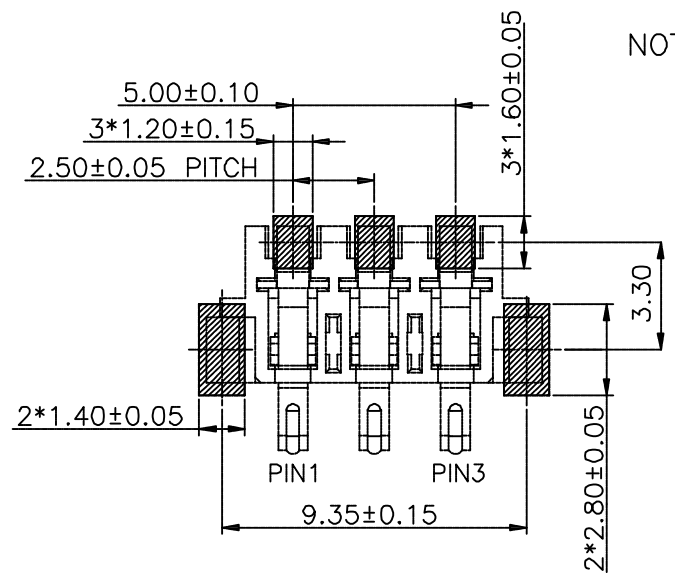
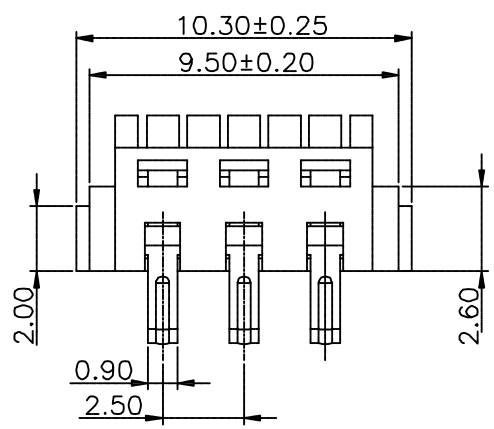
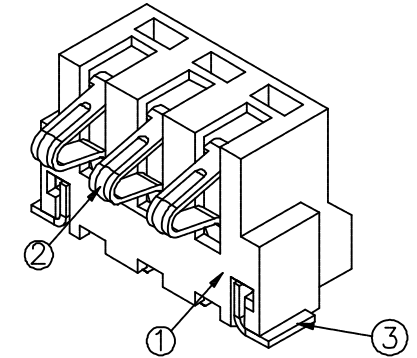


1 2 3 4 5 6 7 8 9 10

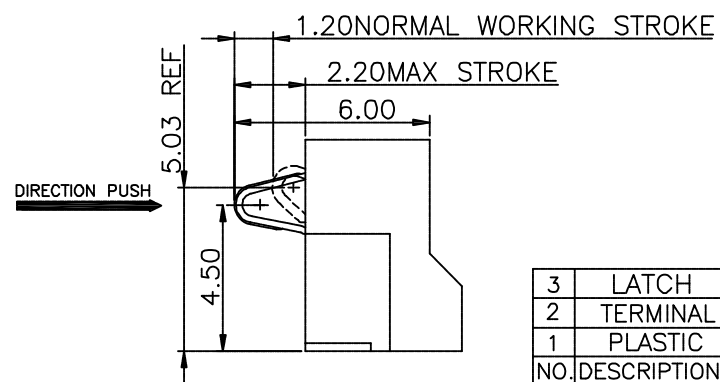
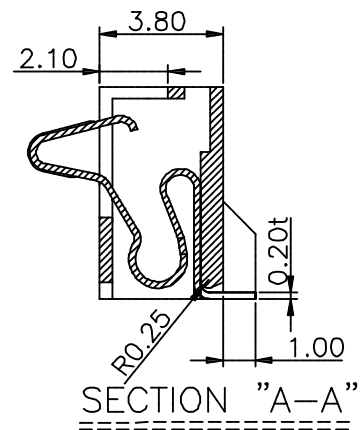
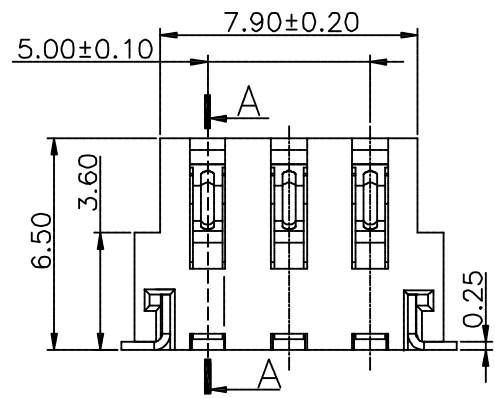
A
B
C
D
E
F



NOTE:
 1.PUSH FORCE 51g MIN. ~140g MAX.PER PIN
 2.RATED CURRENT 2.0 AMPERE(MIN)
 3.CONTACT RESISTANCE ≤ 20 mΩ


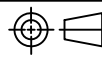


RECOMMENDED P.C.B LAYOUT (COMPONENT SIDE)
 P.C.B THICKNESS = 0.8mm (TOLERANCE=±0.05)



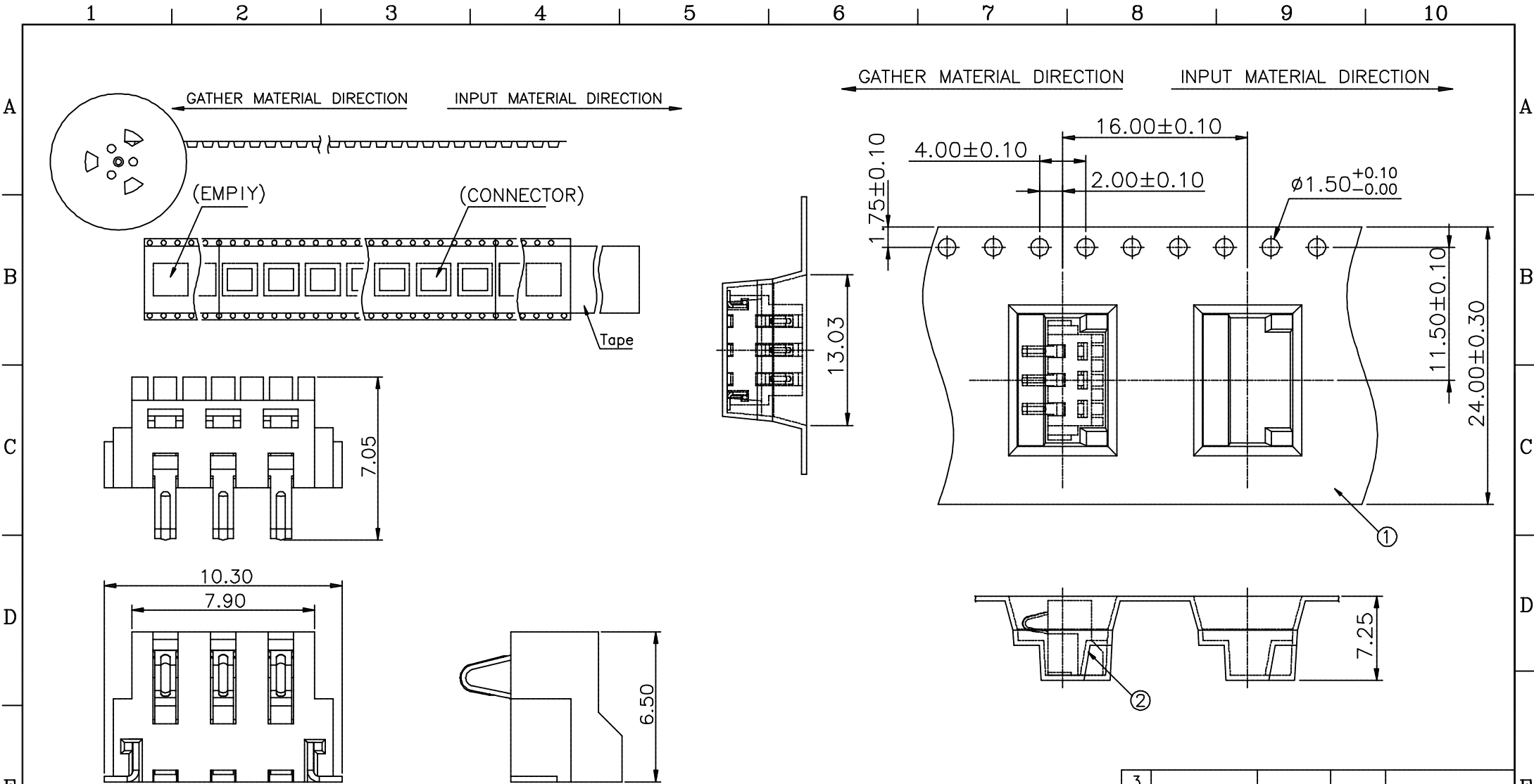
3	LATCH	COPPER ALLOY	TIN PLATED
2	TERMINAL	COPPER ALLOY	GOLD PLATED
1	PLASTIC	HIGH TEMP. PLASTIC	BLACK
NO.	DESCRIPTION	MATERIAL	COLOR
			REMARK
			UL 94V-0

PROPRIETARY NOTE:
 This document contains confidential information and proprietary to Rego Electronics and shall not be reproduced or disclosed to other documents or used for any purpose other than that for which was obtained without the expressed written consent of Rego Electronics.

.X ± 0.30	APPROVED: Chris	 http://www.rego.com.tw
.XX ± 0.20	CHECKED: Denny	
.XXX ± 0.15	DRAWN: Bryan	
X* ± 3'		TITLE: Spring Type Battery Connector 3 Positions Right Angle
	UNITS: mm	SCALE: NONE
		PART NO: RG250042-MB003G506ZR
		SHEET: 1 OF 1

A	RELEASE	06.24.2014
REV	DESCRIPTION	DATE

1 2 3 4 5 6 7 8 9 10



SCALE 4:1

NOTE: ALL DIMENSIONS TOLRERANCE ARE:
 1. ±0.25mm UNLESS OTHERWISE NOTED.
 2. COMPONENT LOAD BY 13" REEL.


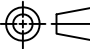
PACKAGE INFORMATION

PART NUMBER	Q'TY PER REEL	一外箱裝包裝量	Q'TY PER BOX
RG250042-MB003G506ZL	600 PCS	13 R	7800 PCS

REV	RELEASE DESCRIPTION	DATE
A		06.24.2014

3				
2	PRODUCT			RG250042-MB003G506ZL
1	REEL	PS	BLACK	IPR0383-003-96
	NO. DESCRIPTION	MATERIAL	COLOR	REMARK

PROPRIETARY NOTE:
 This document contains confidential information and proprietary to Rego Electronics and shall not be reproduced or disclosed to other documents or used for any purpose other than that for which was obtained without the expressed written consent of Rego Electronics.

.X ± 0.30	APPROVED: Chris	 http://www.rego.com.tw	
.XX ± 0.20	CHECKED: Denny		
.XXX ± 0.15	DRAWN: Bryan		
X* ± 3'			
	UNITS: mm	SCALE: NONE	TITLE: Spring Type Battery Connector 3 Positions Right Angle
			PART NO: RG250042-MB003G506ZR
			SHEET: 1 OF 2