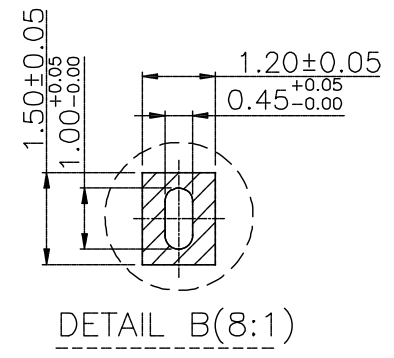
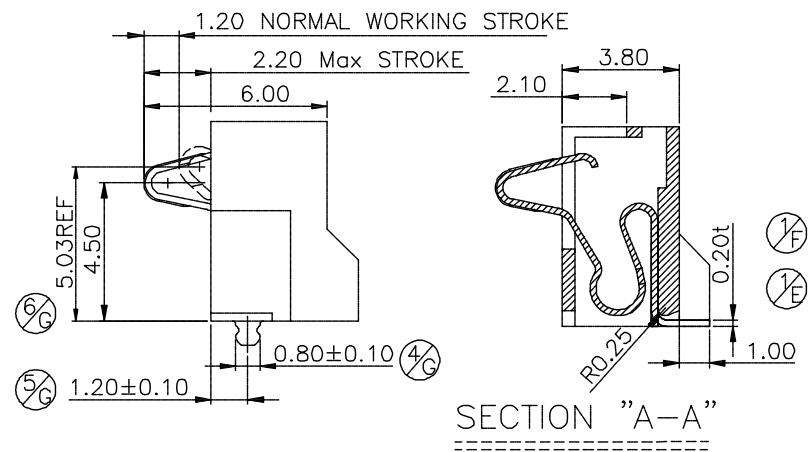
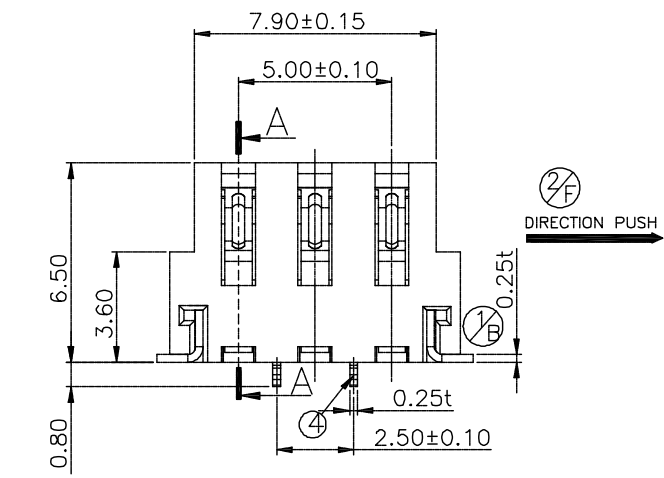
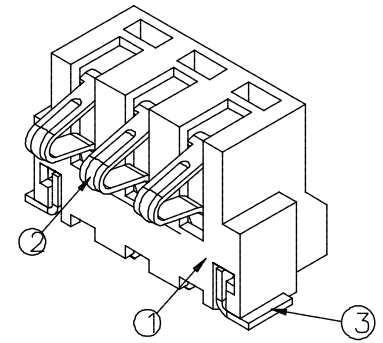
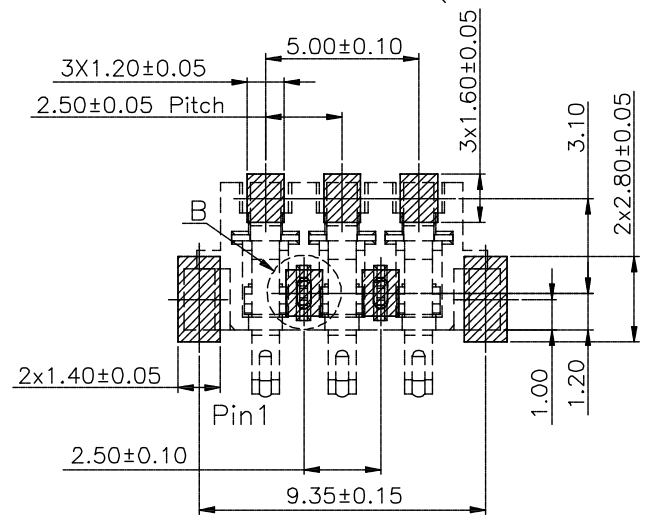
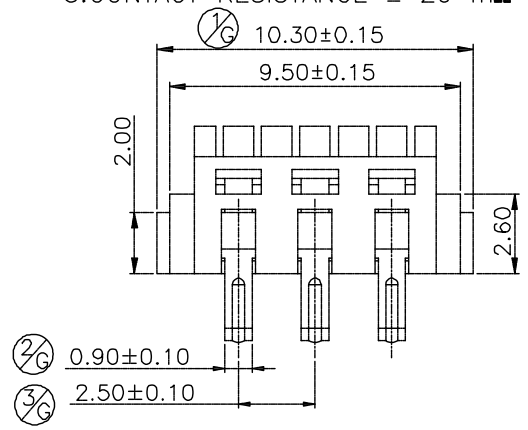


NOTE:  
 1.PUSH FORCE 51g Min. ~140g Max.PER PIN  
 2.RATED CURRENT 2.0 AMPERE(Min)  
 3.CONTACT RESISTANCE  $\leq 20 \text{ m}\Omega$



RECOMMENDED P.C.B LAYOUT (COMPONENT SIDE)  
 P.C.B THICKNESS = 0.8mm (TOLERANCE= $\pm 0.05$ )

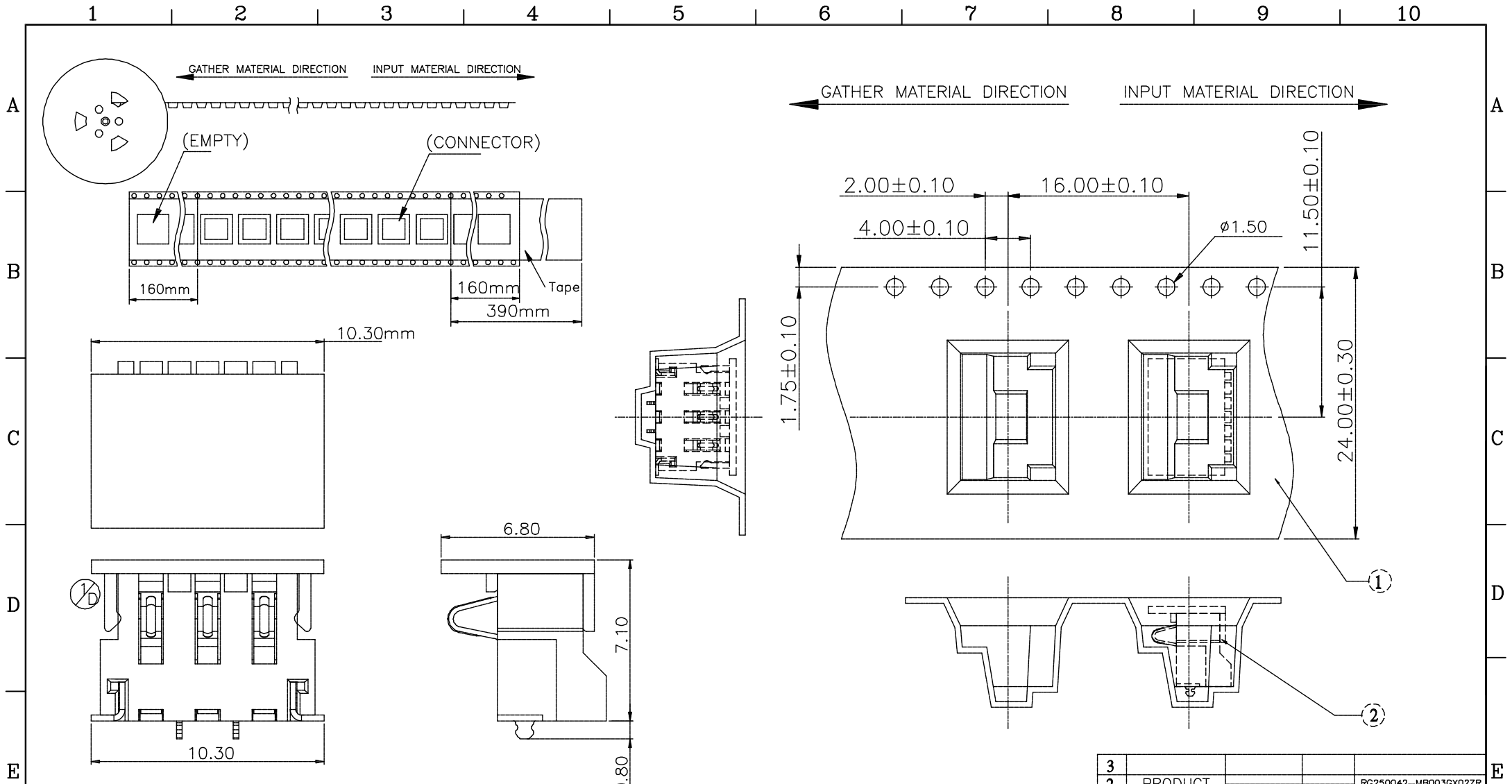


1.P/N:RG250042-MB003GX02ZR  
 TERMINAL PLATED  
 G1,-05u" GOLD OVER NICKEL  
 G2,-GOLD FLASH OVER NICKEL.  
 G3,-10u" GOLD OVER NICKEL  
 G4,-15u" GOLD OVER NICKEL  
 G5,-30u" GOLD OVER NICKEL

4	FORK	METAL	—	TIN PLATED
3	LATCH	COPPER ALLOY	—	TIN PLATED
2	TERMINAL	COPPER ALLOY	—	SELECTIVE GOLD
1	PLASTIC	HIGH TEMP	BLACK	UL 94V-0
NO.	DESCRIPTION	MATERIAL	COLOR	REMARK

A	RELEASE	06.24.2014
REV	DESCRIPTION	DATE

PROPRIETARY NOTE: This document contains confidential information and proprietary to Rego Electronics and shall not be reproduced or disclosed to other documents or used for any purpose other than that for which was obtained without the expressed written consent of Rego Electronics.			
.X $\pm 0.30$	APPROVED:	 <a href="http://www.rego.com.tw">http://www.rego.com.tw</a>	
.XX $\pm 0.20$	CHECKED:		
.XXX $\pm 0.15$	DRAWN:		
X* $\pm 3'$	UNITS:	SCALE:	TITLE: Spring Type Battery Connector 3 Positions Right Angle
	mm	NONE	PART NO:RG250042-MB003GX02ZR
			SHEET: 1 OF 1




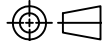
SCALE (4:1)  
 =====

NOTE: ALL DIMENSIONS TOLERANCE ARE:  
 1.  $\pm 0.25\text{mm}$  UNLESS OTHERWISE NOTED.  
 2. COMPONENT LOAD BY 13" REEL.  $\frac{1}{16}$

PACKAGE INFORMATION

PART NUMBER		Q'TY PER REEL
RG250042-MB003GX02ZR		450 pcs
A	RELEASE	06.24.2014
REV	DESCRIPTION	DATE

3				
2	PRODUCT			RG250042-MB003GX02ZR
1	REEL	PS	BLACK	IPR0383-003-02
NO.	DESCRIPTION	MATERIAL	COLOR	REMARK

PROPRIETARY NOTE: <small>This document contains confidential information and proprietary to Rego Electronics and shall not be reproduced or disclosed to other documents or used for any purpose other than that for which was obtained without the expressed written consent of Rego Electronics.</small>			
.X $\pm 0.30$	APPROVED:	 <a href="http://www.rego.com.tw">http://www.rego.com.tw</a>	TITLE: Spring Type Battery Connector 3 Positions Right Angle  PART NO: RG250042-MB003GX02ZR SHEET: 1 OF 2
.XX $\pm 0.20$	CHECKED: Chris		
.XXX $\pm 0.15$	DRAWN: Denny		
X* $\pm 3'$	Bryan		
	UNITS: mm	SCALE: NONE	