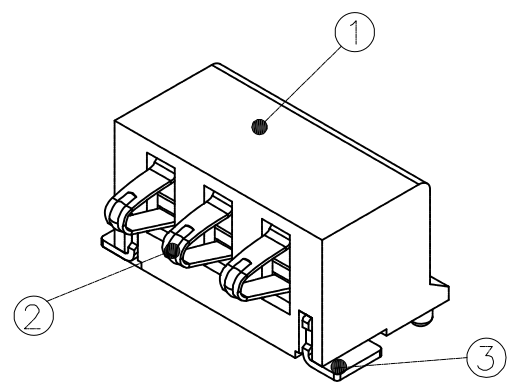
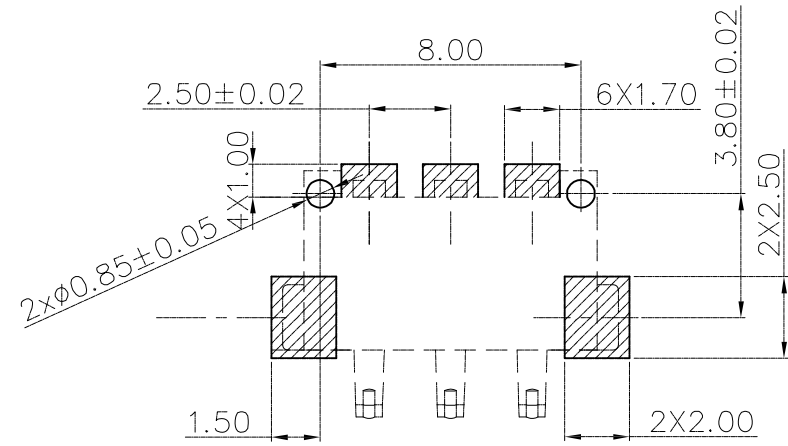
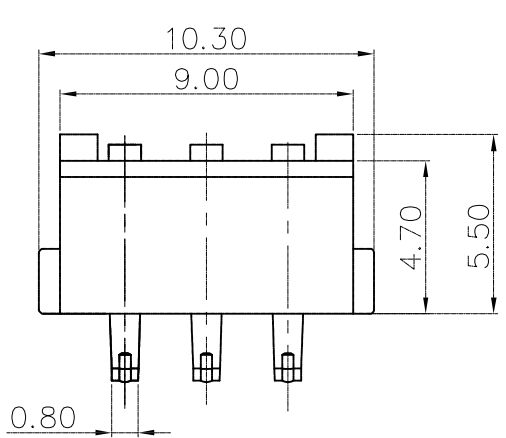
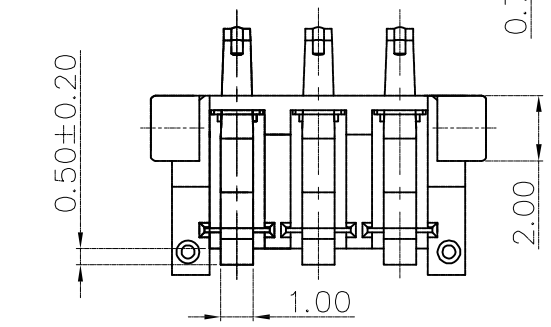
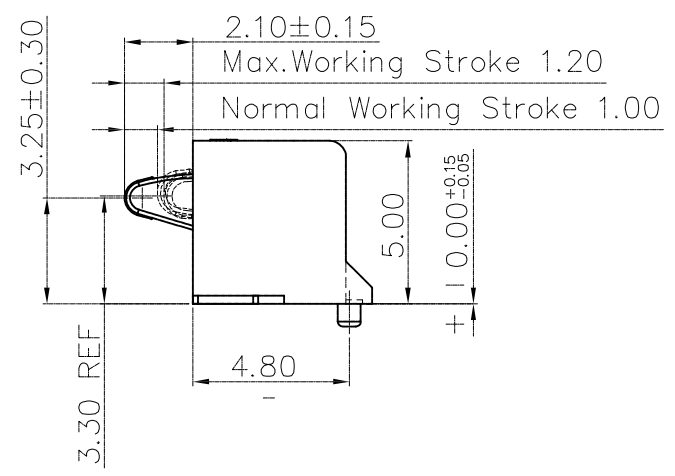
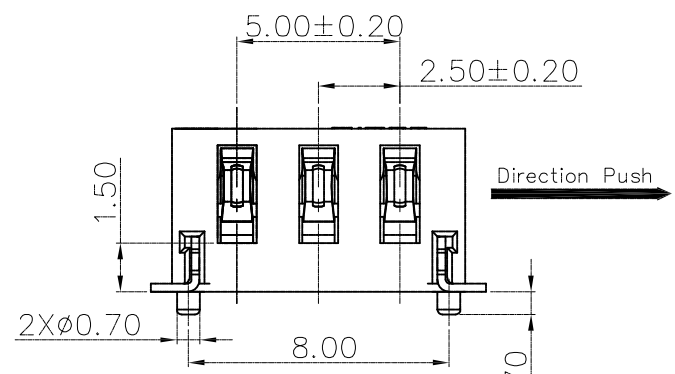


RECOMMENDED P.C.B LAYOUT (Component Side)
P.C.B Thickness=0.90mm(Tolerance=±0.05)




NOTE:
RG250037-MB003□□17ZL

- Selective plating
G1-05u" Gold over Nickel.
G2-Gold flash over Nickel
G3-10u" Gold over Nickel.
G4-15u" Gold over Nickel.
G5-30u" Gold over Nickel.
G6-50u" Gold over Nickel.
- force:
100g Min.~300g Max Per Pin

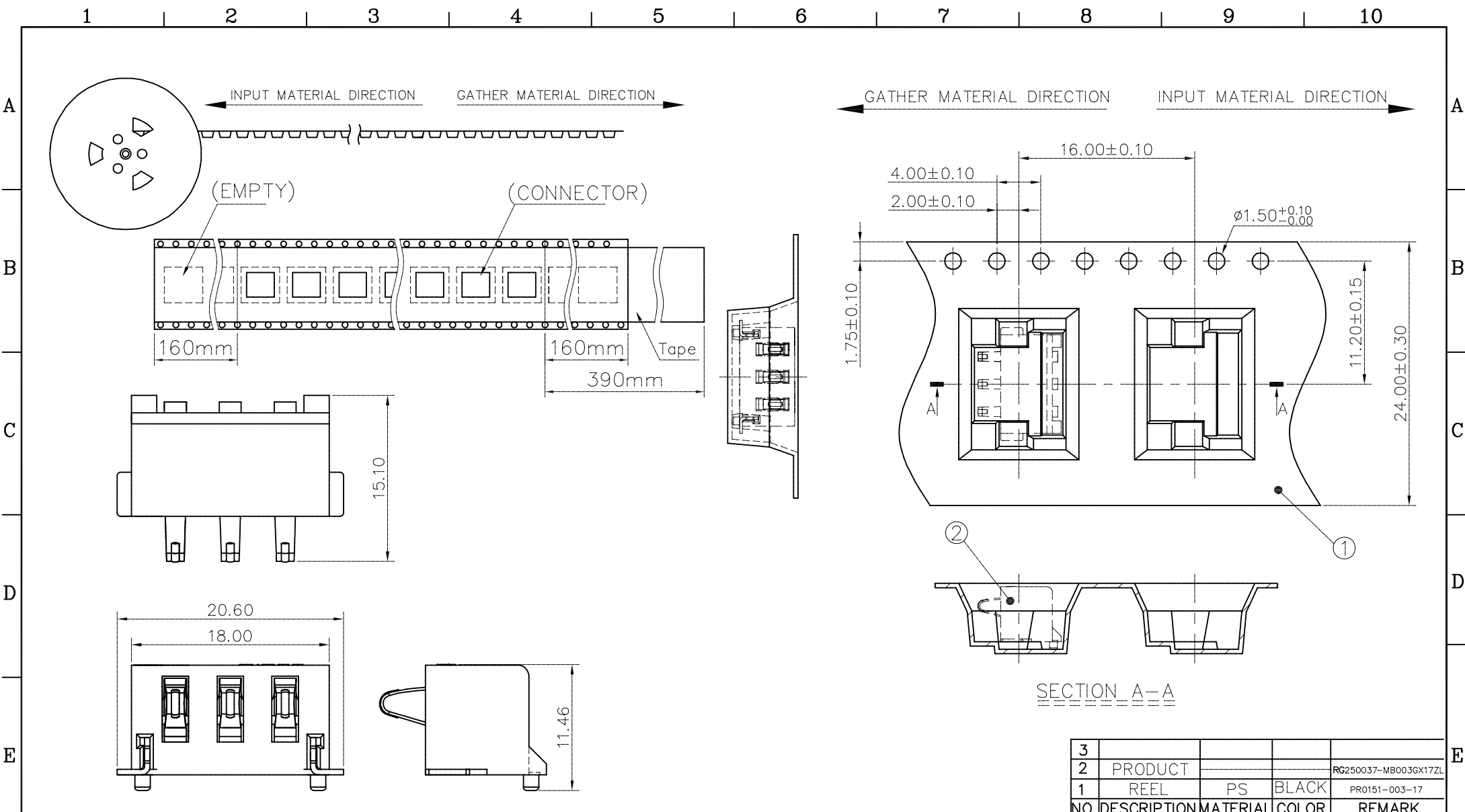


3	FORK	Copper Alloy	—	TIN PLATED OVER Nickel
2	TERMINAL	Copper Alloy	—	GOLD PLATED OVER Nickel
1	HOUSING	High Temp. Plastic	BLACK	UL94V-0
NO.	DESCRIPTION	MATERIAL	COLOR	REMARK

PROPRIETARY NOTE:
This document contains confidential information and proprietary to Rego Electronics and shall not be reproduced or disclosed to other documents or used for any purpose other than that for which was obtained without the expressed written consent of Rego Electronics.

.X ± 0.30	APPROVED: Chris	 http://www.rego.com.tw
.XX ± 0.20	CHECKED: Denny	
.XXX ± 0.15	DRAWN: Bryan	
X* ± 3'		
UNITS: mm	SCALE: NONE	TITLE: Spring Type Battery Connector 3 Positions Right Angle
		PART NO: RG250037-MB003Gx17ZL
		SHEET: 1 OF 1

A	RELEASE	06.24.2014
REV	DESCRIPTION	DATE





SCALE 4:1

1 Package. Information

2 NOTES: 1. Tolerance: ±0.25mm unless otherwise specified.
2. component loaded by 13" reel.

3				
2	PRODUCT			RG250037-MB003GX17ZL
1	REEL	PS	BLACK	PR0151-003-17
	NO. DESCRIPTION	MATERIAL	COLOR	REMARK

PROPRIETARY NOTE: This document contains confidential information and proprietary to Rego Electronics and shall not be reproduced or disclosed to other documents or used for any purpose other than that for which was obtained without the expressed written consent of Rego Electronics.			
.X ± 0.30	APPROVED:	 http://www.rego.com.tw	TITLE: Spring Type Battery Connector 3 Positions Right Angle
.XX ± 0.20	CHECKED: Chris		
.XXX ± 0.15	DENNY		
X* ± 3'	DRAWN: Bryan	PART NO: RG250037-MB003GX17ZL	
	UNITS: mm	SCALE: NONE	SHEET: 1 OF 2

Part Number	Q'ty per reel	
RG250037-MB003GX17ZL	700 pcs	
A	RELEASE	06.24.2014
REV	DESCRIPTION	DATE