

-Materials :

.Insulator: Black plastics (265°C) UL94 V-0

.Plunger: Brass Au over Ni

.Barrel: Brass Au over Ni

.Spring: SUS surface treatment

-Mechanical:

.Spring force: 70g+/-20g at 1.0mm working stroke

.Full stroke: 1.40mm

.Life test: 100,000 cycles

-Electrical:

.Rated current & voltage: DC12V; 3A Max.

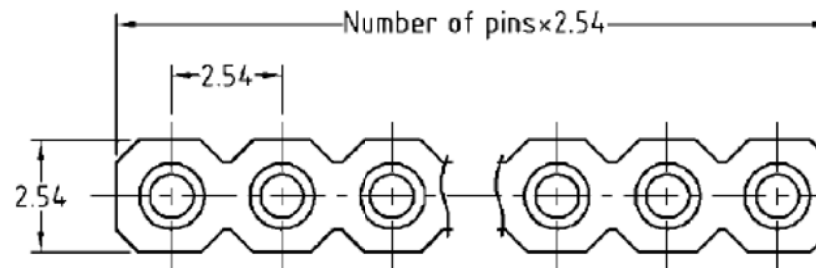
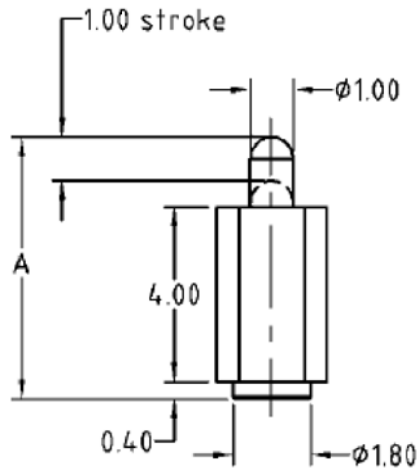
.Contact resistance: 50 milliohm Max.

Initial height-A	hh -code
5.5mm	11
6.0mm	21

p-Barrel	p-Plunger
1-0.125um	1-0.125um
2-0.25um	2-0.25um
3-0.375um	3-0.375um
4-0.5um	4-0.5um
5-0.75um	5-0.75um
...	...


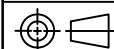
nn -Pins
01~64

Single row series → 903hhpp-Enn100AMF200



PROPRIETARY NOTE:

This document contains confidential information and proprietary to Rego Electronics and shall not be reproduced or disclosed to other documents or used for any purpose other than that for which was obtained without the expressed written consent of Rego Electronics.

.X ± 0.30	APPROVED: Chris	 http://www.rego.com.tw
.XX ± 0.20	CHECKED: Andy	
.XXX ± 0.15	DRAWN: Vic	
X* ± 3'		
	UNITS: mm	SCALE: NONE
PART NO: 903hhpp-Enn100AMF200		TITLE: 2.54mm pitch single row H4.00mm spring loaded connector
SHEET: 1		OF 1

A	01.4.2019
REV	DATE