


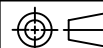
NOTES:

- MATERIAL:
HOUSING :LCP;COLOR:BLACK,UL94 V-0
TERMINAL: PHOSPHOR BRONZE
LATCH:STAINLESS STEEL
- FINISH:
TERMINAL:
NICKEL UNDERPLATING ALL OVER BASE MATERIAL
CONTACT AREA : GOLD PLATING OVER UNDERPLATE
THICKNESS REFER TO PART NO. DESCRIPTION
SOLDER AREA : GOLD FLASH PLATING OVER UNDERPLATE
LATCH:MATTF TIN PLATING OVFR NICKEL.
- PART NO. DESCRIPTION: 8511782-A1B□92A

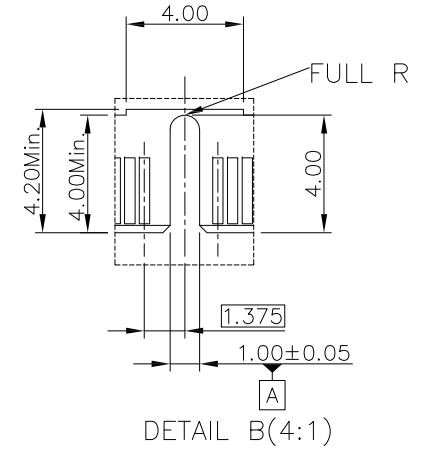
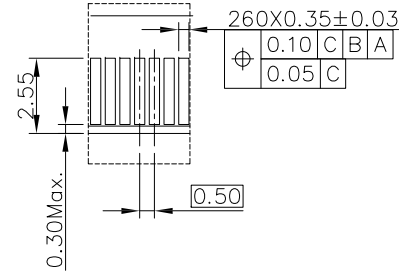
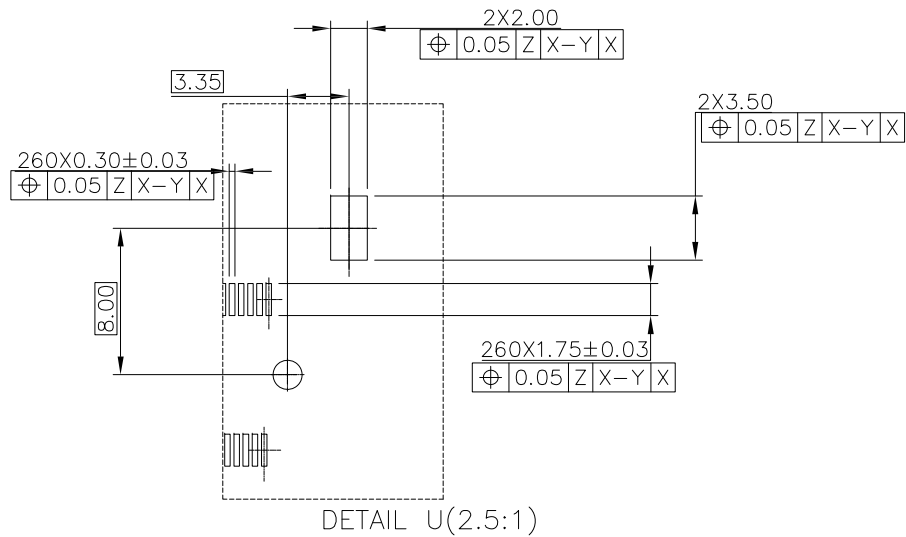
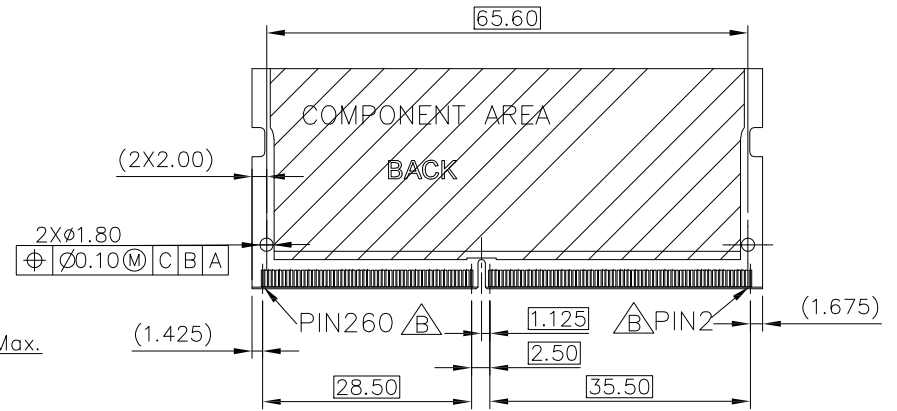
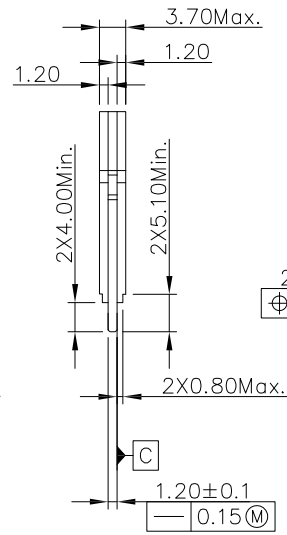
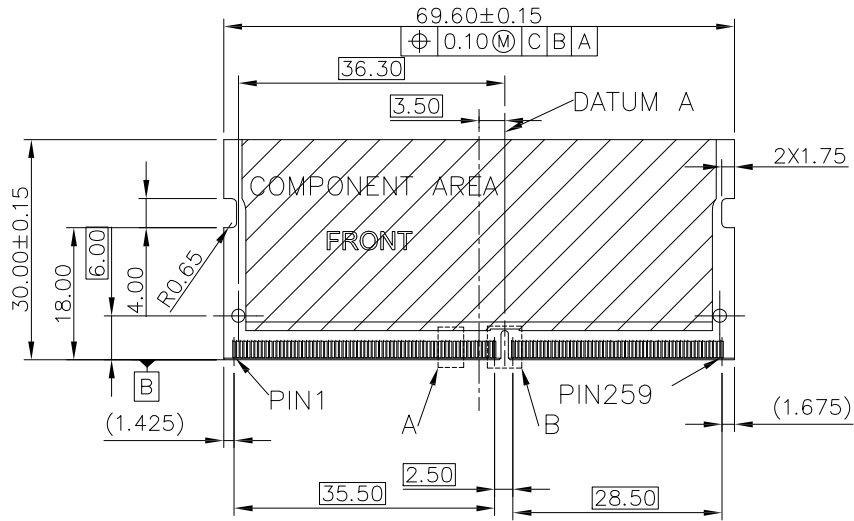
- CONTACT AREA PLATING
- F=GOLD FLASH
- B=5u" GOLD
- C=10u" GOLD
- D=15u" GOLD
- E=30u" GOLD
- G=90u" NICKEL ,15u" GOLD

PROPRIETARY NOTE:

This document contains confidential information and proprietary to Rego Electronics and shall not be reproduced or disclosed to other documents or used for any purpose other than that for which was obtained without the expressed written consent of Rego Electronics.


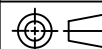
.X ± 0.30	APPROVED: Chris	 http://www.rego.com.tw	
.XX ± 0.20	CHECKED: Denny		
.XXX ± 0.15	DRAWN: Vicky		
X* ± 3'			
	UNITS: mm	SCALE: NONE	TITLE: DDR4 REVERSE H9.2
			PART NO: 8511782-A1BF92A
			SHEET: 1 OF 1

B	03.09.2016
REV	DATE



B	03.09.2016
REV	DATE

PROPRIETARY NOTE:
This document contains confidential information and proprietary to Rego Electronics and shall not be reproduced or disclosed to other documents or used for any purpose other than that for which was obtained without the expressed written consent of Rego Electronics.

.X ± 0.30	APPROVED: Chris	 http://www.rego.com.tw
.XX ± 0.20	CHECKED: Denny	
.XXX ± 0.15	DRAWN: Vicky	
X* ± 3'		
	UNITS: mm	SCALE: NONE
TITLE: DDR4 REVERSE H9.2		PART NO: 8511782-A1BF92A
SHEET: 1		OF 1

1 2 3 4 5 6 7 8 9 10

A A

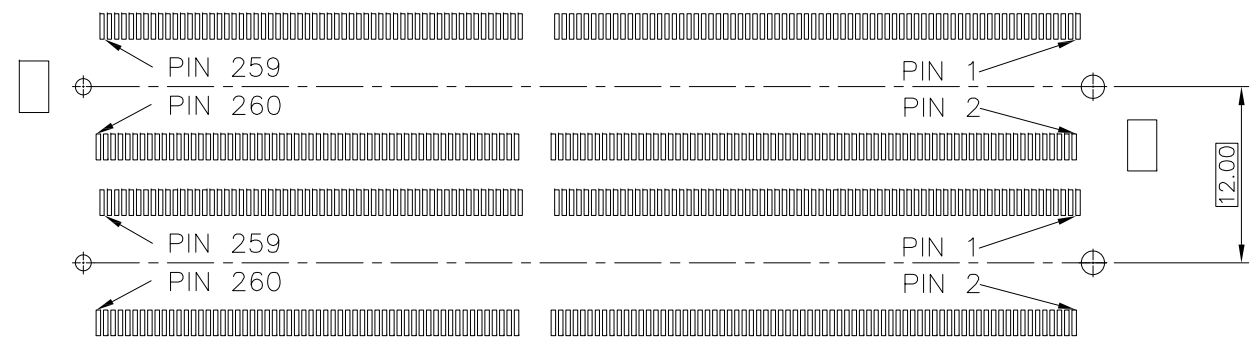
B B

C C

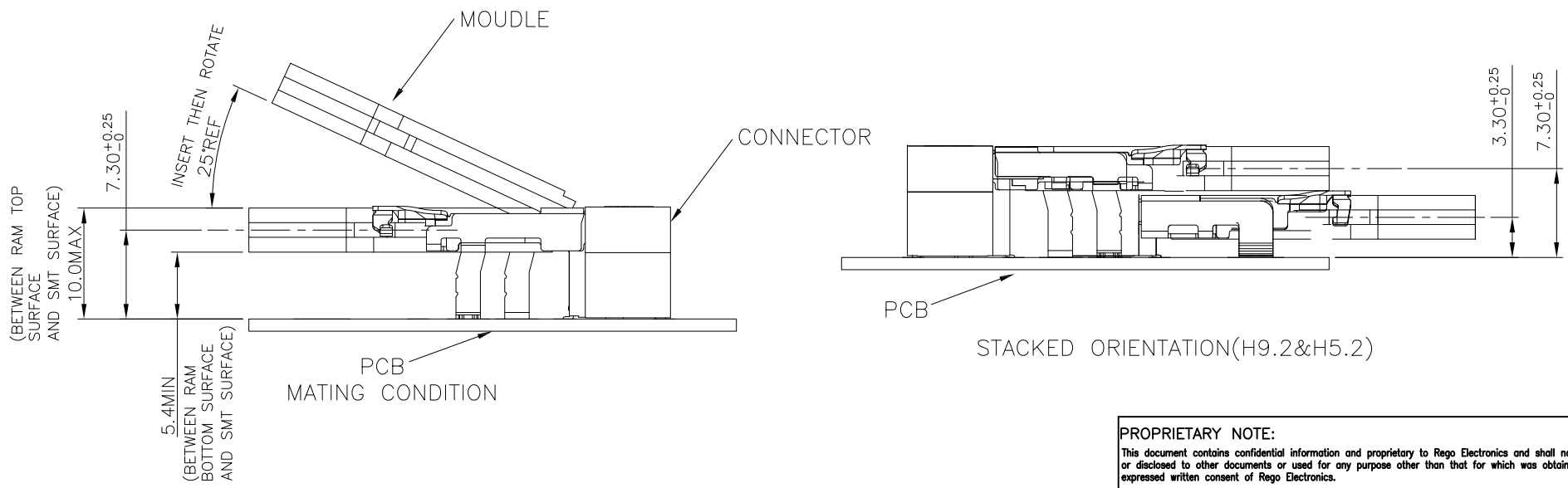
D D

E E

F F


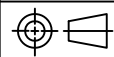


PCB LAYOUT-STACKED REVERSE ORIENTATION



STACKED ORIENTATION(H9.2&H5.2)

B	03.09.2016
REV	DATE

PROPRIETARY NOTE: This document contains confidential information and proprietary to Rego Electronics and shall not be reproduced or disclosed to other documents or used for any purpose other than that for which was obtained without the expressed written consent of Rego Electronics.			
.X ± 0.30	APPROVED: Chris	 http://www.rego.com.tw	
.XX ± 0.20	CHECKED: Denny		
.XXX ± 0.15	DRAWN: Vicky		
X* ± 3'		TITLE: DDR4 REVERSE H9.2	
	UNITS: mm	SCALE: NONE	PART NO: 8511782-A1BF92A
			SHEET: 1 OF 1

1 2 3 4 5 6 7 8 9 10